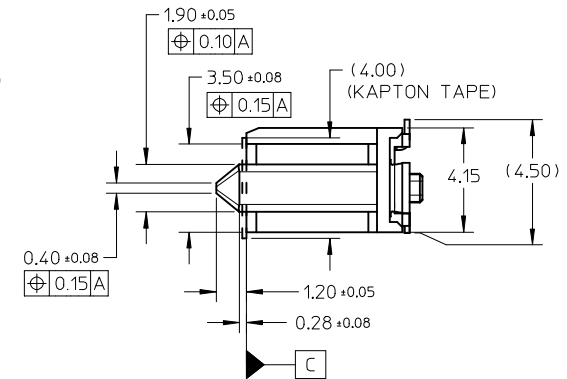
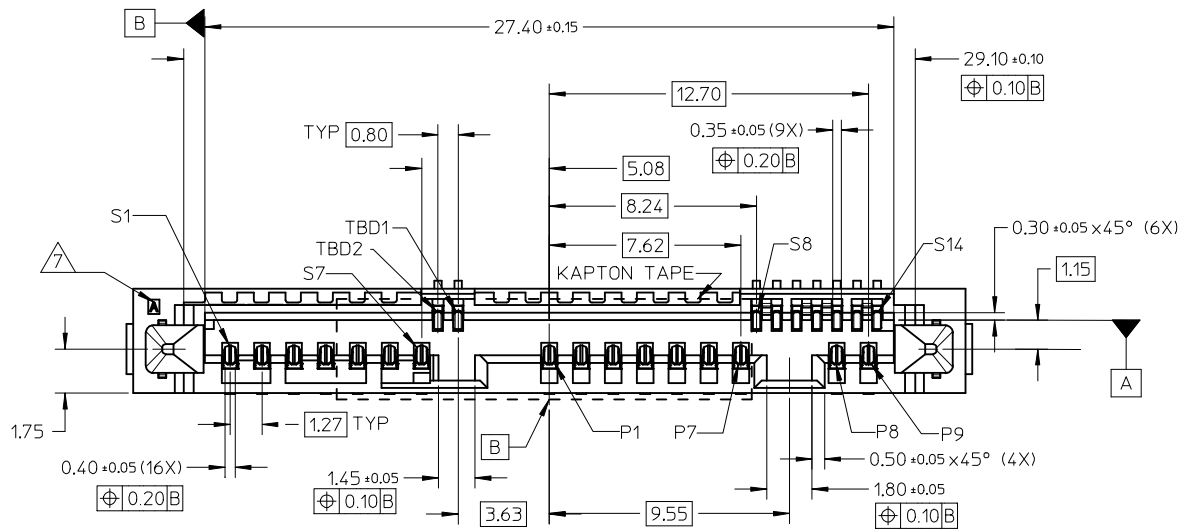


NOTES:

1. MATERIAL : HIGH TEMP THERMOPLASTIC,
GLASS FILLED, UL 94V-0, BLACK
TERMINAL/SOLDER TAB : COPPER ALLOY
2. PLATING :
TERMINAL :
- CONTACT :0.76µm MIN. SELECTIVE GOLD OVER
1.27µm MIN. NICKEL UNDERPLATE
- SOLDER TAIL :2.54µm MIN. TIN OVER
1.27µm MIN. NICKEL UNDERPLATE
SOLDER TAB : 2.54µm MIN. MATTE TIN OVER
1.91µm MIN. NICKEL UNDERPLATE
3. PRODUCT SPECIFICATION : PS-78832-001
4. PACKAGING SPECIFICATION : PK-78832-001
5. REFER TO AS-78832-001 FOR PCB ROUTING RECOMMENDATIONS
6. THIS PRODUCT IS COMPLIANT TO RoHS DIRECTIVE WITH THE FOLLOWING BANNED SUBSTANCES - LEAD, MERCURY, CADMIUM, HEXAVALENT CHROMIUM, POLYBROMINATED BIPHENYLS AND POLYBROMINATED DIPHENYLS ETHERS.
7. MOLEX LOGO AND CAVITY NUMBER LOCATED APPROXIMATELY AS SHOWN
8. NON FUNCTIONAL CORING MAY VARY
9. WHERE DATE CODE "YYDDD",
"YY" MEANS MADE YEAR, "DDD" MEANS MADE DAY.



REVISED DWG REV	DESCRIPTION
IEC NO: S2014-1245	2014/06/16
DRWN: BOKOK	2014/06/16
CHKD: MLONG	2014/06/16
APPR: SHLENI	2014/07/04
REV	REV

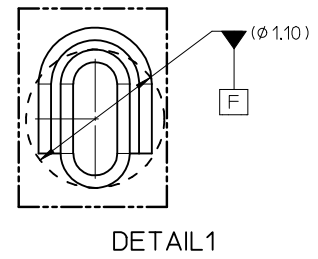
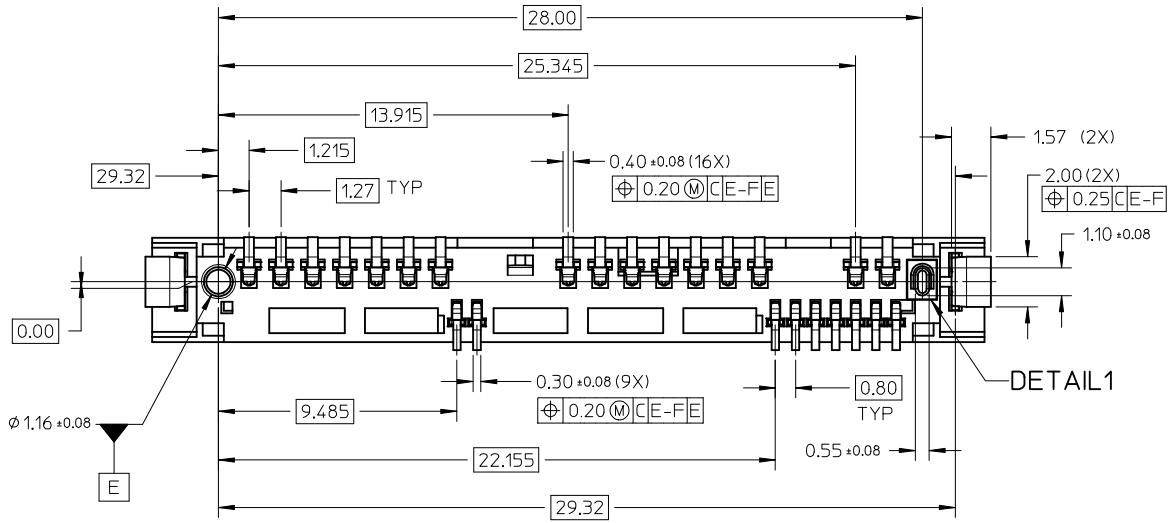
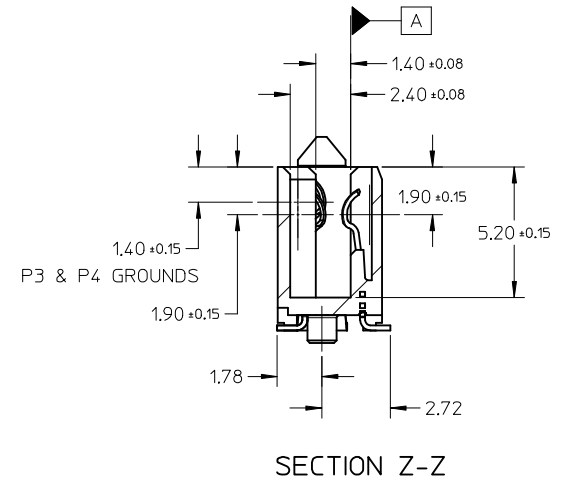
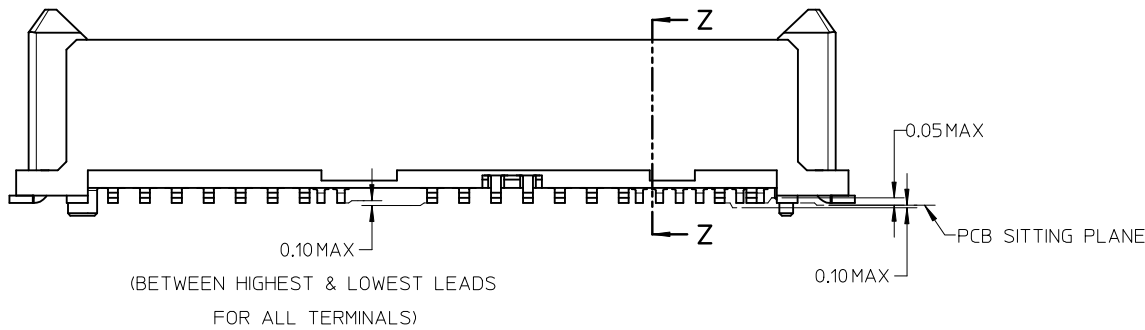
QUALITY SYMBOLS	DESCRIPTION
$F_{\Delta} = 0$	
$F_{\Delta} = 0$	
$F_{\Delta} = 0$	

GENERAL TOLERANCES (UNLESS SPECIFIED)	
	mm INCH
4 PLACES	± --- ± ---
3 PLACES	± --- ± ---
2 PLACES	± 0.20 ± ---
1 PLACE	± --- ± ---
0 PLACE	± --- ± ---
ANGULAR ± 3 °	
DRAFT WHERE APPLICABLE MUST REMAIN WITHIN DIMENSIONS	

DIMENSION STYLE	
MM ONLY	
DRAWN BY	DATE
GMENARLY	2013/03/14
CHECKED BY	DATE
CGOH	2013/04/24
APPROVED BY	DATE
BOKOK	2013/04/24
MATERIAL NO.	78832-0006

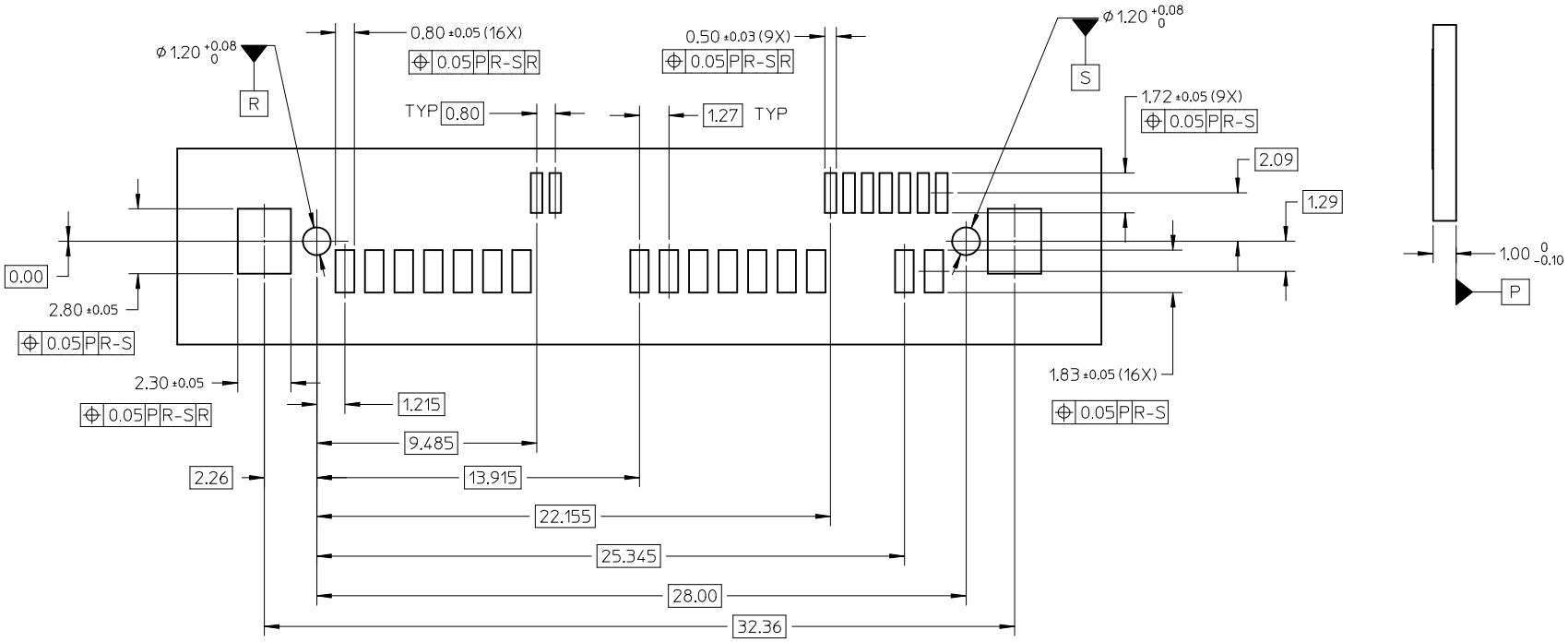
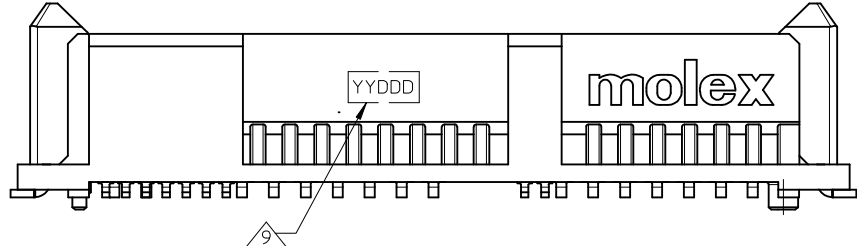
SCALE		DESIGN UNITS		THIRD ANGLE PROJECTION	
NTS		METRIC			
TITLE					
MICROSAS RECEPTACLE					
VERTICAL SMT					
1.8INCH SSD					
molex					
DOCUMENT NO.				SHEET NO.	
SD-78832-001				1 OF 3	
THIS DRAWING CONTAINS INFORMATION THAT IS PROPRIETARY TO MOLEX INCORPORATED AND SHOULD NOT BE USED WITHOUT WRITTEN PERMISSION					

10 9 8 7 6 5 4 3 2 1



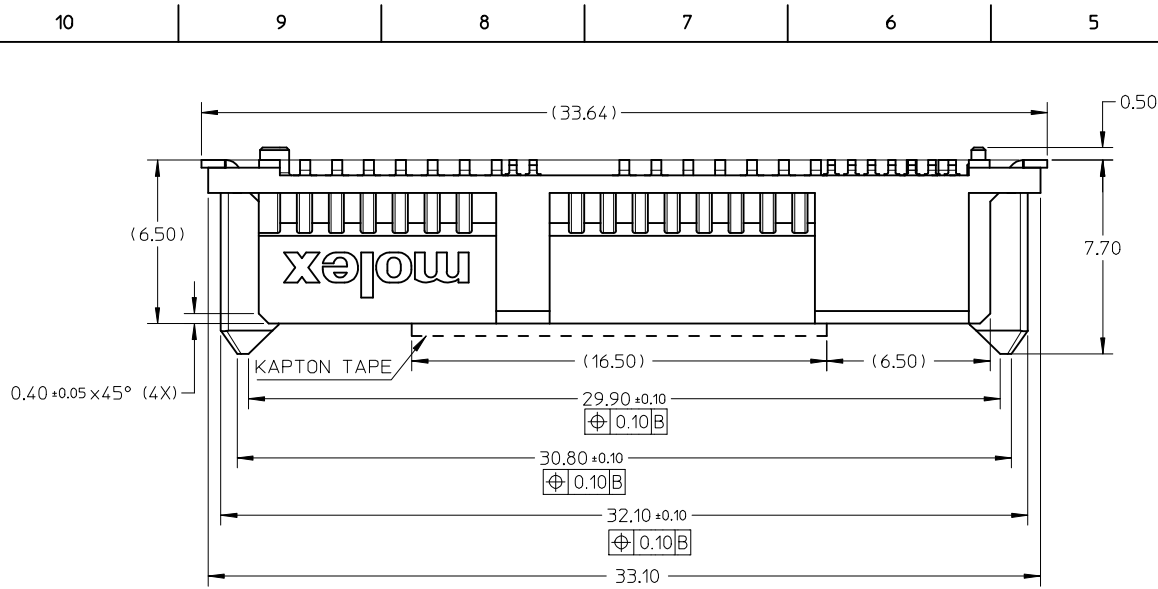
REVISED DWG REV IEC NO: S2014-1245 DRWN: BOKOK CHKD: MLONG APPR: SILENI 2014/06/16 2014/06/16 2014/07/04	QUALITY SYMBOLS $F_A = 0$ $F_B = 0$ $F_C = 0$	GENERAL TOLERANCES (UNLESS SPECIFIED)		DIMENSION STYLE MM ONLY		SCALE NTS	DESIGN UNITS METRIC	THIRD ANGLE PROJECTION		
		4 PLACES ± --- ± ---	mm INCH	DRAWN BY GMENARLY	DATE 2013/03/14	TITLE MICROSAS RECEPTACLE VERTICAL SMT 1.8 INCH SSD				
		3 PLACES ± --- ± ---		CHECKED BY CGOH	DATE 2013/04/24	molex				
		2 PLACES ± 0.20 ± ---		APPROVED BY BOKOK	DATE 2013/04/24					
1 PLACE ± --- ± ---		MATERIAL NO. 78832-0006		DOCUMENT NO. SD-78832-001		SHEET NO. 2 OF 3				
0 PLACE ± --- ± ---		ANGULAR ± 3 °		THIS DRAWING CONTAINS INFORMATION THAT IS PROPRIETARY TO MOLEX INCORPORATED AND SHOULD NOT BE USED WITHOUT WRITTEN PERMISSION						
DRAFT WHERE APPLICABLE MUST REMAIN WITHIN DIMENSIONS										

9 8 7 6 5 4 3 2 1



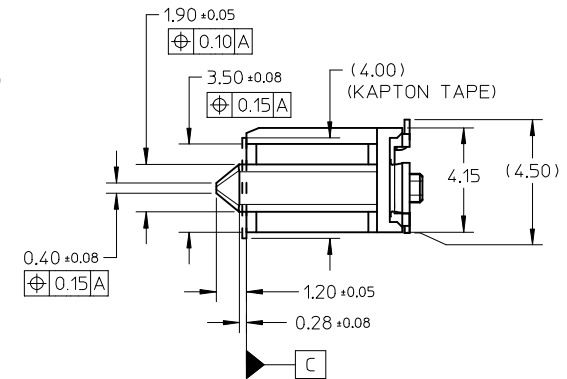
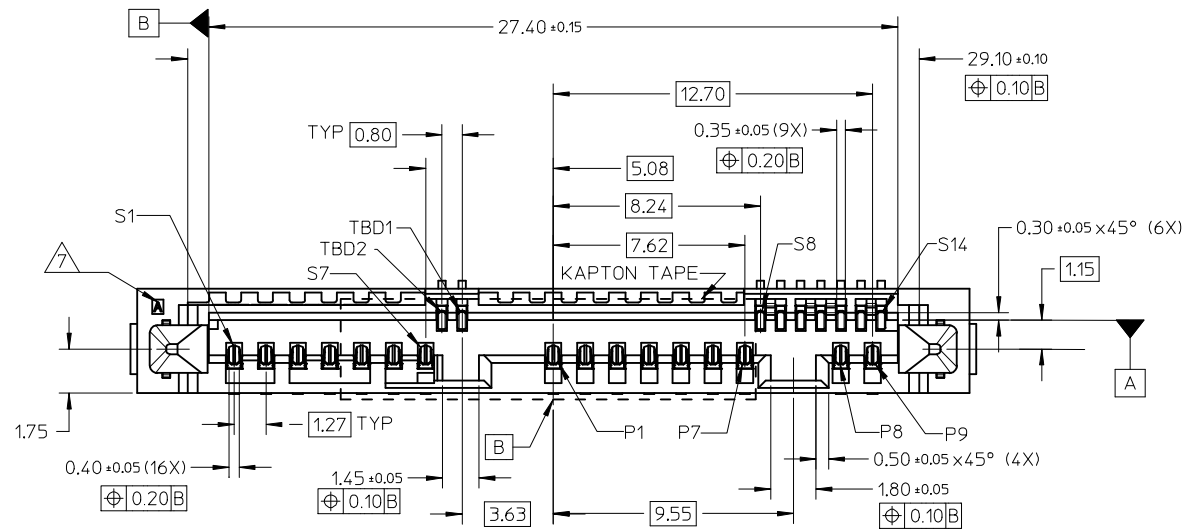
RECOMMENDED PCB LAYOUT

REVISED DWG REV EC NO: S2014-1245 DRWIN:BOKOK 2014/06/16 CHKD:MLONG 2014/06/16 APPR:SHLENI 2014/07/04	QUALITY SYMBOLS $\nabla_F=0$ $\nabla_F=0$ $\nabla_F=0$	GENERAL TOLERANCES (UNLESS SPECIFIED)		DIMENSION STYLE MM ONLY		SCALE NTS	DESIGN UNITS METRIC	THIRD ANGLE PROJECTION		
		4 PLACES ± --- ± ---	mm INCH	DRAWN BY GMENARLY	DATE 2013/03/14	TITLE MICROSAS RECEPTACLE VERTICAL SMT 1.8INCH SSD				
		3 PLACES ± --- ± ---		CHECKED BY CGOH	DATE 2013/04/24	MATERIAL NO. 78832-0006				
		2 PLACES ± 0.20 ± ---		APPROVED BY BOKOK	DATE 2013/04/24	DOCUMENT NO. SD-78832-001	SHEET NO. 3 OF 3			
1 PLACE ± --- ± ---		DRAFT WHERE APPLICABLE MUST REMAIN WITHIN DIMENSIONS		THIS DRAWING CONTAINS INFORMATION THAT IS PROPRIETARY TO MOLEX INCORPORATED AND SHOULD NOT BE USED WITHOUT WRITTEN PERMISSION						
0 PLACE ± --- ± ---		ANGULAR ± 3°								

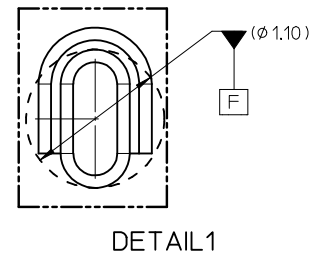
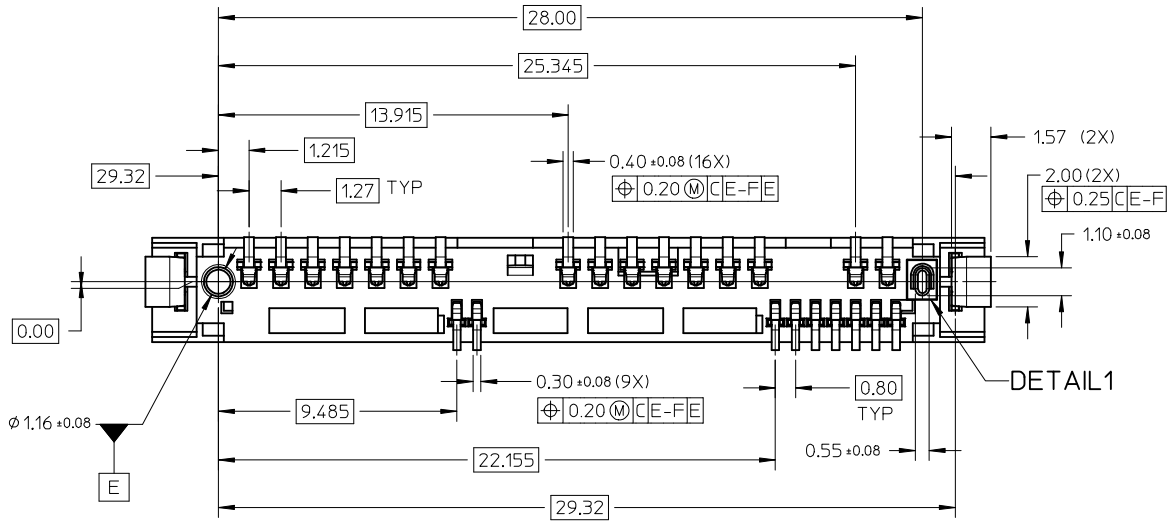
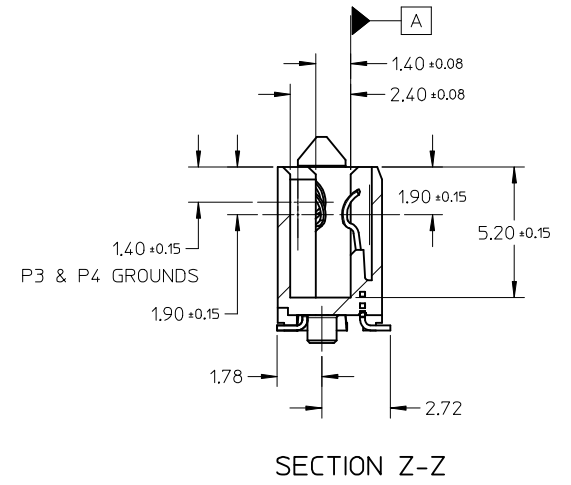
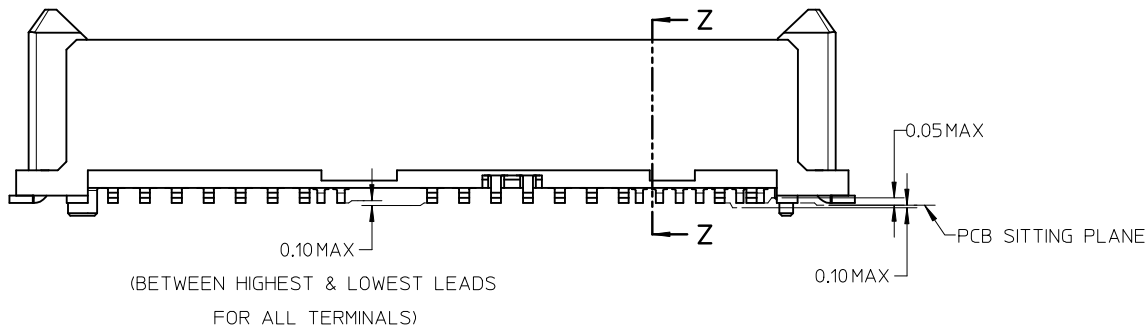


NOTES:

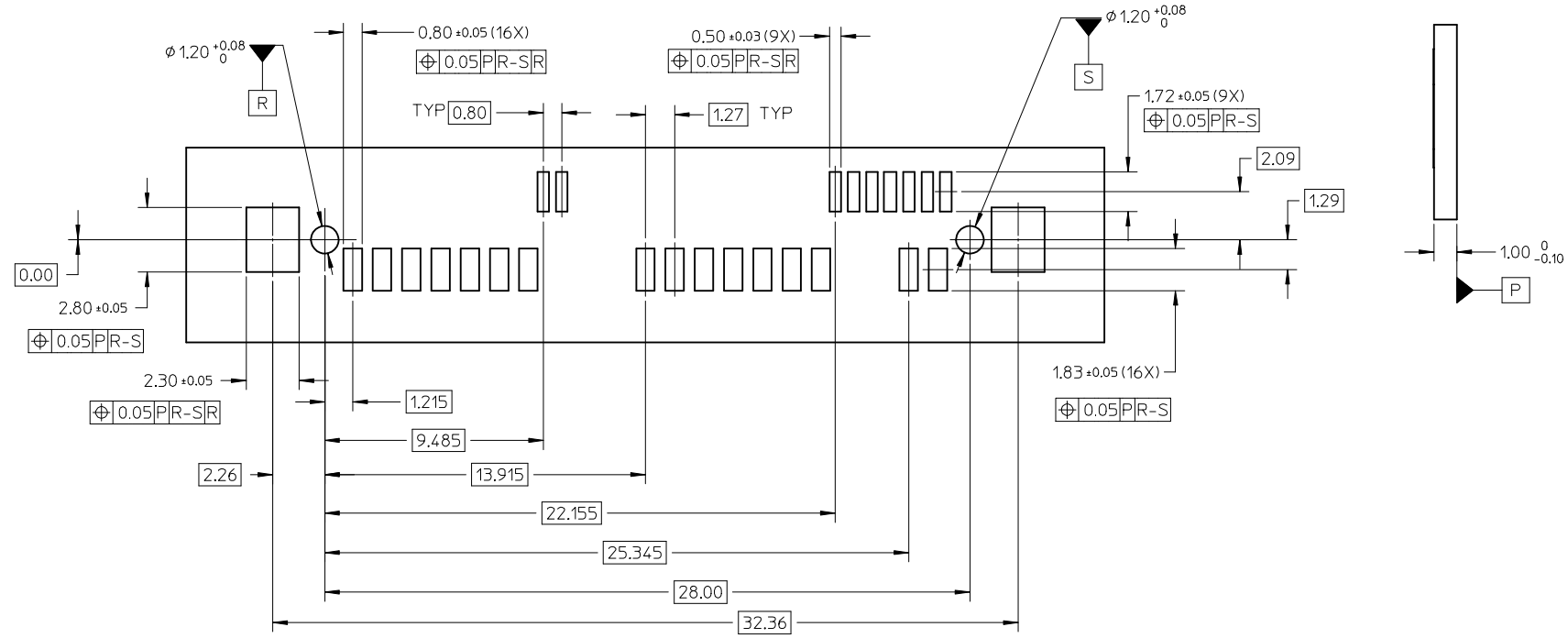
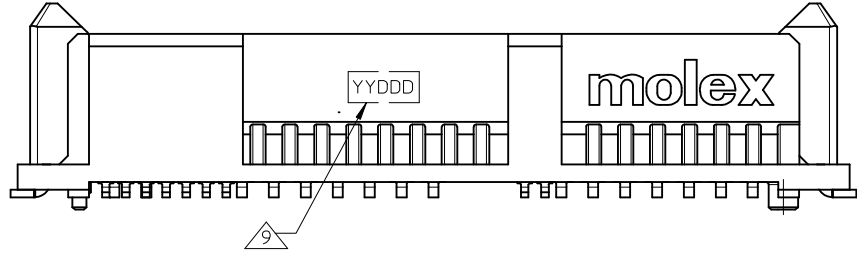
1. MATERIAL : HIGH TEMP THERMOPLASTIC, GLASS FILLED, UL 94V-0, BLACK
TERMINAL/SOLDER TAB : COPPER ALLOY
2. PLATING :
TERMINAL :
- CONTACT :0.76µm MIN. SELECTIVE GOLD OVER
1.27µm MIN. NICKEL UNDERPLATE
- SOLDERTAIL :2.54µm MIN. TIN OVER
1.27µm MIN. NICKEL UNDERPLATE
SOLDER TAB : 2.54µm MIN. MATTE TIN OVER
1.91µm MIN. NICKEL UNDERPLATE
3. PRODUCT SPECIFICATION : PS-78832-001
4. PACKAGING SPECIFICATION : PK-78832-001
5. REFER TO AS-78832-001 FOR PCB ROUTING RECOMMENDATIONS
6. THIS PRODUCT IS COMPLIANT TO RoHS DIRECTIVE WITH THE FOLLOWING BANNED SUBSTANCES - LEAD, MERCURY, CADMIUM, HEXAVALENT CHROMIUM, POLYBROMINATED BIPHENYLS AND POLYBROMINATED DIPHENYLS ETHERS.
7. MOLEX LOGO AND CAVITY NUMBER LOCATED APPROXIMATELY AS SHOWN
8. NON FUNCTIONAL CORING MAY VARY
9. WHERE DATE CODE "YYDDD",
"YY" MEANS MADE YEAR, "DDD" MEANS MADE DAY.



REVISED DWG REV IEC NO: S2014-1245 DRWN: BOKOK 2014/06/16 CH'KD: MLONG 2014/06/16 APPR: SHLENI 2014/07/04	QUALITY SYMBOLS $F_{\Delta} = 0$ $F_{\Delta} = 0$ $F_{\Delta} = 0$	GENERAL TOLERANCES (UNLESS SPECIFIED)		DIMENSION STYLE	SCALE	DESIGN UNITS	THIRD ANGLE PROJECTION	
				MM ONLY	NTS	METRIC		
		4 PLACES	± ---	± ---	DRAWN BY	DATE	TITLE	
		3 PLACES	± ---	± ---	KJKOH	2013/11/21	MICROSAS RECEPTACLE VERTICAL SMT 1.8INCH SSD	
2 PLACES	± 0.20	± ---	CHECKED BY	DATE			SHEET NO. 1 OF 3	
1 PLACE	± ---	± ---	MLONG					
0 PLACE	± ---	± ---	APPROVED BY	DATE	DOCUMENT NO.			
			BOKOK	2014/07/04	78832-0006		SD-78832A-001	
			MATERIAL NO.		78832-0006			
			ANGULAR ± 3°		THIS DRAWING CONTAINS INFORMATION THAT IS PROPRIETARY TO MOLEX INCORPORATED AND SHOULD NOT BE USED WITHOUT WRITTEN PERMISSION			
			DRAFT WHERE APPLICABLE MUST REMAIN WITHIN DIMENSIONS					



REVISED DWG REV IEC NO: S2014-1245 DRWN: BOKOK CHKD: MLONG APPR: SHLENI	2014/06/16 2014/06/16 2014/07/04	DESCRIPTION REV	QUALITY SYMBOLS F _A =0 F _C =0 F _P =0	GENERAL TOLERANCES (UNLESS SPECIFIED)		DIMENSION STYLE MM ONLY	SCALE NTS	DESIGN UNITS METRIC	THIRD ANGLE PROJECTION			
				4 PLACES ± --- ± ---	mm INCH	DRAWN BY KJKOH	DATE 2013/11/21	TITLE MICROSAS RECEPTACLE VERTICAL SMT 1.8INCH SSD molex				
				3 PLACES ± --- ± ---	2 PLACES ± 0.20 ± ---	CHECKED BY MLONG	DATE					
				1 PLACE ± --- ± ---	0 PLACE ± --- ± ---	APPROVED BY SHLENI	DATE 2014/07/04	MATERIAL NO. 78832-0006	DOCUMENT NO. SD-78832A-001	SHEET NO. 2 OF 3		
ANGULAR ± 3 °				DRAFT WHERE APPLICABLE MUST REMAIN WITHIN DIMENSIONS		THIS DRAWING CONTAINS INFORMATION THAT IS PROPRIETARY TO MOLEX INCORPORATED AND SHOULD NOT BE USED WITHOUT WRITTEN PERMISSION						



RECOMMENDED PCB LAYOUT

REVISED DWG REV EC NO: S2014-1245 DRWIN: BOKOK 2014/06/16 CHYKD: MLONG 2014/06/16 APPR: SHLENI 2014/07/04	DESCRIPTION REV	QUALITY SYMBOLS $\nabla = 0$ $\nabla = 0$ $\nabla = 0$	GENERAL TOLERANCES (UNLESS SPECIFIED) mm INCH 4 PLACES ± --- ± --- 3 PLACES ± --- ± --- 2 PLACES ± 0.20 ± --- 1 PLACE ± --- ± --- 0 PLACE ± --- ± ---	DIMENSION STYLE MM ONLY	SCALE NTS	DESIGN UNITS METRIC	THIRD ANGLE PROJECTION
		DRAWN BY: KJKOH CHECKED BY: MLONG APPROVED BY: SHLENI	DATE: 2013/11/21 DATE: _____ DATE: 2014/07/04	TITLE MICROSAS RECEPTACLE VERTICAL SMT 1.8INCH SSD			
		MATERIAL NO. 78832-0006		DOCUMENT NO. SD-78832A-001		SHEET NO. 3 OF 3	
		DRAFT WHERE APPLICABLE MUST REMAIN WITHIN DIMENSIONS					