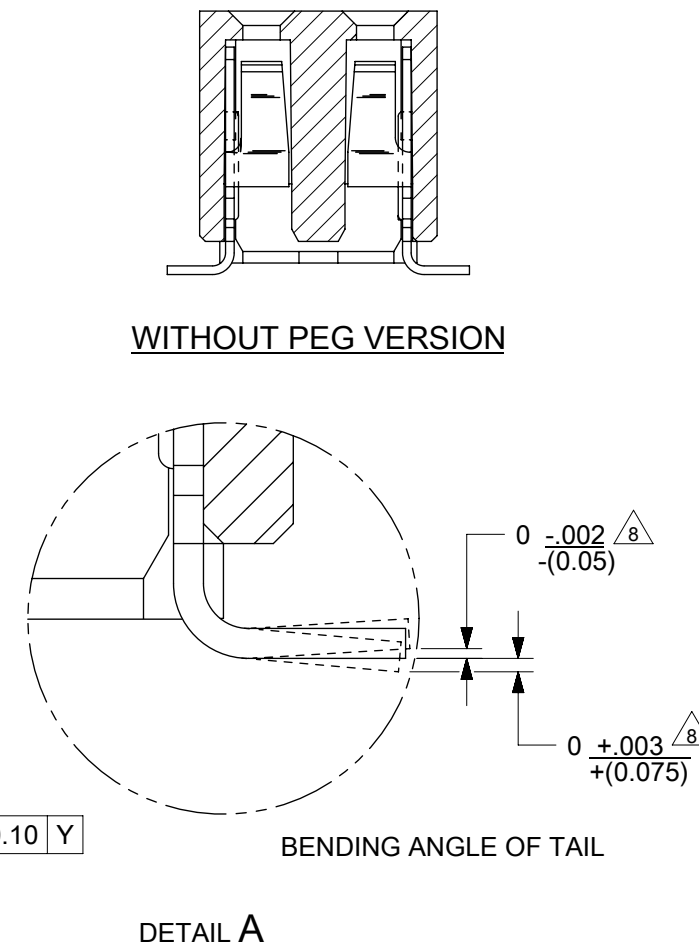
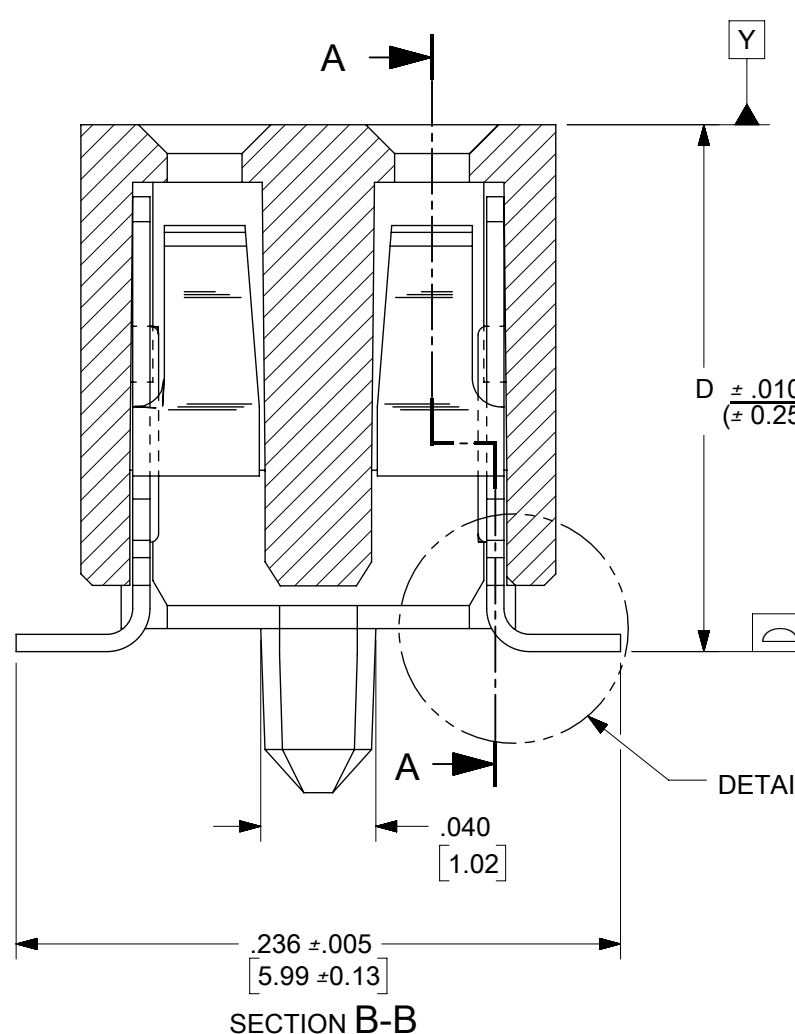


- NOTES:
- HOUSING MATERIAL: LCP GLASS FILLED UL 94V-0 COLOR: BLACK.
 - TERMINAL MATERIAL: PHOSPHOR BRONZE
 - SEE SHEET 2 FOR CIRCUIT SIZE, PART NUMBERS AND OVER-ALL DIMENSIONS.
 - FOR ILLUSTRATION, 6 CIRCUIT ASSEMBLY SHOWN.
 - REFER TO PRODUCT SPECIFICATION PS-79107.
 - TUBE PACKAGING PER PK-70873-0217 OR TAPE PACKAGING PER PK-70873-0259.
- 7 - CKT LOCATIONS ARE NUMBERED FROM LEFT TO RIGHT WHEN VIEWING ASSEMBLY FROM TOP WITH THE GATE RECESS ON THE RIGHT AS SHOWN.
- 8 - MEASUREMENT IS TAKEN BETWEEN THE TANGENT OF THE TOE TO TIP OF TERMINAL.

PLATING:
 15 μ"/ 0.38 μm MIN. GOLD PLATE IN CONTACT AREA
 75 μ"/1.9 μm MIN. TIN IN SOLDER AREA.
 BOTH OVER 50 μ"/1.27 μm MIN. NICKEL OVERALL.



THIS DRAWING CONTAINS INFORMATION THAT IS PROPRIETARY TO MOLEX ELECTRONIC TECHNOLOGIES, LLC AND SHOULD NOT BE USED WITHOUT WRITTEN PERMISSION		CURRENT REV DESC: ADDED BTB DIST.		molex	
GENERAL TOLERANCES (UNLESS SPECIFIED)		EC NO: 619055			
4 PLACES ±		DRWN: RMV02 2018/10/04		PRODUCT CUSTOMER DRAWING	
3 PLACES ± 0.008		CHK'D: NMANE02 2019/07/09		DOCUMENT NUMBER	
2 PLACES ± 0.2		APPR: MRAMAKRISHNA 2019/07/09		SD-79109-001	
1 PLACE ±		INITIAL REVISION:		DOC TYPE	
0 PLACES ±		DRWN: KSEE 2003/11/11		PSD	
ANGULAR TOL ± 3.0°		APPR: PTLIM 2003/12/15		DOC PART	
DRAFT WHERE APPLICABLE MUST REMAIN WITHIN DIMENSIONS		THIRD ANGLE PROJECTION		REVISION	
		DRAWING		001	
		SERIES		D	
		MATERIAL NUMBER		SEE TABLE	
		CUSTOMER		GENERAL MARKET	
		SHEET NUMBER		1 OF 2	

BOARD TO BOARD (BTB) DISTANCE

RECEPTACLE	MATES WITH(HEADER)	BTB DISTANCE	PICTORIAL VIEW
79109	87831	7.15	
	87832	8.35	
	151117	7.15	
	151118	8.35	

THIS DRAWING CONTAINS INFORMATION THAT IS PROPRIETARY TO MOLEX ELECTRONIC TECHNOLOGIES, LLC AND SHOULD NOT BE USED WITHOUT WRITTEN PERMISSION													
DIMENSION UNITS		SCALE		CURRENT REV DESC: ADDED BTB DIST.						molex			
mm		NTS											
GENERAL TOLERANCES (UNLESS SPECIFIED)				EC NO: 619055		2018/10/04		2MM DUAL ROW VERTICAL RECEPTACLE					
				DRWN: RMV02		2019/07/09							
				CHK'D: NMANE02		2019/07/09		PRODUCT CUSTOMER DRAWING					
				APPR: MRAMAKRISHNA		2019/07/09							
				INITIAL REVISION:				DOCUMENT NUMBER		DOC TYPE	DOC PART	REVISION	
				DRWN: DRWN BY		XXXX/XX/XX		SD-79109-001		PSD	001	D	
				APPR: APPR BY		XXXX/XX/XX							
				ANGULAR TOL ± 3.0°									
DRAFT WHERE APPLICABLE MUST REMAIN WITHIN DIMENSIONS				THIRD ANGLE PROJECTION		DRAWING		SERIES		MATERIAL NUMBER		CUSTOMER	SHEET NUMBER
						A3-SIZE		79109		GENERAL MARKET		2 OF 2	