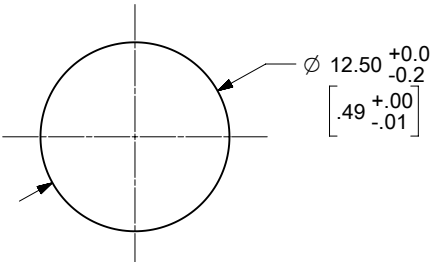
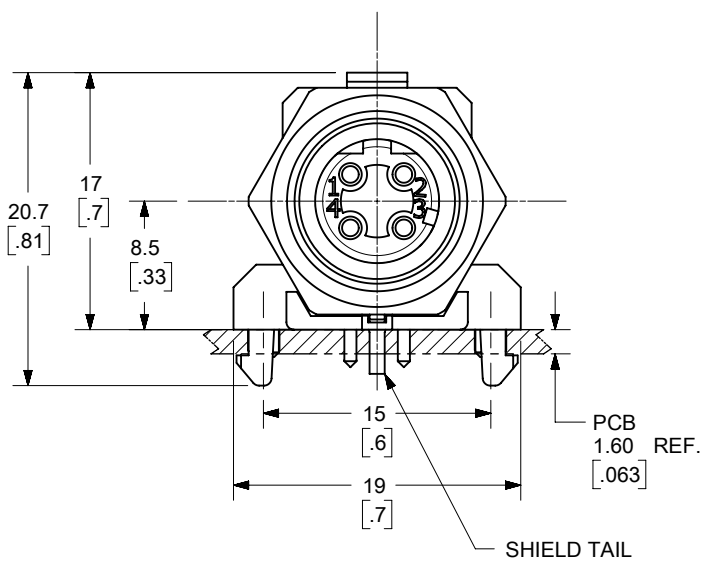
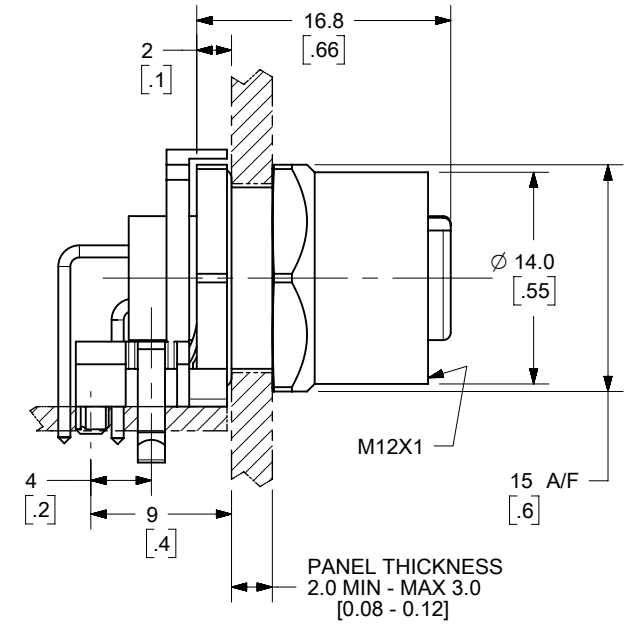
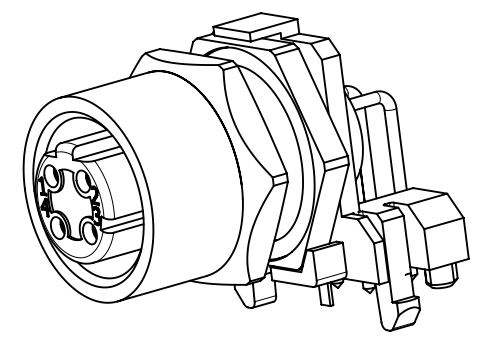
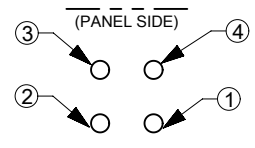


SCALE 5:1

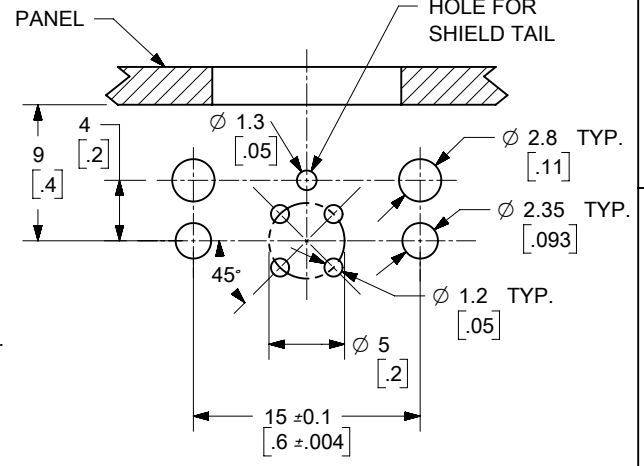
PANEL HOLE



PCB PINOUT



PCB HOLE LAYOUT
PCB 1.60 MM



MECHANICAL:
CONTACT: CuZn WITH Ni/Au PLATING
INSERT: PA, BLACK
O-RINGS: FPM (MATING) AND NBR (PANEL/INTERNAL)
HOUSING: CuZn WITH Ni PLATING
GROUND TAIL: STEEL WITH Ni PLATING

RECOMMENDED TORQUE: 0.8-1 Nm

ELECTRICAL:
VOLTAGE: 250V PER IEC 61076-2-101
CURRENT: 4A AT 40°C PER IEC 61076-2-101

ENVIRONMENTAL:
IP67 ONLY WHEN MATED
-40°C TO +85°C

THIS DRAWING CONTAINS INFORMATION THAT IS PROPRIETARY TO MOLEX ELECTRONIC TECHNOLOGIES, LLC AND SHOULD NOT BE USED WITHOUT WRITTEN PERMISSION											
QUALITY SYMBOLS	2017/07/19 2017/07/21 2017/07/21 RELEASED EC NO: 119595 DRWN: MZIELINSKI CHK'D: BPATTERSON REV / APPR: BWOODMAN	GENERAL TOLERANCES (UNLESS SPECIFIED)		DIMENSION UNITS	SCALE						
		ANGULAR TOL ± °		HYBRID	2:1						
▽ = 0	A1	4 PLACES ±	KCOX01	2017/03/09		MIC 4P F/FR 90D PCB MOUNT D-CODE					
▽ = 0		3 PLACES ±	MZIELINSKI	2017/03/09							
▽ = 0		2 PLACES ±	BWOODMAN	2017/03/21		PRODUCT CUSTOMER DRAWING					
▽ = 0		1 PLACE ±	DRAWING SIZE	THIRD ANGLE PROJECTION			SERIES	MATERIAL NUMBER	CUSTOMER		
▽ = 0		0 PLACES ±	A				120109	1201090033			
▽ = 0		DRAFT WHERE APPLICABLE MUST REMAIN WITHIN DIMENSIONS					DOCUMENT NUMBER	DOC TYPE	DOC PART	SHEET NUMBER	
▽ = 0							1201090033	PSD	000	1 OF 1	