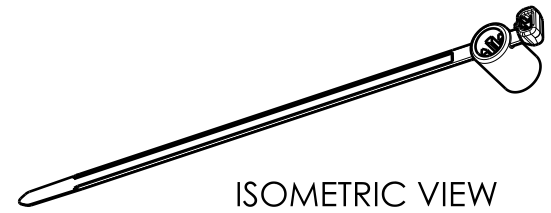
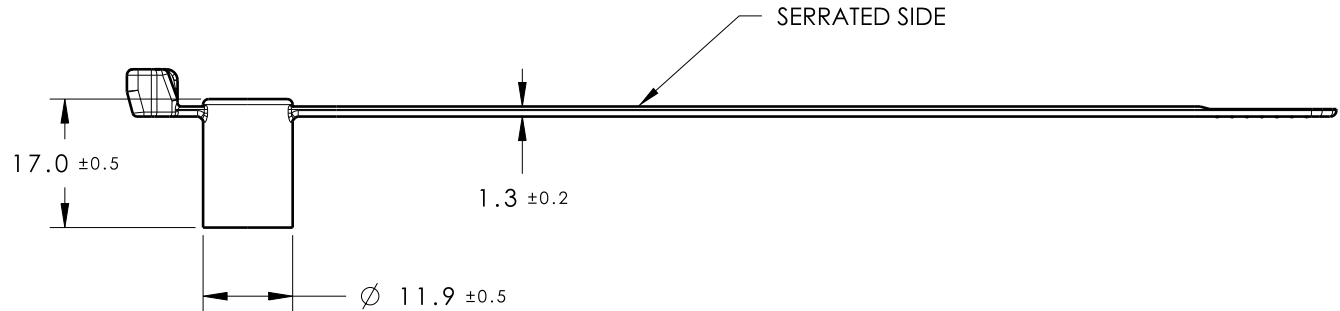
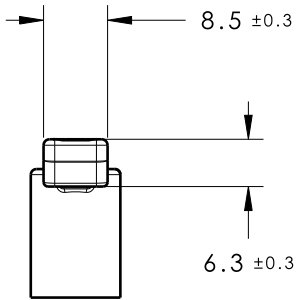
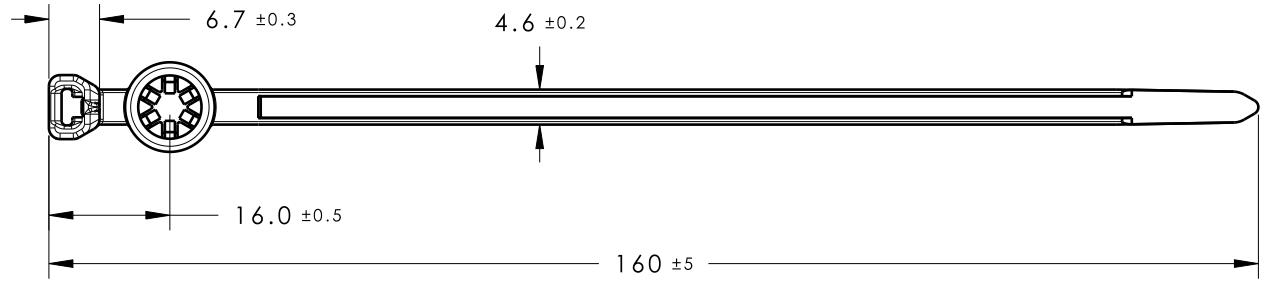


Revision Level			Revision Record	Changed	Date	Approved	Date
Drawing	State	Part					
00.0	Design Release	-	SEE ECN# 015341	CTF	08/06/2019	MHT	08/06/2019



ISOMETRIC VIEW  
SCALE: 1:2

GLOBAL PART DESCRIPTION	MATERIAL	COLOR	WELD STUD / SCREW SIZE	LOOP TENSILE	BUNDLE RANGE
T50SSBS5OT-E-PA66HS-BK	PA66HS	BLACK	5mm	200 N	4 - 35mm

Material SEE CHART	Units	millimeters	The copyright of this drawing is reserved by HellermannTyton. It is issued on condition that it is not reproduced, copied or disclosed to a third party, either wholly or in part, without the consent of HellermannTyton.	Drawn	CTF	08/06/2019	Article/Type-No	T50SSBS5OT-E	Scale	1:1
	Tolerance defined on each dimension	Approved		MHT	08/06/2019	Title	FIXING TIE	Project Number	02-0306	
		 North America Email: corp@htamericas.com Web: www.hellermann.tyton.com			Drawing-No	PRODUCTION : Phase	Format	AH		
					02-0306-001-CSU		Sheet	1/1		