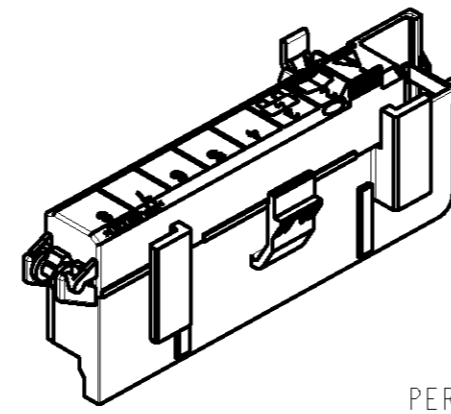
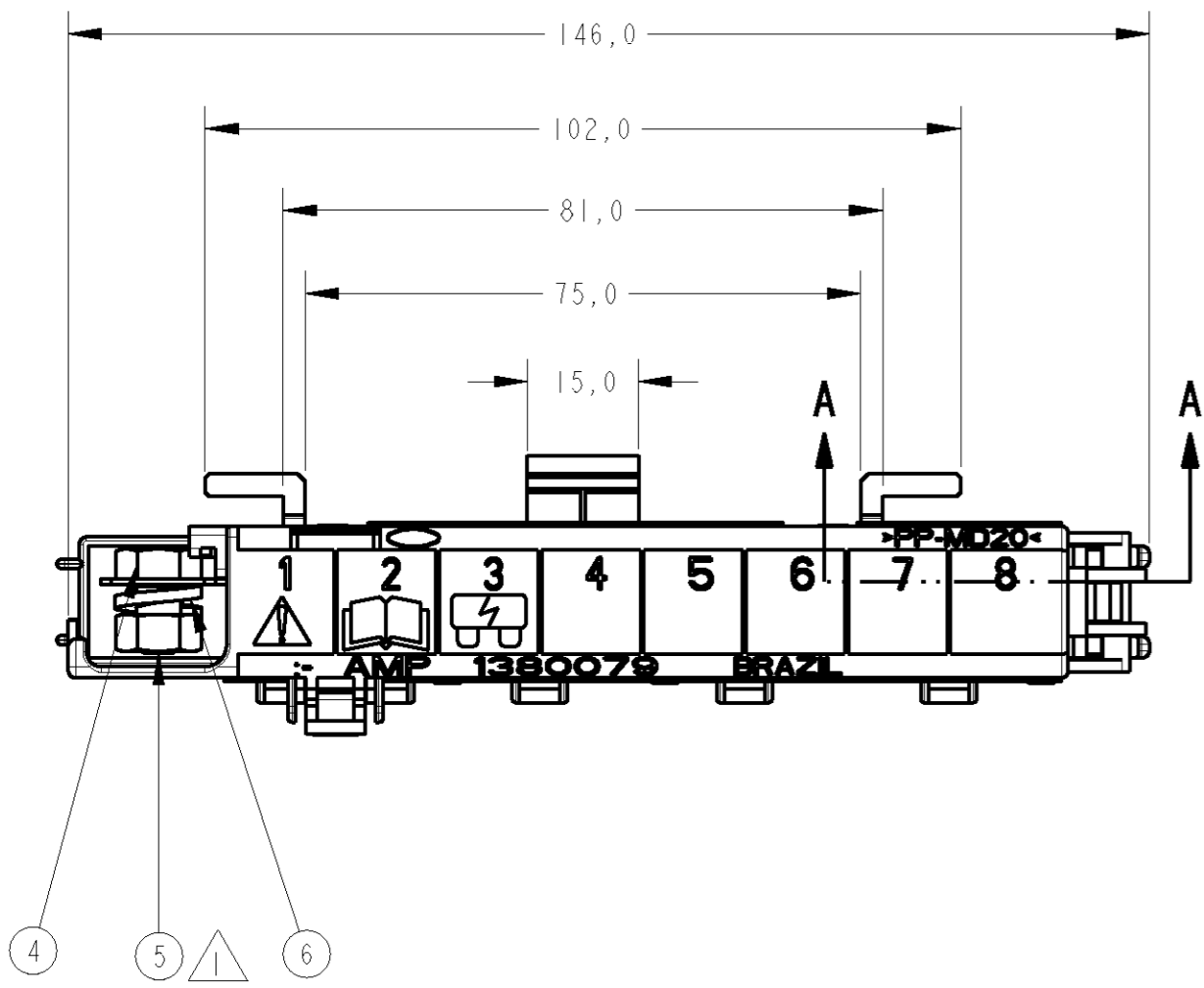
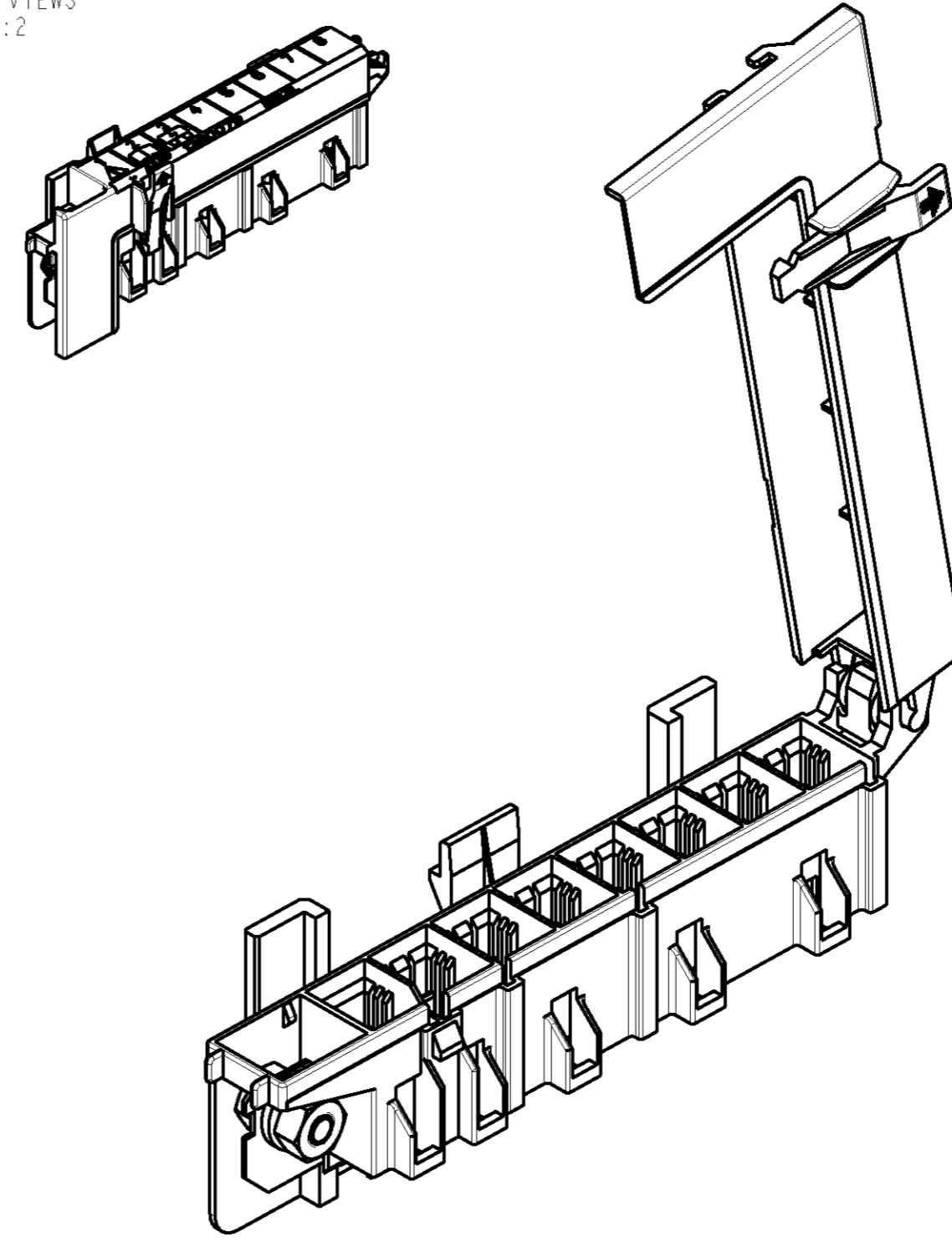


THIS DRAWING IS UNPUBLISHED. RELEASED FOR PUBLICATION 2006
 © COPYRIGHT 2006 BY TYCO ELECTRONICS CORPORATION. ALL RIGHTS RESERVED.

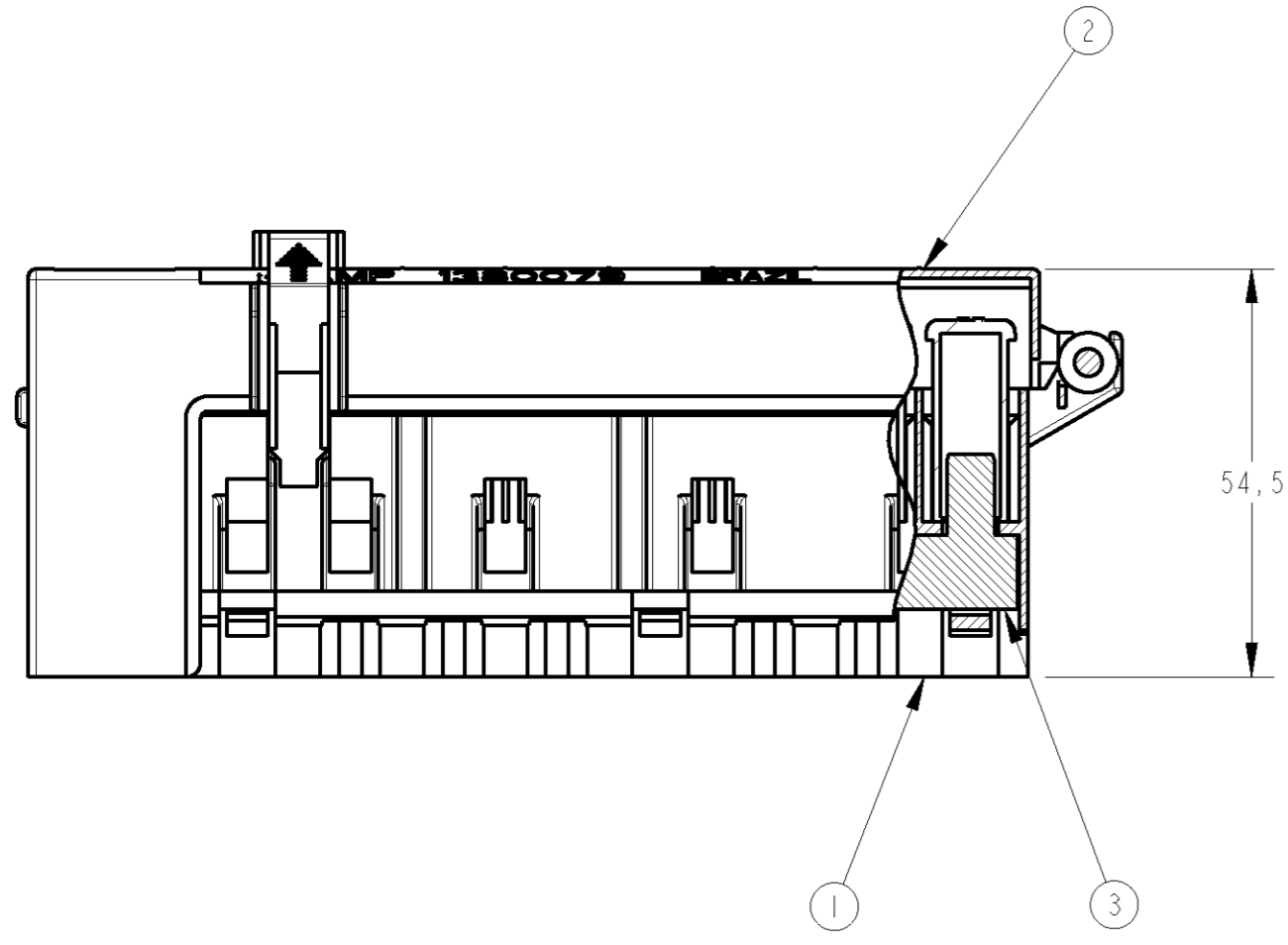
LOC	DIST	REVISIONS					
AP	-	P	LTR	DESCRIPTION	DATE	DWN	APVD
		A		RELEASED BY ECO-07-009179	23APR2007	RKTL	SHO
		AI		REVISED BY ECO-07-011564	17MAY2007	RKTL	GO



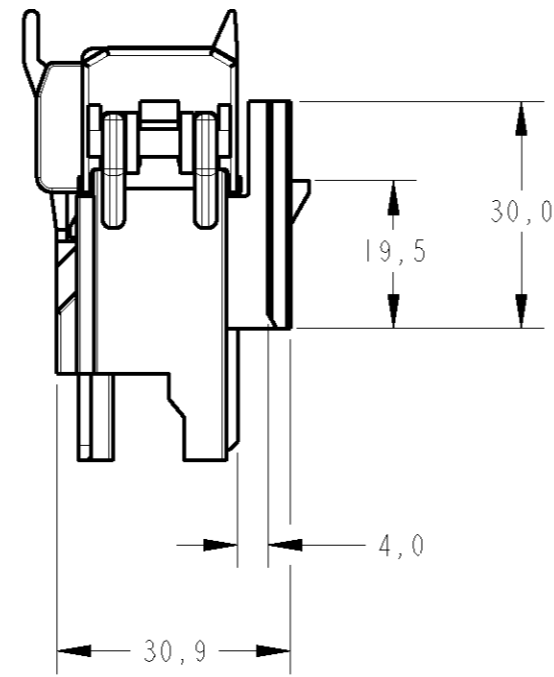
2
 PERSPECTIVE VIEWS
 SCALE 1:2



OPENED COVER VIEW
 SCALE 1:1



SECTION A-A



- 1 - TORQUE DE APERTO NA PORCA DE RETENÇÃO: 5,0 - 7,0 Nm.
 - 2 - CONDIÇÃO DE FORNECIMENTO.
 - 3 - VER DESENHO DE CLIENTE RESTRITO.
-
- 1 - NUT RETENTION TIGHTENING TORQUE: 5,0 - 7,0 Nm.
 - 2 - SUPPLYING CONDITION.
 - 3 - SEE RESTRICTED CUSTOMER DRAWING.

GRAVAÇÕES MARKINGS	
LOGOTIPO AMP AMP LOGO	
CÓDIGO PAÍS PRODUTOR MANUFACTURER COUNTRY CODE	
NOMENCLATURA MATERIAL MATERIAL NOMENCLATURE	
NÚMERO COMPONENTE TYCO TYCO COMPONENT NUMBER	
NÚMERO CAVIDADE CAVITY NUMBER	
IDENTIFICAÇÃO CIRCUITO CIRCUIT IDENTIFICATION	
PAÍS PRODUTOR MANUFACTURER COUNTRY	
REV+ LETRA REV.DA PEÇA REV.+ PART REV.LETTER	

REQ. PER ASSY	ITEM	DESCRIPTION	MATERIAL	FINISH
-4	6	WASHER SPRING LOCK M6	AÇO MOLA / SPRING STEEL	ZINCADO / ZINC PLATED
-3	5	NUT M6	AÇO / STEEL	ZINCADO / ZINC PLATED
-2	4	SCREW M6 X 10	AÇO / STEEL	ZINCADO / ZINC PLATED
-1	3	BUSBAR 8 POSN. J-CASE FUSE	LIGA DE COBRE / COOPER ALLOY	ESTANHADO / TIN PLATED
	2	COVER 8 POSN. J-CASE FUSE	POLIPROPILENO / POLYPROPYLENE	PRETO / BLACK
	1	HOUSING 8 POSN. J-CASE FUSE	PBT	PRETO / BLACK

DIMENSIONS: mm 		TOLERANCES UNLESS OTHERWISE SPECIFIED: 0 PLC ± 1 PLC ±0,3 2 PLC ± 3 PLC ± 4 PLC ± ANGLES ±° FINISH		DWN A. PERUSSI 19SEP2006 CHK P. L. FARIA 19SEP2006 APVD M. I. OGAWA 19SEP2006 PRODUCT SPEC - / - APPLICATION SPEC - / - WEIGHT - / - CUSTOMER DRAWING		tyco Tyco Electronics Ltda. Electronics São Paulo - Brazil	
MATERIAL SEE TABLE		SEE TABLE		NAME MAXI FUSE BOX ASS'Y J-CASE FUSE		RESTRICTED TO - / -	
				SIZE A2 CAGE CODE 00779 DRAWING NO C-1599962		SCALE SHEET OF REV A1	

1599962