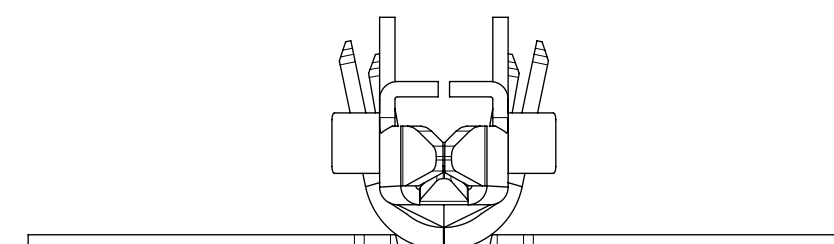


PART LEGEND

203070-	*	*	*	*
SERIES				FORM
				1 = CHAIN
				2 = LOOSE
WIRE GAGE (INS OD RANGE)				PARTNUMBER
1 = 16 (Ø1.98-2.55)				4 = FINISHED GOODS
2 = 16 (Ø2.55-3.14)				
3 = 18-20 (Ø1.42-2.10)				PLATING
4 = 18-20 (Ø2.10-2.85)				1 = GOLD (POST PLATE)
5 = 22-24 (Ø1.07-1.65)				2 = TIN OVER NICKEL (POST PLATE)
6 = 22-24 (Ø1.65-2.38)				



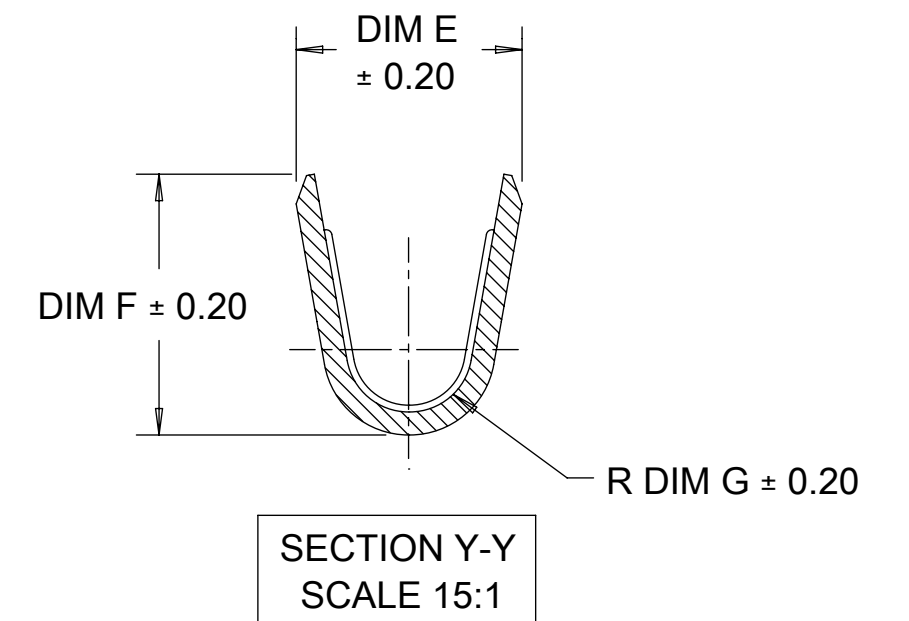
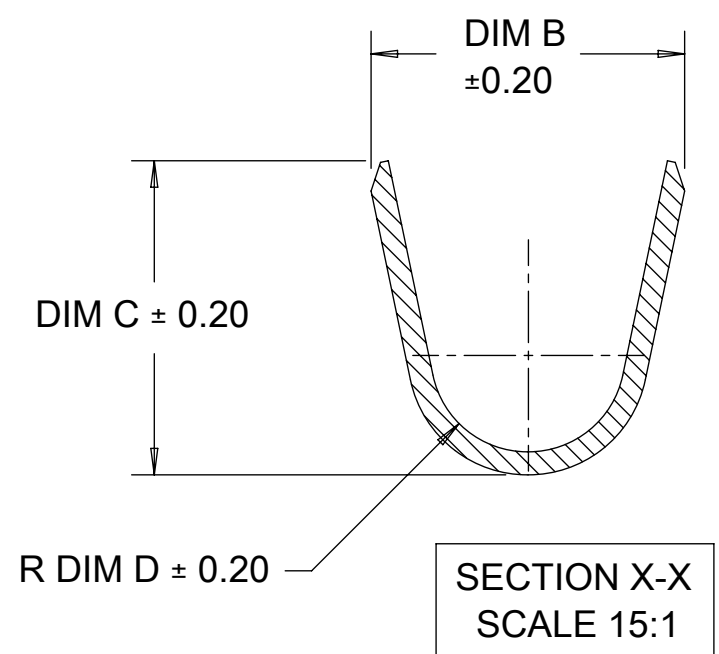
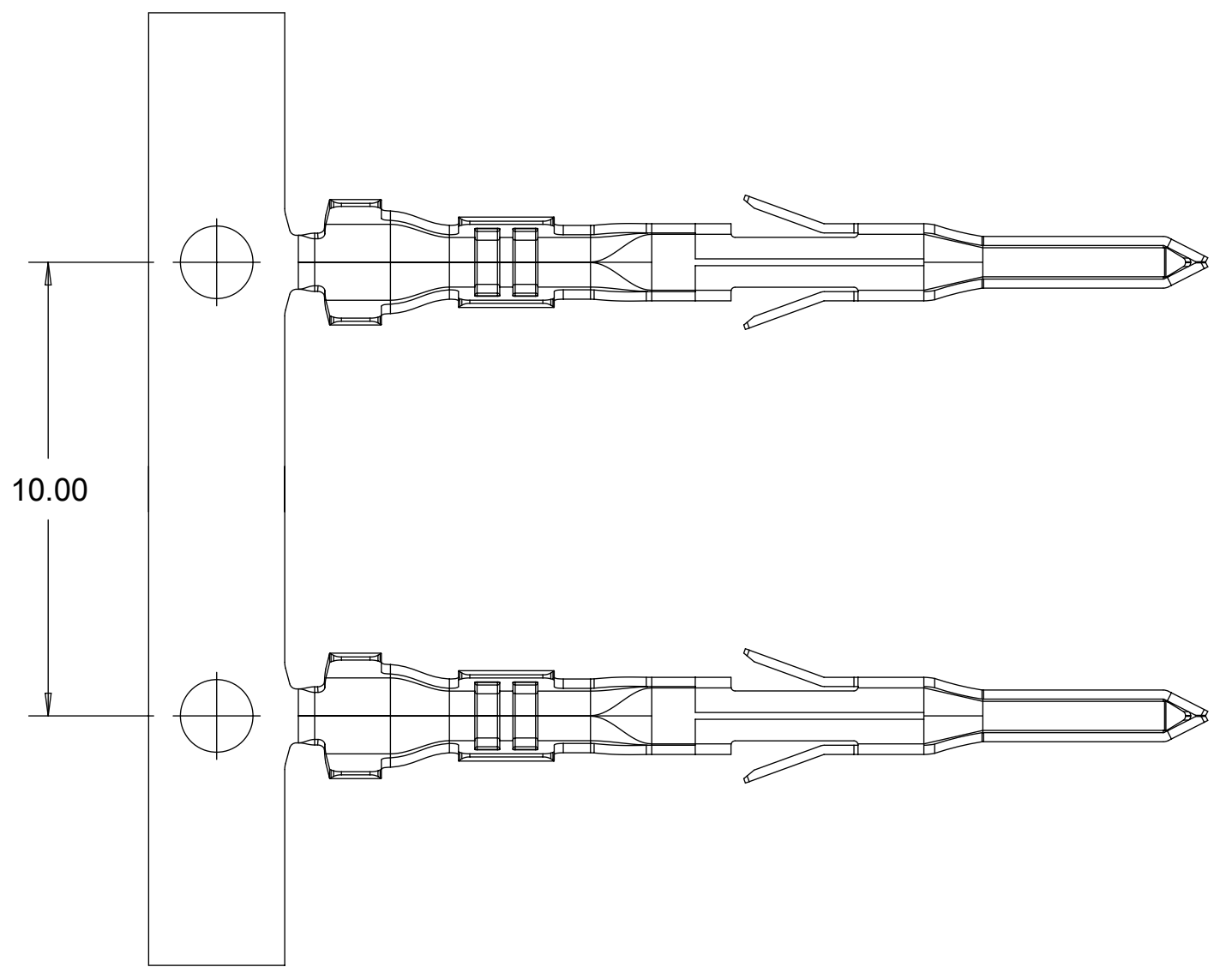
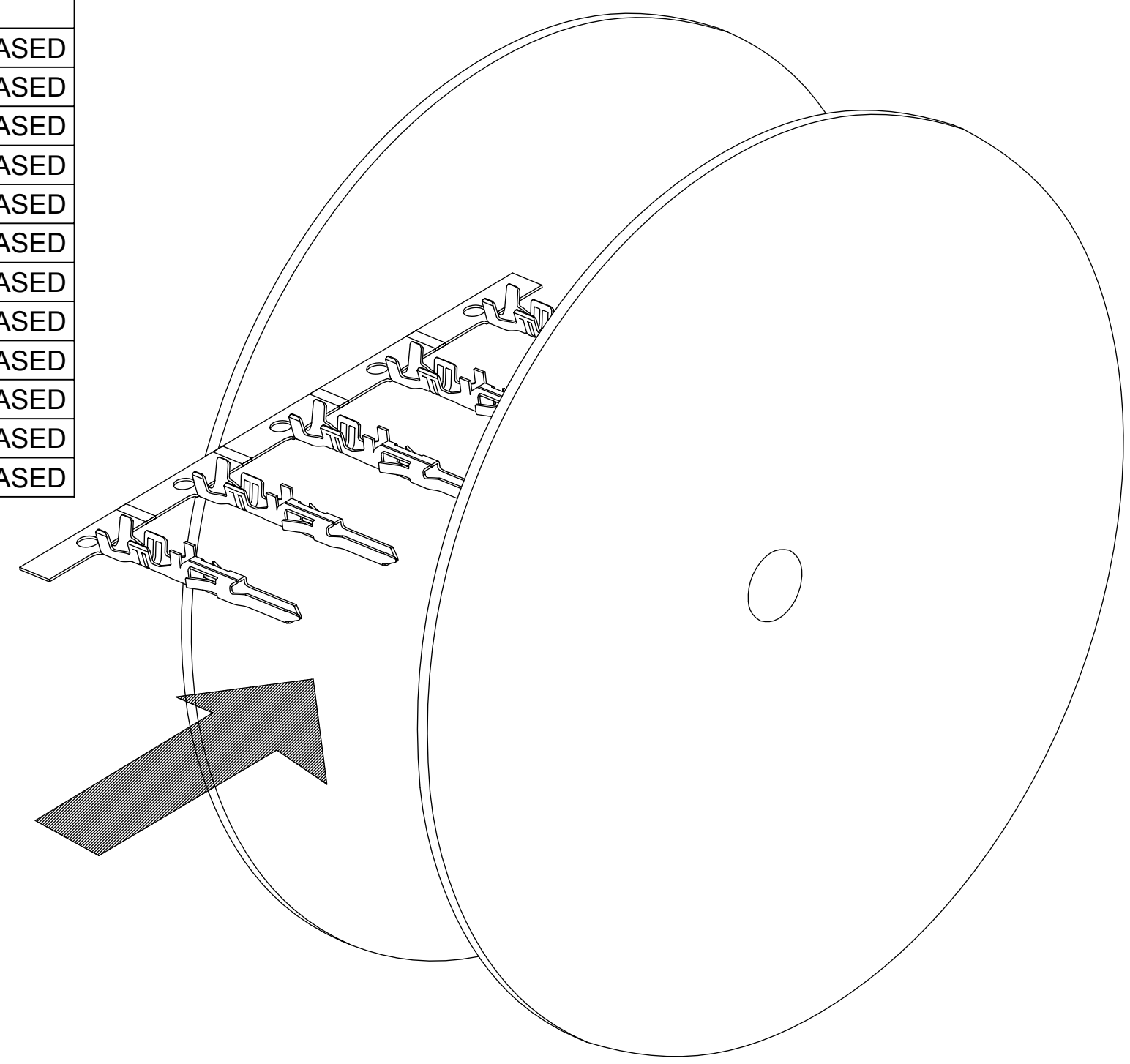
NOTES:

- MATERIAL:
HIGH CONDUCTIVITY COPPER ALLOY
- POST PLATED:
A) 30 µin/(0.75µm) MIN. SELECT GOLD IN THE CONTACT AREA, 100µin/(2.5µm) MIN. SELECT MATTE TIN IN THE CRIMP AREA OVER 50 µin/1.25 MIN. NICKEL OVERALL.
B) 100 µin/(2.50µm) MIN. OVERALL BRIGHT TIN, 50 µin/1.25 MIN. NICKEL OVERALL.
- PRODUCT SPECIFICATION: 2029880001-PS
APPLICATION SPECIFICATION: AS-172718-0000
- THIS TERMINAL TO BE USED WITH HOUSING SERIES 172762 AND 172767.
- THIS TERMINAL MATES WITH FEMALE CRIMP TERMINAL SERIES 202988.
- PACKAGING: REELS TO BE PACKED PER 2030700002-PK
LOOSE TERMINALS PER 2030700003-PK
- PART CONFORMS TO CLASS 'B' REQUIREMENTS OF COSMETIC SPEC PS-45499-002.
- WHEN TERMINALS ARE INSTALLED IN THE HOUSING THE WIRE ARE TO BE DRESSED IN SUCH A MANNER TO ALLOW THE TERMINALS TO FLOAT FREELY IN THE HOUSING POCKET
- THIS TERMINALS IS DESIGNED FOR SINGLE WIRE CRIMPING.

THIS DRAWING CONTAINS INFORMATION THAT IS PROPRIETARY TO MOLEX ELECTRONIC TECHNOLOGIES, LLC AND SHOULD NOT BE USED WITHOUT WRITTEN PERMISSION									
DIMENSION UNITS	SCALE	CURRENT REV DESC:			molex				
mm	NTS								
GENERAL TOLERANCES (UNLESS SPECIFIED)		EC NO: 746659			MALE CRIMP TERMINAL MINI-FIT TPA 2.0				
ANGULAR TOL	± °	DRWN: JERRYW8 2023/04/19							
4 PLACES	±	CHK'D: XQZHANG 2023/04/21			PRODUCT CUSTOMER DRAWING				
3 PLACES	±	APPR: XQZHANG 2023/04/21							
2 PLACES	± 0.2	INITIAL REVISION:			DOCUMENT NUMBER				
1 PLACE	± 0.2	DRWN: MRAMAKRISHNA 2017/02/17							
0 PLACES	±	APPR: ISHWARG 2017/05/15			2030700001				
DRAFT WHERE APPLICABLE MUST REMAIN WITHIN DIMENSIONS		THIRD ANGLE PROJECTION	DRAWING	SERIES					
			C-SIZE	203070	SEE TABLE	GENERAL MARKET	PSD	000	A6
									SHEET NUMBER
									1 OF 2

FORM	FINISHED GOODS PART NUMBER FOR GOLD PLATING	FINISHED GOODS PART NUMBER FOR TIN PALTING	BASE, MAT'L	WIRE AWG	WIRE OD RANGE	DIM B	DIM C	DIM D	DIM E	DIM F	DIME G	DIM H	STATUS	
CHAIN	203070-1141	203070-1241	HIGH CONDUCTIVITY COPPER ALLOY	16	1.98-2.55	3.27	3.43	1.00	2.35	2.90	0.70	2.11	RELEASED	
	203070-2141	203070-2241			2.55-3.14	3.74	3.66	1.43				1.91	RELEASED	
	203070-3141	203070-3241		18-20	1.42-2.10	2.77	2.77	0.85	2.00	2.30	0.55	2.11	RELEASED	
	203070-4141	203070-4241			2.10-2.85	3.36	3.37	1.25				2.11	RELEASED	
	203070-5141	203070-5241		22-24	1.07-1.65	2.33	2.27	0.70	1.68	1.65	0.40	2.11	RELEASED	
	203070-6141	203070-6241			1.65-2.38	3.14	3.09	1.00				2.11	RELEASED	
LOOSE	203070-1142	203070-1242		HIGH CONDUCTIVITY COPPER ALLOY	16	1.98-2.55	3.27	3.43	1.00	2.35	2.90	0.70	2.11	RELEASED
	203070-2142	203070-2242				2.55-3.14	3.74	3.66	1.43				1.91	RELEASED
	203070-3142	203070-3242			18-20	1.42-2.10	2.77	2.77	0.85	2.00	2.30	0.55	2.11	RELEASED
	203070-4142	203070-4242				2.10-2.85	3.36	3.37	1.25				2.11	RELEASED
	203070-5142	203070-5242			22-24	1.07-1.65	2.33	2.27	0.70	1.68	1.65	0.40	2.11	RELEASED
	203070-6142	203070-6242				1.65-2.38	3.14	3.09	1.00				2.11	RELEASED

FINISHED GOODS PART NUMBER FOR GOLD PLATING	FINISHED GOODS PART NUMBER FOR TIN PALTING	COMBINATION WIRE AWG
203070-4141	203070-4241	22+22 AWG



THIS DRAWING CONTAINS INFORMATION THAT IS PROPRIETARY TO MOLEX ELECTRONIC TECHNOLOGIES, LLC AND SHOULD NOT BE USED WITHOUT WRITTEN PERMISSION									
DIMENSION UNITS		SCALE		CURRENT REV DESC:					
mm		NTS							
GENERAL TOLERANCES (UNLESS SPECIFIED)				EC NO: 746659				MALE CRIMP TERMINAL MINI-FIT TPA 2.0	
ANGULAR TOL ± °				DRWN: JERRYW8 2023/04/19					
4 PLACES ±				CHK'D: XQZHANG 2023/04/21					
3 PLACES ±				APPR: XQZHANG 2023/04/21				PRODUCT CUSTOMER DRAWING	
2 PLACES ± 0.2				INITIAL REVISION:					
1 PLACE ± 0.2				DRWN: MRAMAKRISHNA 2017/02/17				DOCUMENT NUMBER	
0 PLACES ±				APPR: ISHWARG 2017/05/15				2030700001	
DRAFT WHERE APPLICABLE MUST REMAIN WITHIN DIMENSIONS		THIRD ANGLE PROJECTION		DRAWING		SERIES		MATERIAL NUMBER	
				C-SIZE		203070		SEE TABLE	
								CUSTOMER	
								GENERAL MARKET	
								SHEET NUMBER	
								2 OF 2	

DOCUMENT STATUS	P1	RELEASE DATE	2023/04/21 07:41:23
-----------------	----	--------------	---------------------