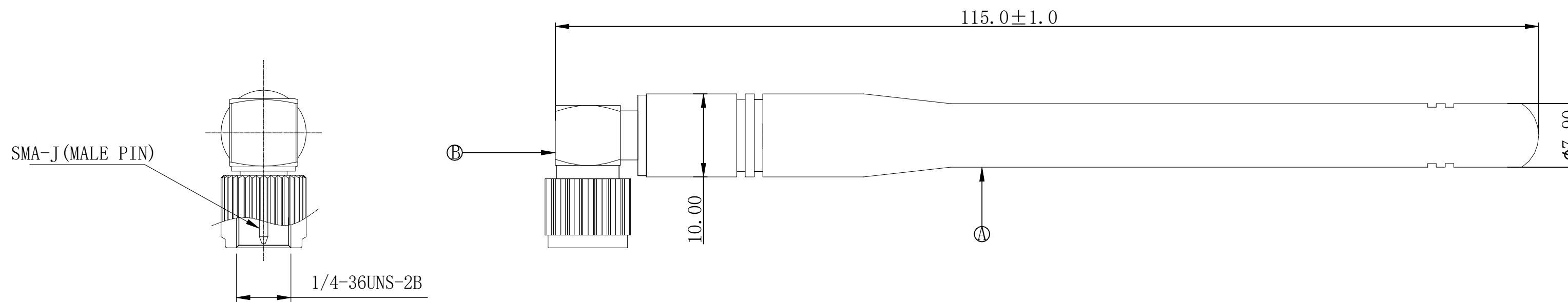


REVISIONS				
P	LTR	DESCRIPTION	DATE	APVD
A		GO TO PRODUCTION	23MAR2021	DC AC



NOTES:

1. Electrical:
 - 1.1 Frequency: 698~960MHz;1710~2170MHz;2300~2700MHz
 - 1.2 Impedance: 50 OHM.
 - 1.3 VSWR:698~960MHz<4.0;1710~2700MHz<3.0
 - 1.4 Peck Gain: 2dBi
 - 1.5 Polarization: Vertical
 - 1.6 Radiation Patten:Omni-directional
2. Enviromental:
 - 2.1 Storage Temperature Range: -30 TO +75°C
 - 2.2 Operating Temperature Range: -30 TO +75°C
3. All material must meet RoHS Request.
4. MATERIALS : REFER TO TABLE.
5. PACKAGING : SINGULARATE PARTS TO BE SECURELY BAG WRAPPED, BAGGED OR VACUM PACKAGE INBULK
6. CONSULT TE CONNECTIVITY DATASHEET DS 2195890

TE PN	2195890-1
-------	-----------

NO	ITEM	MATERIAL / FINISH	Q' TY
B	SMA	SMA PLATING NI	1
A	BODY	TPEE, BLACK	1

THIS DRAWING IS A CONTROLLED DOCUMENT.		DWN DC HSAING 29JAN2021	TE TE Connectivity	
DIMENSIONS: mm		CHK SHIN CHOO 29JAN2021		
TOLERANCES UNLESS OTHERWISE SPECIFIED:		APVD AMOS CHEAH 29JAN2021	NAME External Ant., SMA, 698-960 & 1710-2170MHz	
0 PLC ± -		PRODUCT SPEC	-	
1 PLC ± -		APPLICATION SPEC	-	
2 PLC ± -		WEIGHT	-	
3 PLC ± -		SIZE A2	CAGE CODE 00779	DRAWING NO C=2195890
4 PLC ± -		FINISH	RESTRICTED TO	
ANGLES ± -		CUSTOMER DRAWING	SCALE 1:1	SHEET 1 OF 1
MATERIAL		REV A		