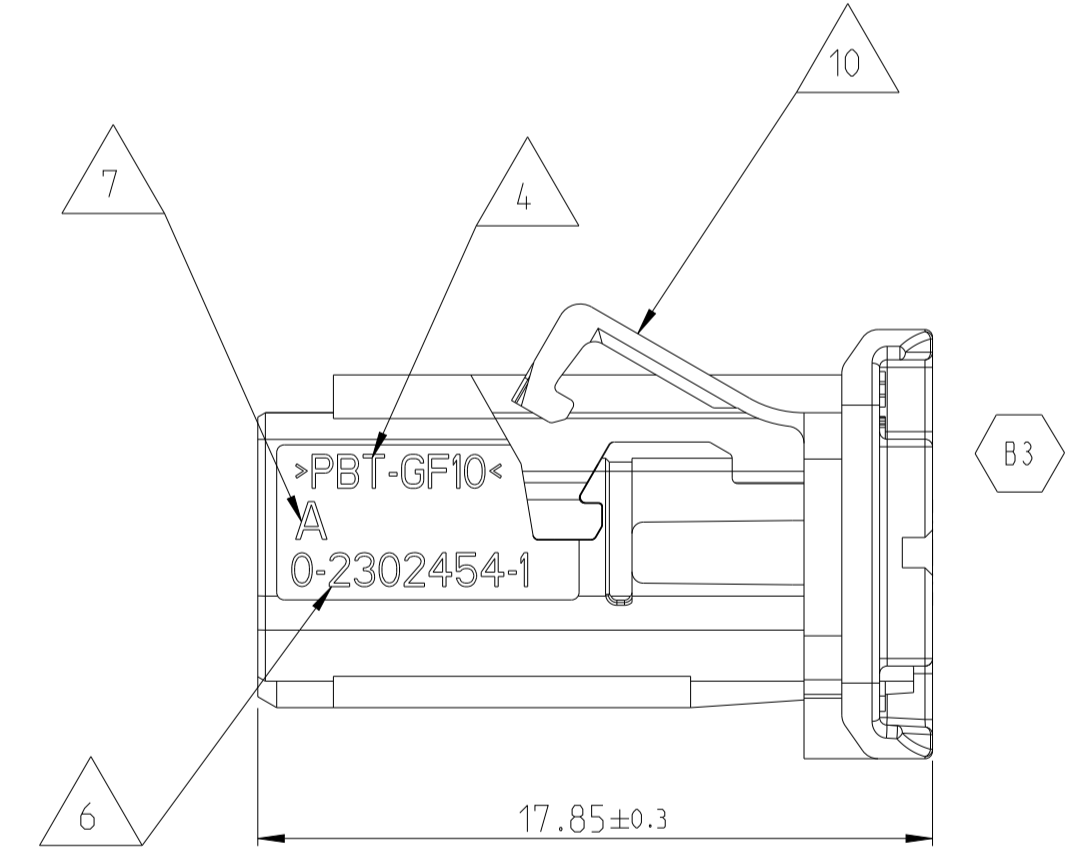
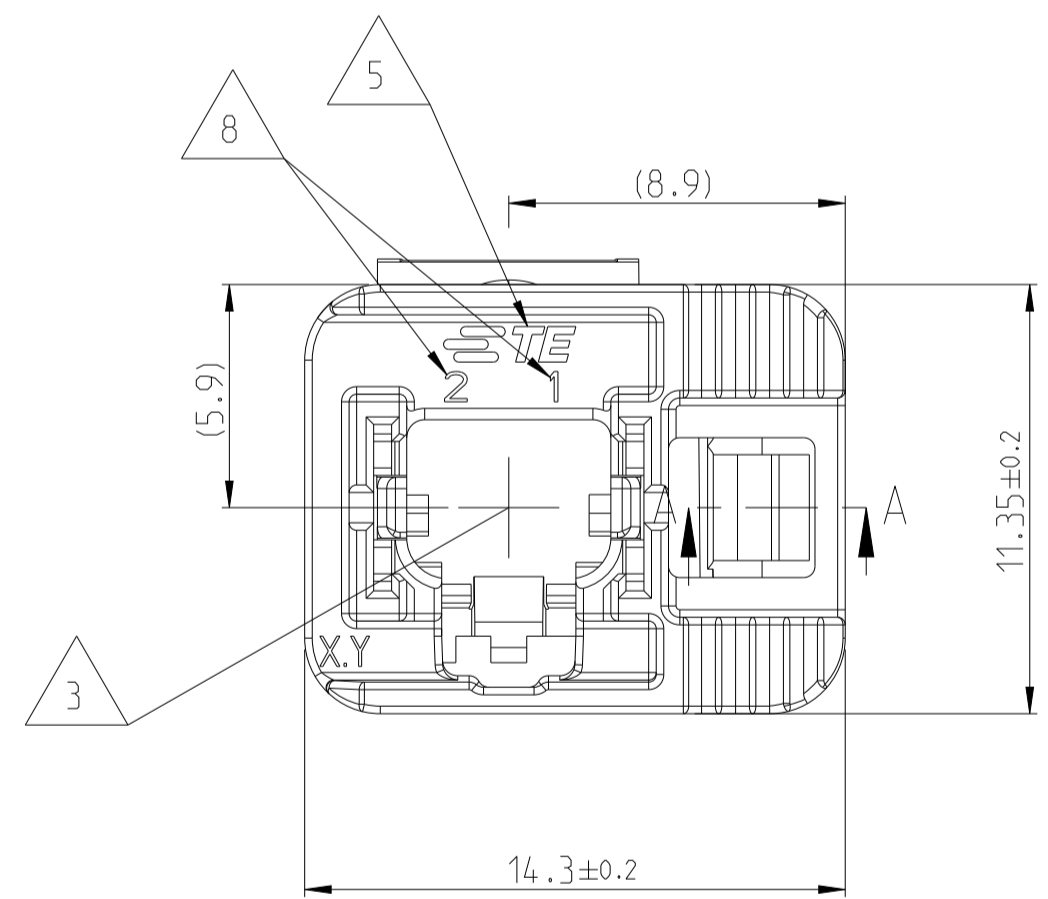
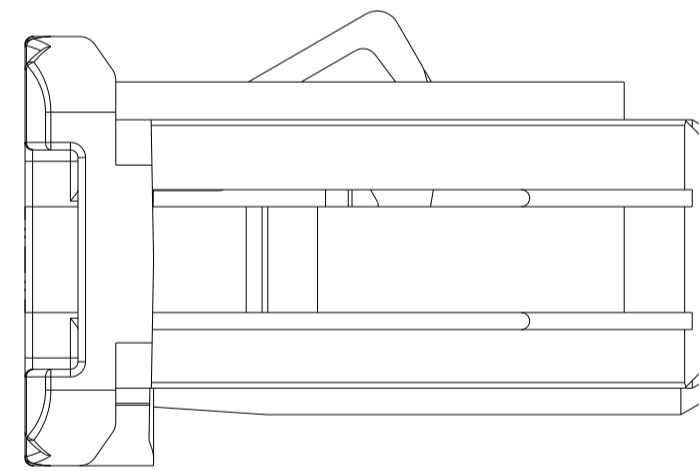
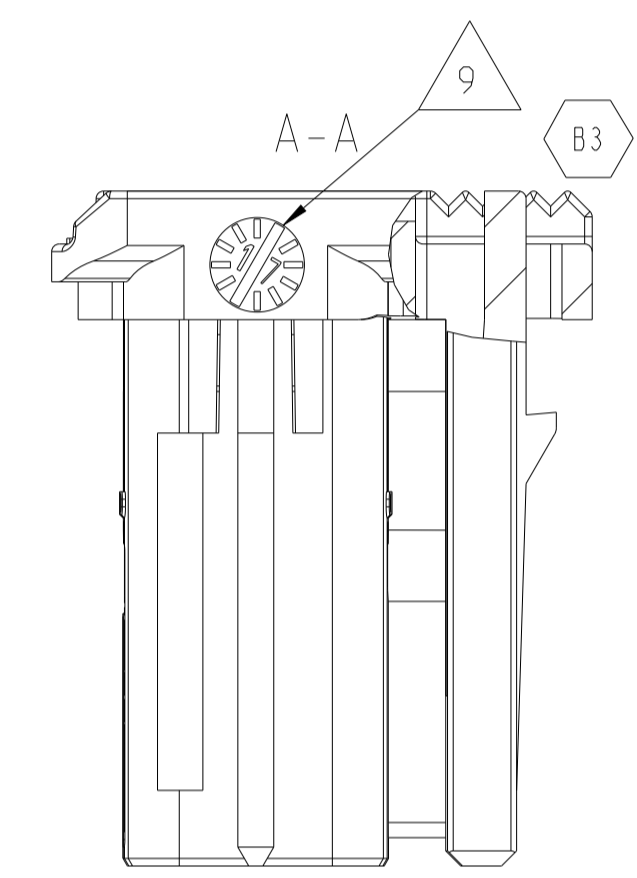
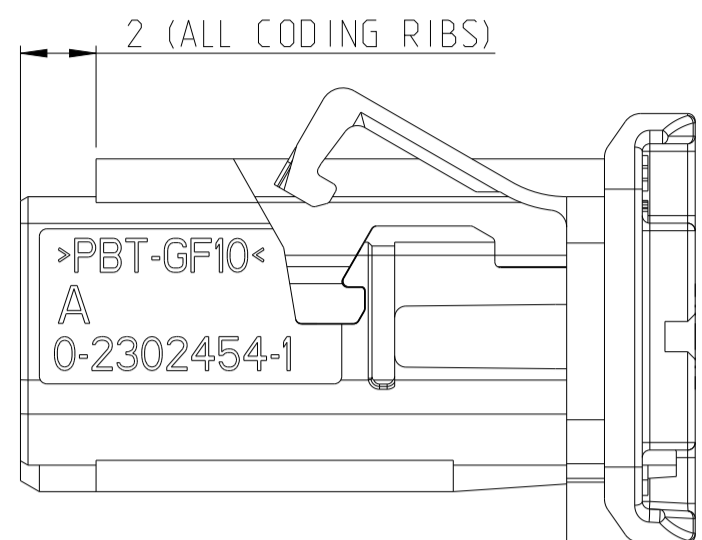
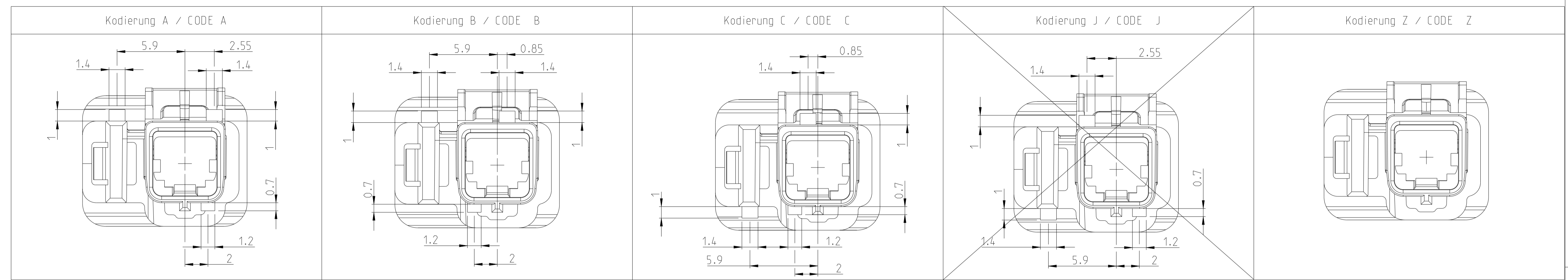
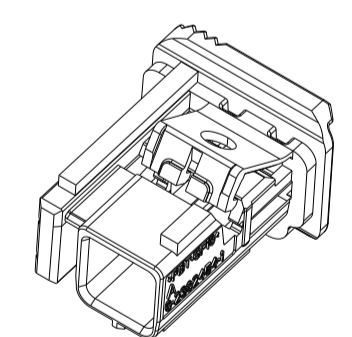


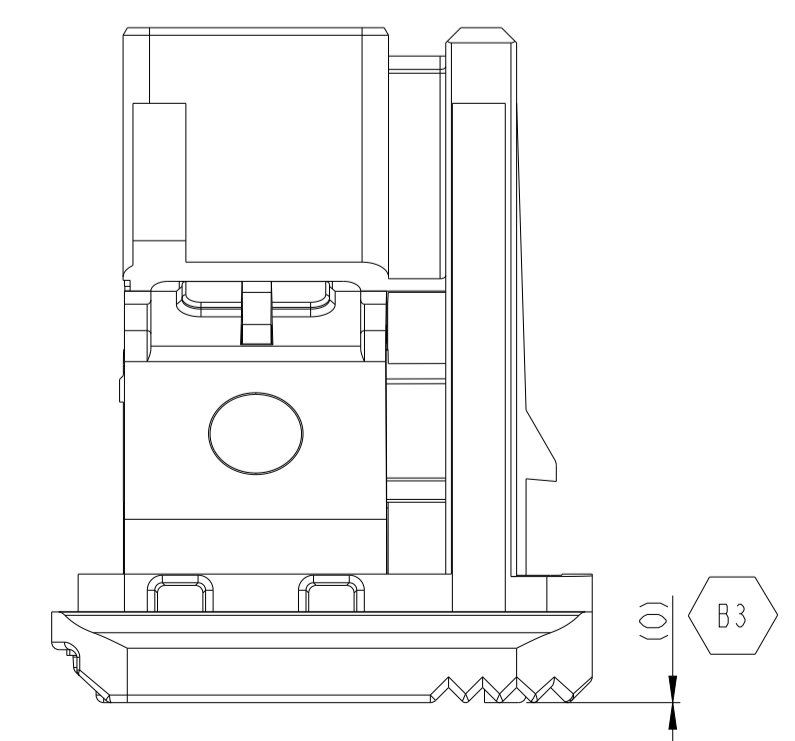
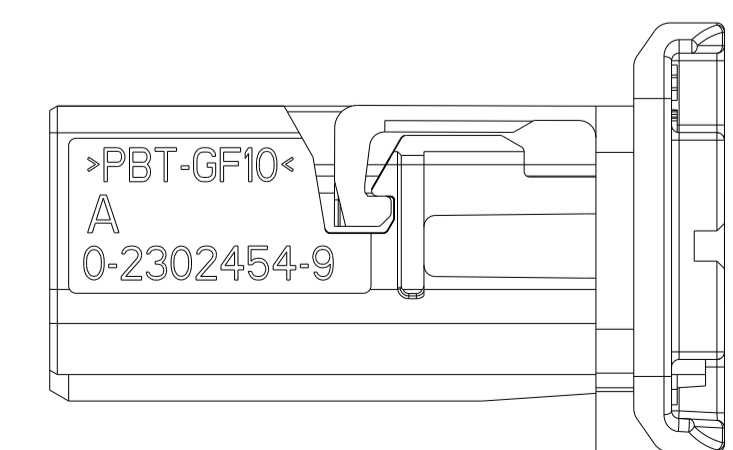
REV. NO.	DATE	BY	CHK	DESCRIPTION
B	28NOV2016	KIJ	AK	E-16-016822 (STP-Contact-Spring Pockets added)
B1	11OCT2017	RW	AK	E-17-015004 (added serial parts)
B2	25OCT2019	FF	AK	E-19-016672 (removed code J and pilot parts)
B3	17FEB2022	RW	AK	PCN-22-128957 (removed optional long latch)



- Notizen / NOTES
- 0-2302454-1 Kodierung A wie dargestellt  
0-2302454-1 CODING A AS SHOWN
  - Passend zu Stiftwanne nach TE-Schnittstellenzeichnung 208-18006  
MATING TO PINHEADER ACC. TE-INTERFACE DRAWING 208-18006
  - Kammer fuer MATEnet 2Pos. NanoMQS female Insert module TE PN 0-2302450-X  
CAVITY FOR MATEnet 2Pos. NanoMQS FEMALE INSERT MODULE TE PN 0-2302450-X
  - Materialkennzeichnung  
MATERIAL MARKING
  - TE-Logo  
TE-LOGO
  - TE-Teil Nummer  
TE-PART NUMBER
  - Revisionsstand  
PART REVISION
  - Kontaktkammernummer  
CONTACT CAVITY NUMBER
  - Produktionsdatum  
PRODUKTION DATE
  - Anlieferzustand: 2. Kontaktsicherung geöffnet  
DELIVERY CONDITION: RETAINER IN OPEN POSITION
  - Verpackung: Schuetztgut im Beutel im Karton  
PACKAGING: LOOSE PIECES IN BAG IN BOX

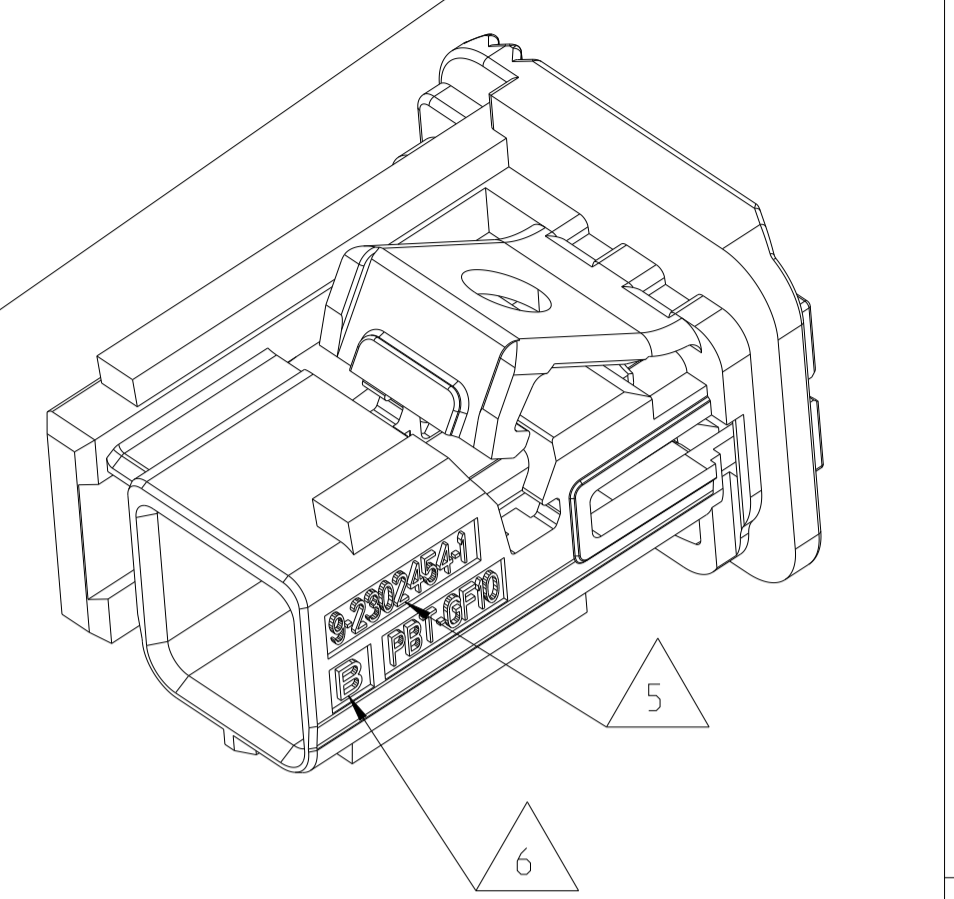
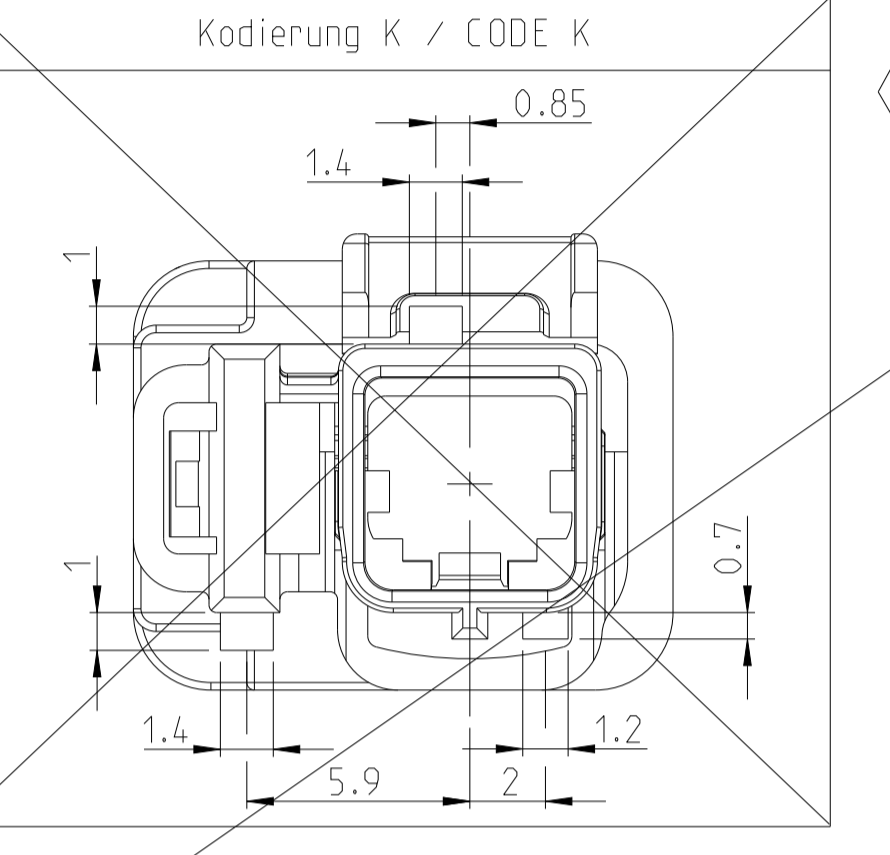
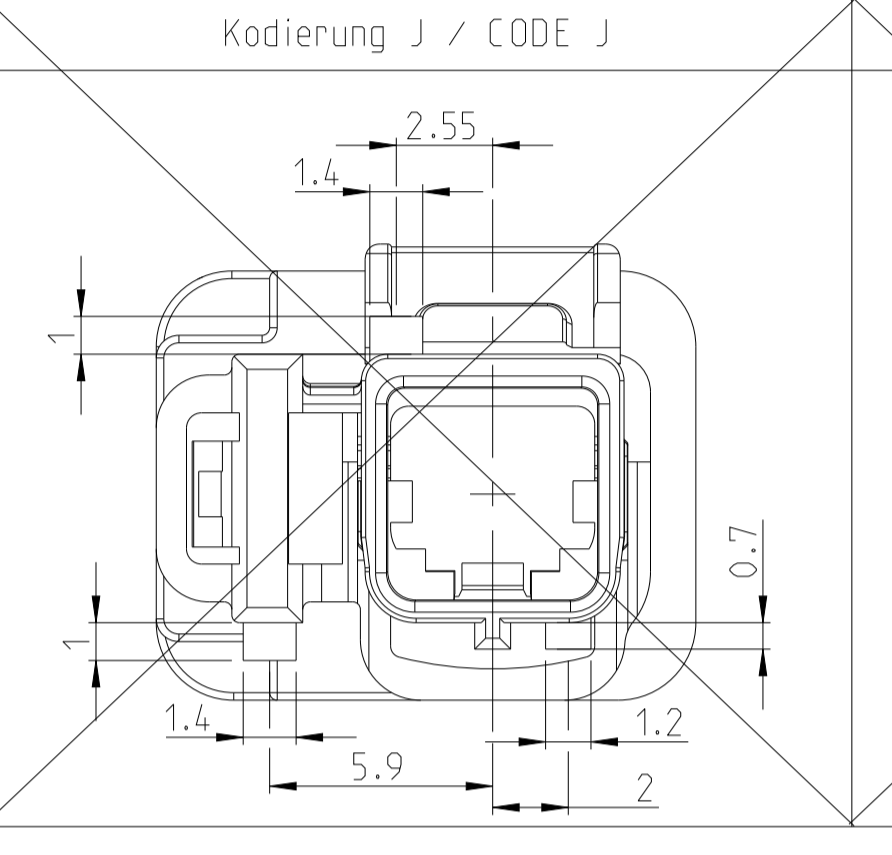
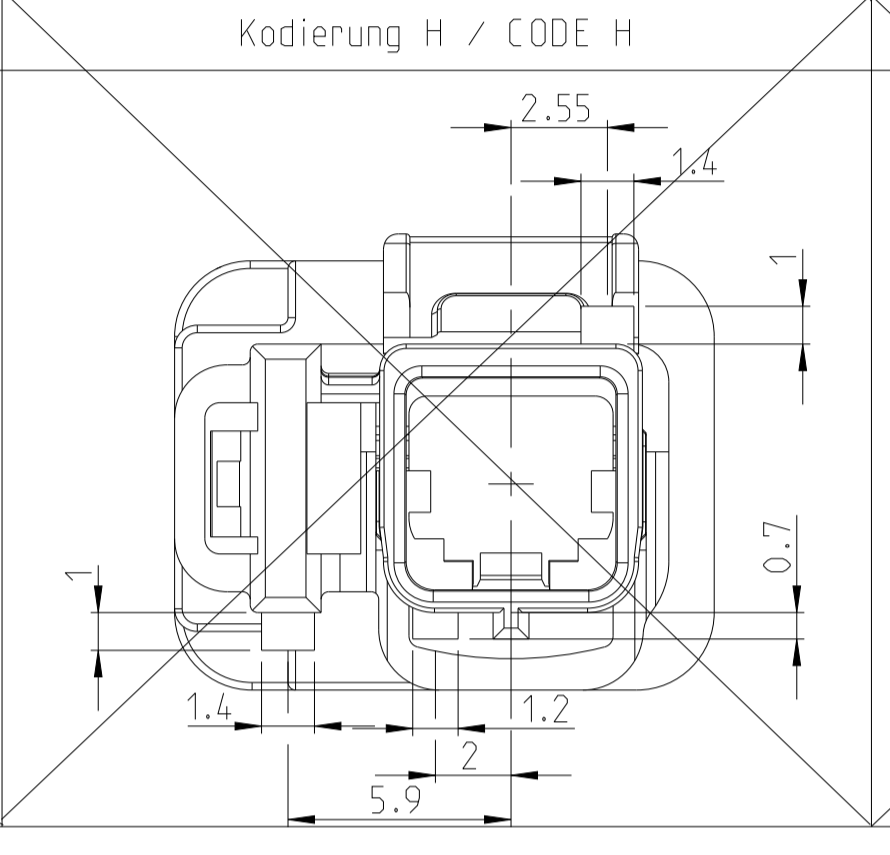
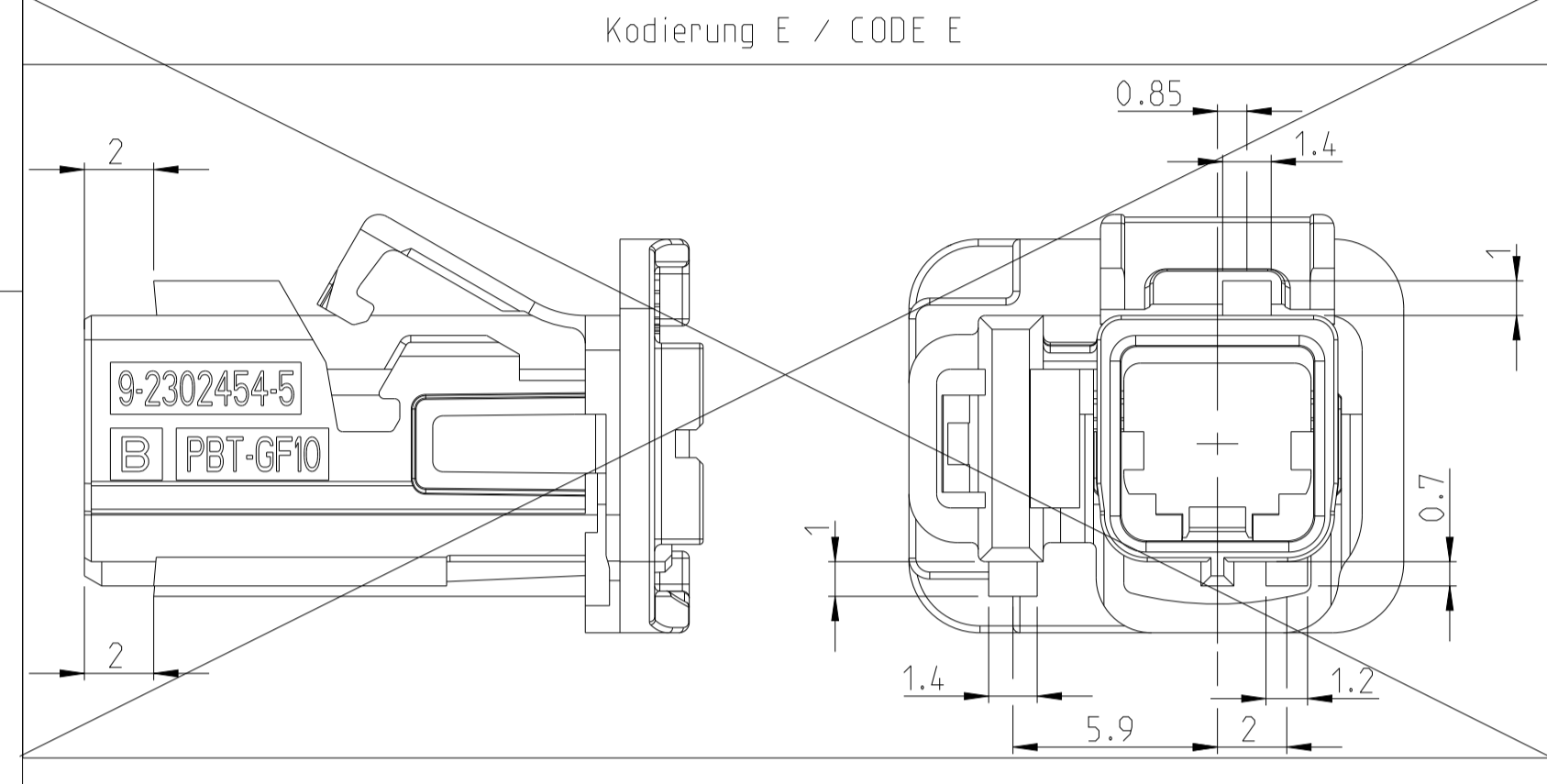
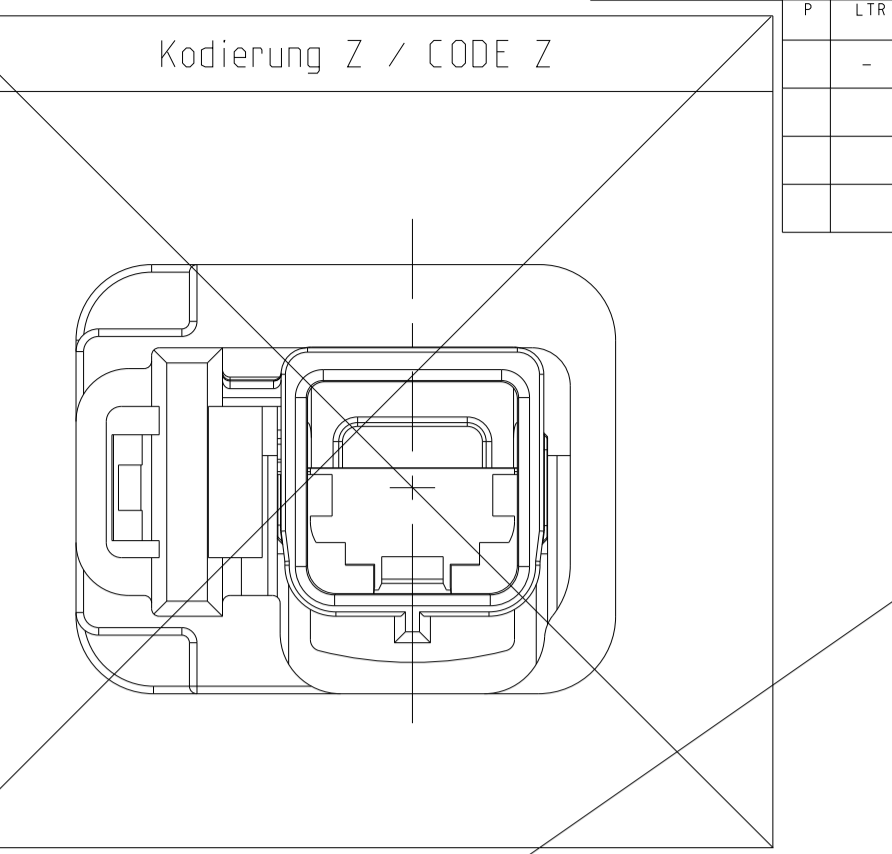
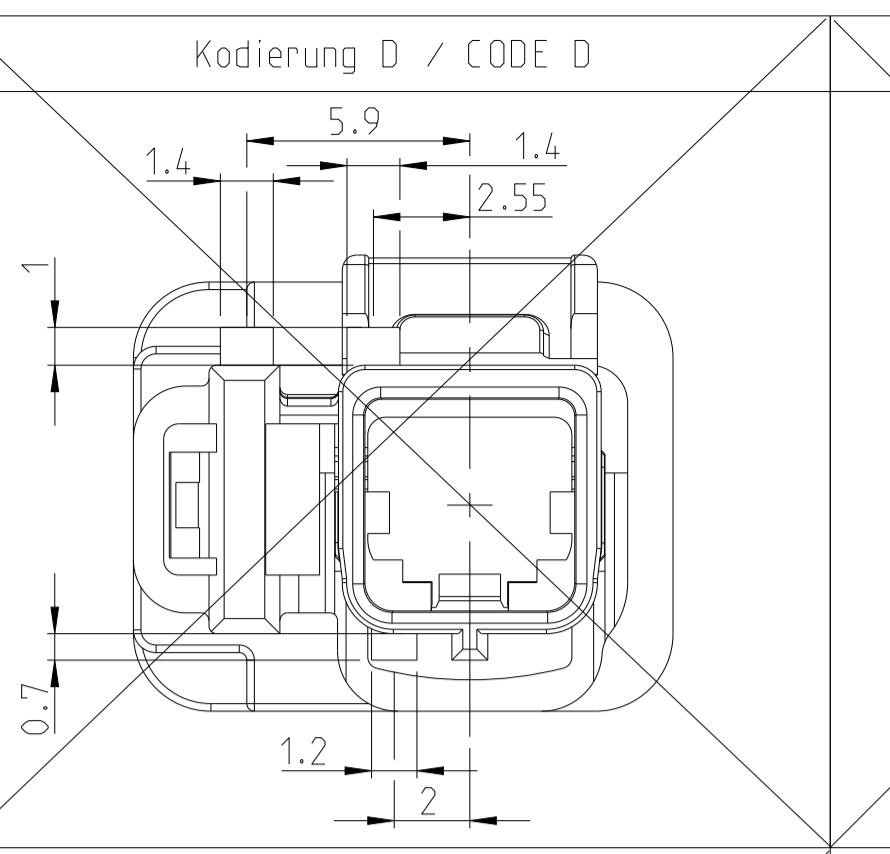
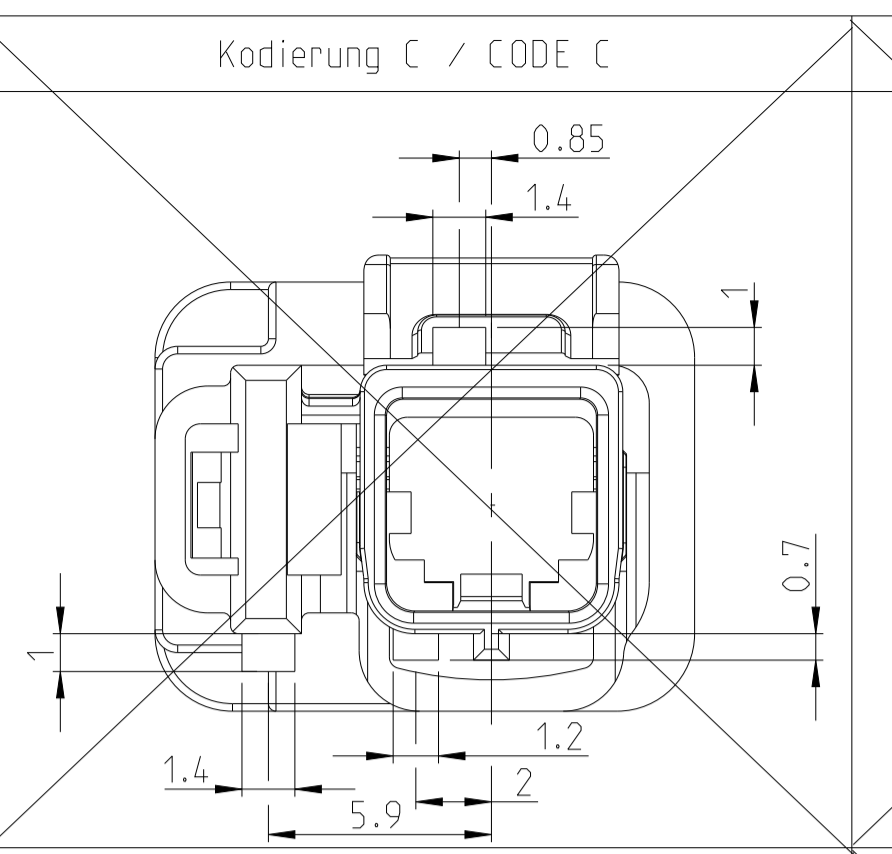
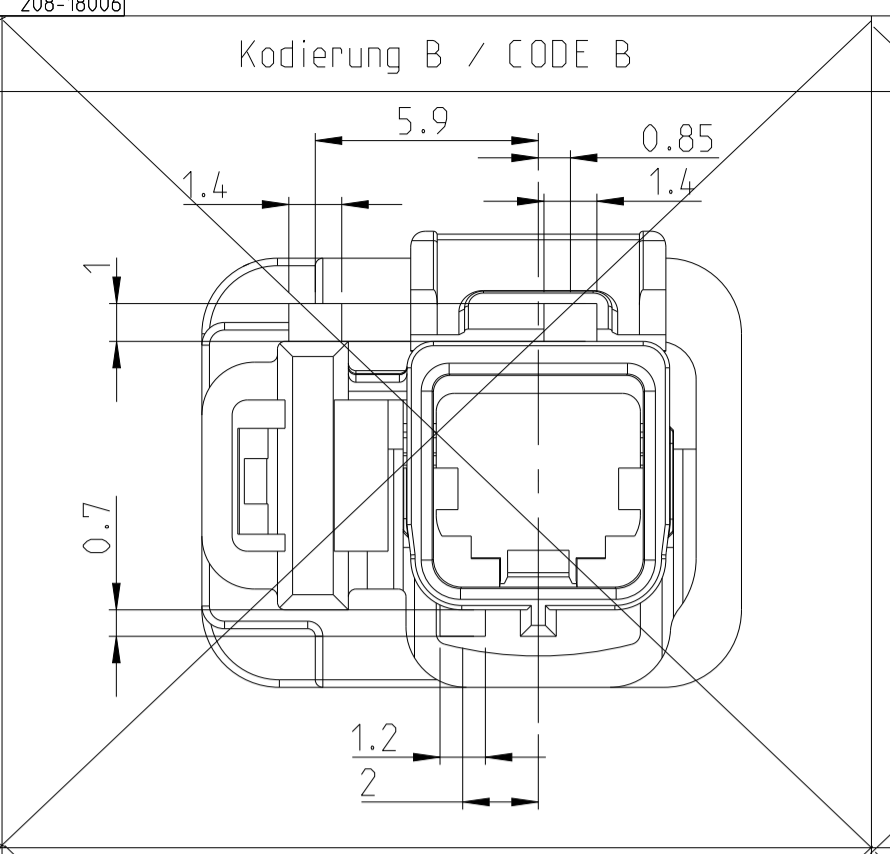
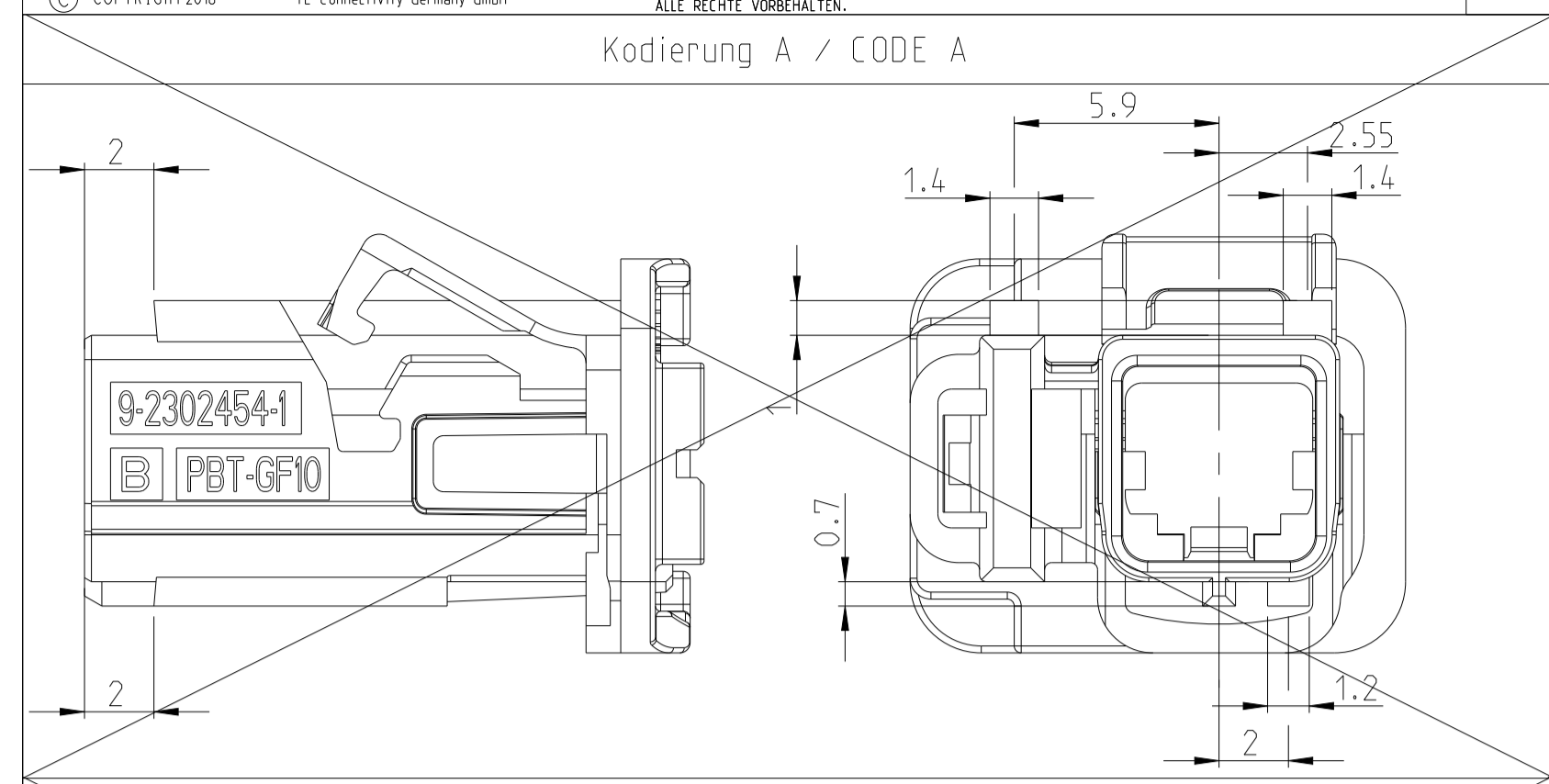


SHOWN IN END-LOCKED POSITION  
Darstellung in Endraststellung

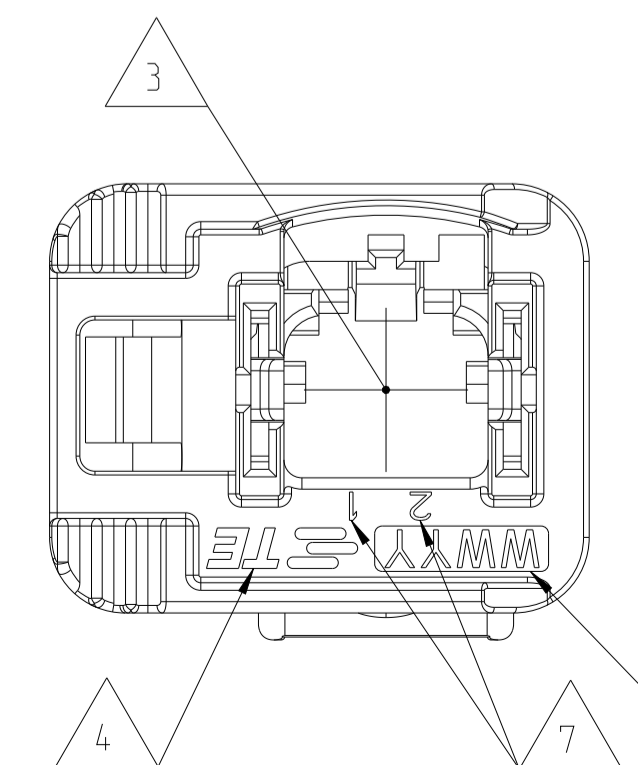
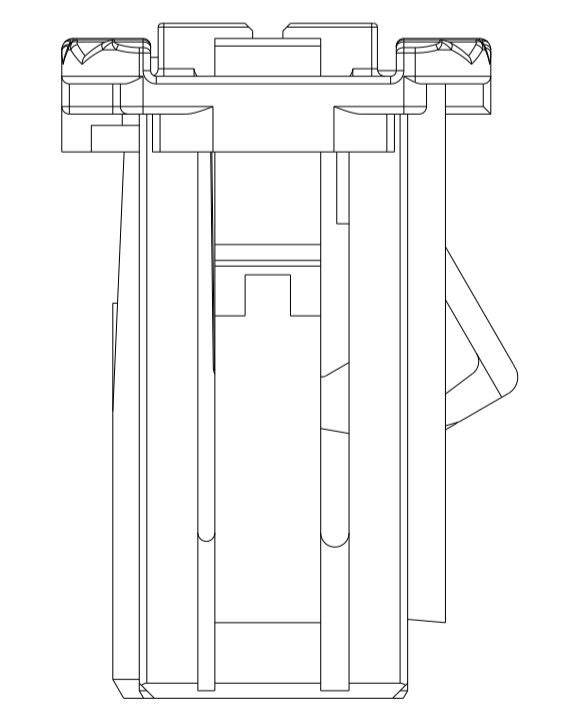
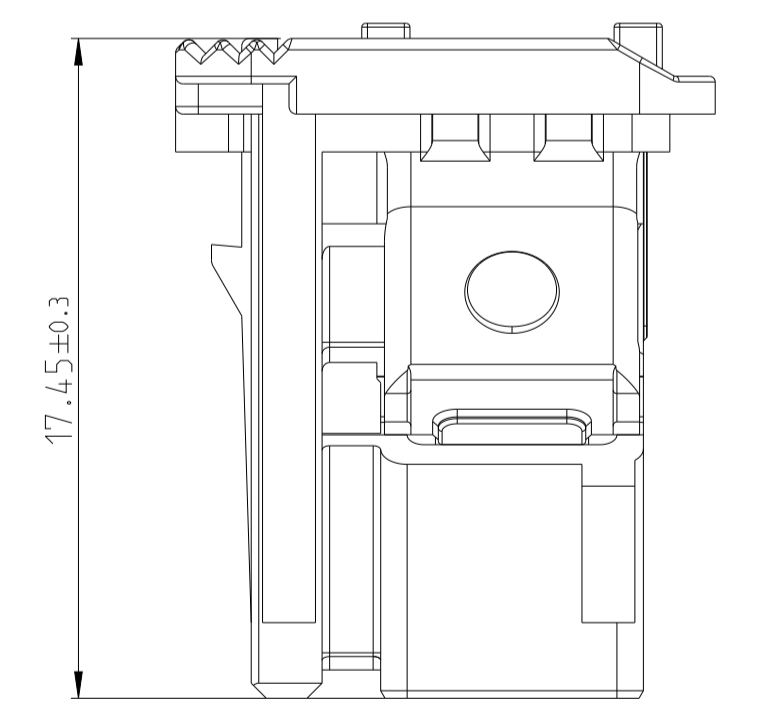
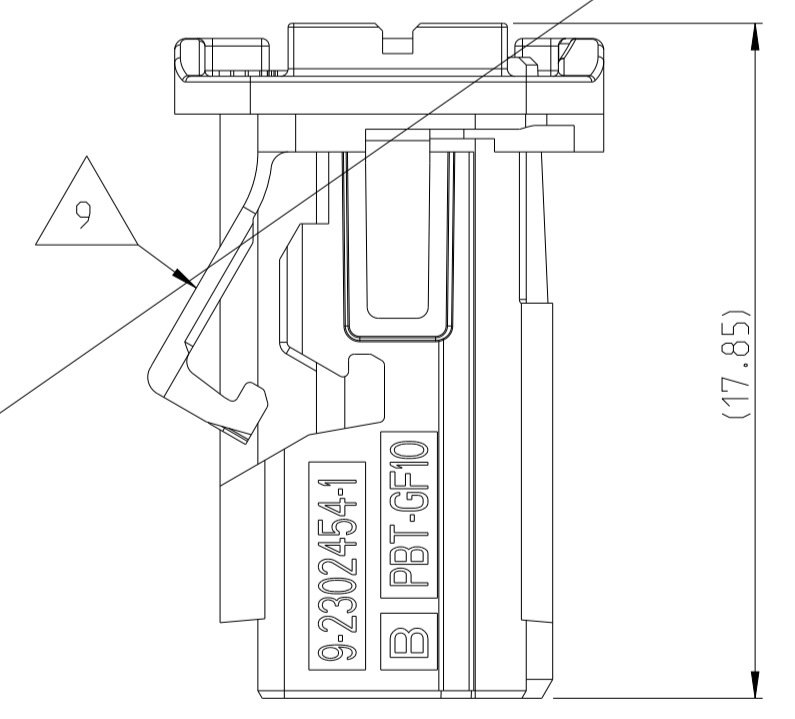
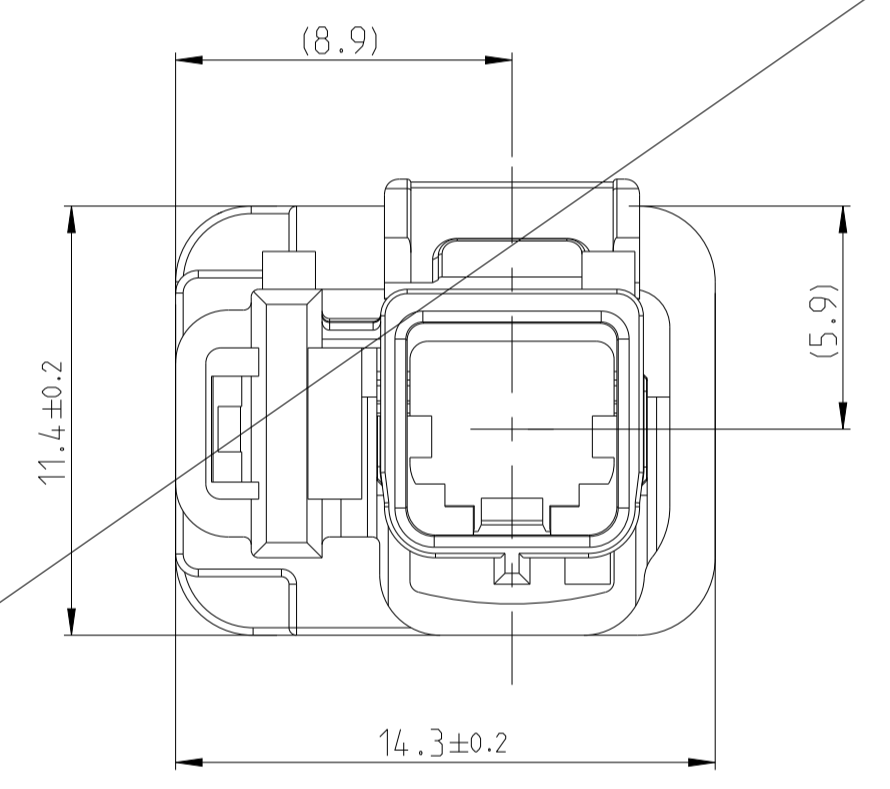


CODE	PART No.	Rev.	DESCRIPTION	MATERIAL	WEIGHT [g]	COLOUR similar RAL
Z	0-2302454-9	A	Single-Port MATEnet Frame, Code Z	PBT-GF10 0% regrind	0.9	water-blue 5021
J	0-2302454-7	A	Single-Port MATEnet Frame, Code J		0.9	beige 1064
C	0-2302454-3	A	Single-Port MATEnet Frame, Code C		0.9	blue 5012
B	0-2302454-2	A	Single-Port MATEnet Frame, Code B		0.9	white 9010
A	0-2302454-1	A	Single-Port MATEnet Frame, Code A		0.9	black 9011

THIS DRAWING IS A CONTROLLED DOCUMENT. DWN: J.KIEBWEITZER 16AUG2016  
 CHK: R.WUERKER 16AUG2016  
 DIMENSIONS: MASSENHEITEN: MITT  
 TOLERANCES UNLESS OTHERWISE SPECIFIED: ALLE DIMENSIONEN  
 0 PLC ±0.2  
 1 PLC ±0.1  
 2 PLC ±0.1  
 3 PLC ±0.1  
 4 PLC ±0.1  
 ANGLES/DIMEN: °/°  
 FINISH/SCHREIFLÄCHE/FARBE: see table  
 MATERIAL: see table  
 WEIGHT GEWICHT: see table  
 CUSTOMER DRAWING: /KUNDENZEICHNUNG  
 SCALE MASSSTAB: 5:1  
 SHEET BLATT: 1 OF 2  
 REV: B3  
 NAME: Single-Port MATEnet Frame SINGLE-PORT MATEnet FRAME  
 SIZE: A1  
 CAGE CODE: 00779  
 DRAWING NO: 0-2302454  
 RESTRICTED TO: NUR FÜR: -

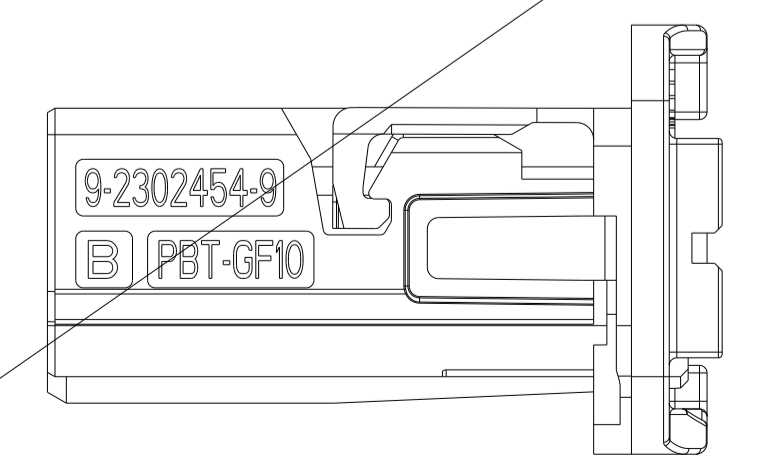


- Notizen / NOTES
- 9-2302454-1 Kodierung A wie dargestellt  
9-2302454-1 CODING A AS SHOWN
  - Passend zu Stiftwanne nach TE-Schnittstellenzeichnung 208-18006  
MATING TO PINHEADER ACC. TE-INTERFACE DRAWING 208-18006
  - Kammer fuer MATenet 2Pos. NanoMQS female Insert module TE PN 0-2302450-X  
CAVITY FOR MATenet 2Pos. NanoMQS FEMALE INSERT MODULE TE PN 0-2302450-X
  - TE-Logo  
TE-LOGO
  - TE-Teile Nummer  
TE-PART NUMBER
  - Revisionsstand  
PART REVISION
  - Kontaktkammernummer  
CONTACT CAVITY NUMBER
  - Produktionsdatum  
PRODUKTION DATE
  - Anlieferzustand: 2. Kontaktsicherung geöffnet  
DELIVERY CONDITION: RETAINER IN OPEN POSITION
  - Verpackung: Schuetzgut im Beutel im Karton  
PACKAGING: LOOSE PIECES IN BAG IN BOX



**OBSOLETE**

2. Kontaktsicherung geschlossen  
RETAINER CLOSED



### B-MUSTER PROTOTYPE B-SAMPLES

CODE	PART No.	Rev.	DESCRIPTION	MATERIAL	WEIGHT [g]	COLOUR similar RAL
Z	9-2302454-9	B	Single-Port MATenet Frame, Code Z	PBT-GF10	0.83	water-blue 5021
K	9-2302454-8	B	Single-Port MATenet Frame, Code K	PBT-GF10	0.87	curry yellow 1027
J	9-2302454-7	B	Single-Port MATenet Frame, Code J	PBT-GF10	0.87	beige 1001
H	9-2302454-6	B	Single-Port MATenet Frame, Code H	PBT-GF10	0.87	heather violet 4003
E	9-2302454-5	B	Single-Port MATenet Frame, Code E	PBT-GF10 0% regrind	0.87	green 6018
D	9-2302454-4	B	Single-Port MATenet Frame, Code D	PBT-GF10	0.87	claret violet 4004
C	9-2302454-3	B	Single-Port MATenet Frame, Code C	PBT-GF10	0.87	blue 5012
B	9-2302454-2	B	Single-Port MATenet Frame, Code B	PBT-GF10	0.87	white 9010
A	9-2302454-1	B	Single-Port MATenet Frame, Code A	PBT-GF10	0.87	black 9011

THIS DRAWING IS A CONTROLLED DOCUMENT. DIMENSIONS: MASSENHEITEN: mm. TOLERANCES UNLESS OTHERWISE SPECIFIED: ALLE DIMENSIONEN. MATERIAL: see table. WEIGHT: see table. CUSTOMER DRAWING. DWG: J.KIEBWEITER 16AUG2016. R.WUERKER 16AUG2016. A.KETTLER 29AUG2016. NAME: Single-Port MATenet Frame SINGLE-PORT MATenet FRAME. SIZE: A1. CAGE CODE: 00779. DRAWING NO: 2302454. RESTRICTED TO: NUR FÜR: B3.