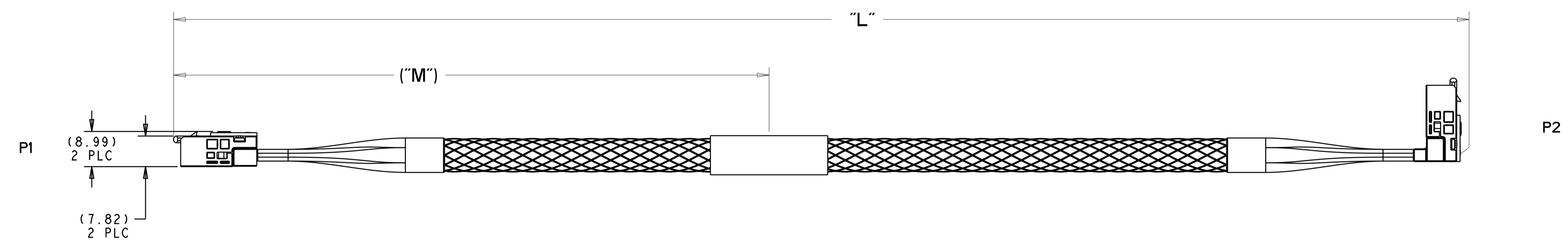
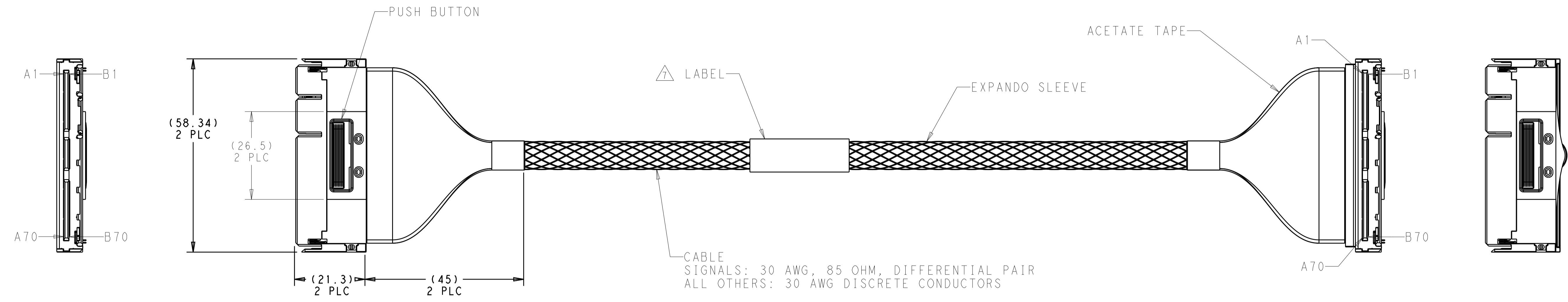


| REVISIONS |     |                           |           |       |
|-----------|-----|---------------------------|-----------|-------|
| P         | LTN | DESCRIPTION               | DATE      | APVD  |
| A         |     | REVISED PER ECR-19-012197 | 02AUG2019 | NN DZ |
|           |     |                           |           |       |
|           |     |                           |           |       |



1. ALL MATERIALS, COMPONENTS AND PROCESS SHALL COMPLY WITH TEC-138-702. (CONTAINS NO BANNED OR RESTRICTED SUBSTANCES).
2. NO REACH SVHC SHALL BE CONTAINED ABOVE THE THRESHOLD AS DEFINED IN REACH SVHC COMPLIANCE DEFINITION IN ANNEX A OF TEC-138-702.
3. ASSEMBLY TESTED FOR CONTINUITY, OPENS, SHORTS, AND SIGNAL INTEGRITY.
4. CABLE BEND RADIUS 5X BUNDLED CABLE OD.
5. SEE SHEET 2 AND 3 FOR WIRING SCHEMATIC.
6. CONNECTORS ARE GEN-Z COMPLIANT.

△ LABEL INFORMATION SHOWN BELOW:

|                      |               |                            |                            |
|----------------------|---------------|----------------------------|----------------------------|
| TE LOGO              |               | 2340884-X                  | TE P/N                     |
| DATE CODE & SERIAL # | YYWWSSSS      | BARCODE-CODE 39 "YYWWSSSS" | BARCODE (DATECODE/SERIAL#) |
| COUNTRY OF ORIGIN    | MADE IN _____ |                            |                            |

8. CABLE CONNECTOR MATES WITH TE SLIVER RECEPTACLE P/N 2332139-X, OR 2332205-X.

|       |             |           |
|-------|-------------|-----------|
| 500   | 1000 +10/-0 | 2340884-2 |
| 250   | 500 +10/-0  | 2340884-1 |
| ("M") | "L"         | TE P/N    |


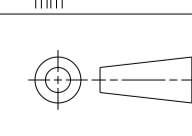
|  |  |                            |  |
|--|--|----------------------------|--|
| THIS DRAWING IS A CONTROLLED DOCUMENT.   |  | DWN: B. MATTHEWS 06AUG2018 | TE Connectivity<br>NAME: SLIVER 2.0 4C 30AWG STRAIGHT TO RIGHT ANGLE<br>SIZE: CAGE CODE DRAWING NO: A100779C=2340884<br>RESTRICTED TO: |
| DIMENSIONS: mm   |  | CHK: G. GUTGOLD 06AUG2018  |  |
| TOLERANCES UNLESS OTHERWISE SPECIFIED:   |  | APVD: -                    | PRODUCT SPEC: -  |
| 0 PLC ±.5<br>1 PLC ±0.5<br>2 PLC ±0.13<br>3 PLC ±0.013<br>4 PLC ±0.001<br>ANGLES ±.1 |  | APPLICATION SPEC: -        | WEIGHT: -  |
| MATERIAL: -  |  | FINISH: -                  | CUSTOMER DRAWING   |
| SCALE: 3:2   |  | SHEET: 1 OF 3              | REV: A   |

| REVISIONS |     |             |      |      |
|-----------|-----|-------------|------|------|
| P.        | LTN | DESCRIPTION | DATE | APVD |
| -         | -   | SEE SHEET 1 | -    | -    |
|           |     |             |      |      |
|           |     |             |      |      |

COMMONED

COMMONED

| P1      |          |             | WIRE TYPE | P2          |          |         |
|---------|----------|-------------|-----------|-------------|----------|---------|
| PIN NO. | PAIR NO. | DESIGNATION |           | DESIGNATION | PAIR NO. | PIN NO. |
| A1      |          | GROUND      | DISCRETE  | GROUND      |          | A1      |
| A2      |          | GROUND      | DISCRETE  | GROUND      |          | A2      |
| A3      |          | GROUND      | DISCRETE  | GROUND      |          | A3      |
| A4      |          | GROUND      | DISCRETE  | GROUND      |          | A4      |
| A5      |          | GROUND      | DISCRETE  | GROUND      |          | A5      |
| A6      |          | GROUND      | DISCRETE  | GROUND      |          | A6      |
| A7      |          | SIDE BAND   | DISCRETE  | SIDE BAND   |          | A7      |
| A8      |          | SIDE BAND   | DISCRETE  | SIDE BAND   |          | A8      |
| A9      |          | SIDE BAND   | DISCRETE  | SIDE BAND   |          | A9      |
| A10     |          | SIDE BAND   | DISCRETE  | SIDE BAND   |          | A10     |
| A11     |          | SIDE BAND   | DISCRETE  | SIDE BAND   |          | A11     |
| A12     |          | SIDE BAND   | DISCRETE  | SIDE BAND   |          | A12     |
| A13     |          | GND         |           | GND         |          | A13     |
| A14     |          | CLK         | DIFF PAIR | CLK         |          | A14     |
| A15     |          | CLK         | DIFF PAIR | CLK         |          | A15     |
| A16     |          | GND         |           | GND         |          | A16     |
| A17     | 0        | PCIeTX      | DIFF PAIR | PCIeTX      | 0        | A17     |
| A18     | 0        | PCIe TX     | DIFF PAIR | PCIe TX     | 0        | A18     |
| A19     |          | GND         |           | GND         |          | A19     |
| A20     | 1        | PCIeTX      | DIFF PAIR | PCIeTX      | 1        | A20     |
| A21     | 1        | PCIe TX     | DIFF PAIR | PCIe TX     | 1        | A21     |
| A22     |          | GND         |           | GND         |          | A22     |
| A23     | 2        | PCIeTX      | DIFF PAIR | PCIeTX      | 2        | A23     |
| A24     | 2        | PCIe TX     | DIFF PAIR | PCIe TX     | 2        | A24     |
| A25     |          | GND         |           | GND         |          | A25     |
| A26     | 3        | PCIeTX      | DIFF PAIR | PCIeTX      | 3        | A26     |
| A27     | 3        | PCIe TX     | DIFF PAIR | PCIe TX     | 3        | A27     |
| A28     |          | GND         |           | GND         |          | A28     |
|         |          | KEY         |           | KEY         |          |         |
| A29     |          | GND         |           | GND         |          | A29     |
| A30     | 4        | PCIeTX      | DIFF PAIR | PCIeTX      | 4        | A30     |
| A31     | 4        | PCIe TX     | DIFF PAIR | PCIe TX     | 4        | A31     |
| A32     |          | GND         |           | GND         |          | A32     |
| A33     | 5        | PCIeTX      | DIFF PAIR | PCIeTX      | 5        | A33     |
| A34     | 5        | PCIe TX     | DIFF PAIR | PCIe TX     | 5        | A34     |
| A35     |          | GND         |           | GND         |          | A35     |
| A36     | 6        | PCIeTX      | DIFF PAIR | PCIeTX      | 6        | A36     |
| A37     | 6        | PCIe TX     | DIFF PAIR | PCIe TX     | 6        | A37     |
| A38     |          | GND         |           | GND         |          | A38     |
| A39     | 7        | PCIeTX      | DIFF PAIR | PCIeTX      | 7        | A39     |
| A40     | 7        | PCIe TX     | DIFF PAIR | PCIe TX     | 7        | A40     |
| A41     |          | GND         |           | GND         |          | A41     |
| A42     |          | SIDE BAND   | DISCRETE  | SIDE BAND   |          | A42     |
|         |          | KEY         |           | KEY         |          |         |
| A43     |          | GND         |           | GND         |          | A43     |
| A44     | 8        | PCIeTX      | DIFF PAIR | PCIeTX      | 8        | A44     |
| A45     | 8        | PCIe TX     | DIFF PAIR | PCIe TX     | 8        | A45     |
| A46     |          | GND         |           | GND         |          | A46     |
| A47     | 9        | PCIeTX      | DIFF PAIR | PCIeTX      | 9        | A47     |
| A48     | 9        | PCIe TX     | DIFF PAIR | PCIe TX     | 9        | A48     |
| A49     |          | GND         |           | GND         |          | A49     |
| A50     | 10       | PCIeTX      | DIFF PAIR | PCIeTX      | 10       | A50     |
| A51     | 10       | PCIe TX     | DIFF PAIR | PCIe TX     | 10       | A51     |
| A52     |          | GND         |           | GND         |          | A52     |
| A53     | 11       | PCIeTX      | DIFF PAIR | PCIeTX      | 11       | A53     |
| A54     | 11       | PCIe TX     | DIFF PAIR | PCIe TX     | 11       | A54     |
| A55     |          | GND         |           | GND         |          | A55     |
| A56     | 12       | PCIeTX      | DIFF PAIR | PCIeTX      | 12       | A56     |
| A57     | 12       | PCIe TX     | DIFF PAIR | PCIe TX     | 12       | A57     |
| A58     |          | GND         |           | GND         |          | A58     |
| A59     | 13       | PCIeTX      | DIFF PAIR | PCIeTX      | 13       | A59     |
| A60     | 13       | PCIe TX     | DIFF PAIR | PCIe TX     | 13       | A60     |
| A61     |          | GND         |           | GND         |          | A61     |
| A62     | 14       | PCIeTX      | DIFF PAIR | PCIeTX      | 14       | A62     |
| A63     | 14       | PCIe TX     | DIFF PAIR | PCIe TX     | 14       | A63     |
| A64     |          | GND         |           | GND         |          | A64     |
| A65     | 15       | PCIeTX      | DIFF PAIR | PCIeTX      | 15       | A65     |
| A66     | 15       | PCIe TX     | DIFF PAIR | PCIe TX     | 15       | A66     |
| A67     |          | GND         |           | GND         |          | A67     |
| A68     |          | RESERVED    | DISCRETE  | RESERVED    |          | A68     |
| A69     |          | RESERVED    | DISCRETE  | RESERVED    |          | A69     |
| A70     |          | RESERVED    | DISCRETE  | RESERVED    |          | A70     |

|  |  |  |  |
|--|--|--|--|
| THIS DRAWING IS A CONTROLLED DOCUMENT.   |  | DWN<br>B. MATTHEWS<br>06AUG2018                        | <br>TE Connectivity |
|  |  | CHK<br>G. GUTGOLD<br>06AUG2018                         |  |
| DIMENSIONS:<br>mm  |  | NAME<br>SLIVER 2.0 4C 30AWG<br>STRAIGHT TO RIGHT ANGLE |  |
|                                       |  | PRODUCT SPEC<br>APPLICATION SPEC                       |  |
| MATERIAL<br>FINISH   |  | WEIGHT<br>CUSTOMER DRAWING                             |  |
| TOLERANCES UNLESS OTHERWISE SPECIFIED:<br>0 PLC ±<br>1 PLC ±0.5<br>2 PLC ±0.13<br>3 PLC ±0.013<br>4 PLC ±0.001<br>ANGLES ± |  | SIZE CAGE CODE DRAWING NO<br>A100779C=2340884          |  |
|  |  | RESTRICTED TO<br>SCALE 1:1 SHEET 2 OF 3 REV A          |  |

| REVISIONS |     |             |      |      |
|-----------|-----|-------------|------|------|
| P.        | LT# | DESCRIPTION | DATE | APVD |
| -         | -   | SEE SHEET 1 | -    | -    |
|           |     |             |      |      |
|           |     |             |      |      |

| P1      |          |               |           | WIRE TYPE     | P2          |          |         |
|---------|----------|---------------|-----------|---------------|-------------|----------|---------|
| PIN NO. | PAIR NO. | DESIGNATION   |           |               | DESIGNATION | PAIR NO. | PIN NO. |
| B1      |          | 12V POWER     | DISCRETE  | 12V POWER     |             | B1       |         |
| B2      |          | 12V POWER     | DISCRETE  | 12V POWER     |             | B2       |         |
| B3      |          | 12V POWER     | DISCRETE  | 12V POWER     |             | B3       |         |
| B4      |          | 12V POWER     | DISCRETE  | 12V POWER     |             | B4       |         |
| B5      |          | 12V POWER     | DISCRETE  | 12V POWER     |             | B5       |         |
| B6      |          | 12V POWER     | DISCRETE  | 12V POWER     |             | B6       |         |
| B7      |          | SIDE BAND     | DISCRETE  | SIDE BAND     |             | B7       |         |
| B8      |          | SIDE BAND     | DISCRETE  | SIDE BAND     |             | B8       |         |
| B9      |          | SIDE BAND     | DISCRETE  | SIDE BAND     |             | B9       |         |
| B10     |          | SIDE BAND     | DISCRETE  | SIDE BAND     |             | B10      |         |
| B11     |          | 3.3 AUX POWER | DISCRETE  | 3.3 AUX POWER |             | B11      |         |
| B12     |          | SIDE BAND     | DISCRETE  | SIDE BAND     |             | B12      |         |
| B13     |          | GND           |           | GND           |             | B13      |         |
| B14     |          | CLK           | DIFF PAIR | CLK           |             | B14      |         |
| B15     |          | CLK           | DIFF PAIR | CLK           |             | B15      |         |
| B16     |          | GND           |           | GND           |             | B16      |         |
| B17     | 0        | PCIe RX       | DIFF PAIR | PCIe RX       | 0           | B17      |         |
| B18     | 0        | PCIe RX       | DIFF PAIR | PCIe RX       | 0           | B18      |         |
| B19     |          | GND           |           | GND           |             | B19      |         |
| B20     | 1        | PCIe RX       | DIFF PAIR | PCIe RX       | 1           | B20      |         |
| B21     | 1        | PCIe RX       | DIFF PAIR | PCIe RX       | 1           | B21      |         |
| B22     |          | GND           |           | GND           |             | B22      |         |
| B23     | 2        | PCIe RX       | DIFF PAIR | PCIe RX       | 2           | B23      |         |
| B24     | 2        | PCIe RX       | DIFF PAIR | PCIe RX       | 2           | B24      |         |
| B25     |          | GND           |           | GND           |             | B25      |         |
| B26     | 3        | PCIe RX       | DIFF PAIR | PCIe RX       | 3           | B26      |         |
| B27     | 3        | PCIe RX       | DIFF PAIR | PCIe RX       | 3           | B27      |         |
| B28     |          | GND           |           | GND           |             | B28      |         |
|         |          | KEY           |           | KEY           |             |          |         |
| B29     |          | GND           |           | GND           |             | B29      |         |
| B30     | 4        | PCIe RX       | DIFF PAIR | PCIe RX       | 4           | B30      |         |
| B31     | 4        | PCIe RX       | DIFF PAIR | PCIe RX       | 4           | B31      |         |
| B32     |          | GND           |           | GND           |             | B32      |         |
| B33     | 5        | PCIe RX       | DIFF PAIR | PCIe RX       | 5           | B33      |         |
| B34     | 5        | PCIe RX       | DIFF PAIR | PCIe RX       | 5           | B34      |         |
| B35     |          | GND           |           | GND           |             | B35      |         |
| B36     | 6        | PCIe RX       | DIFF PAIR | PCIe RX       | 6           | B36      |         |
| B37     | 6        | PCIe RX       | DIFF PAIR | PCIe RX       | 6           | B37      |         |
| B38     |          | GND           |           | GND           |             | B38      |         |
| B39     | 7        | PCIe RX       | DIFF PAIR | PCIe RX       | 7           | B39      |         |
| B40     | 7        | PCIe RX       | DIFF PAIR | PCIe RX       | 7           | B40      |         |
| B41     |          | GND           |           | GND           |             | B41      |         |
| B42     |          | PRSNT DETECT  | DISCRETE  | PRSNT DETECT  |             | B42      |         |
|         |          | KEY           |           | KEY           |             |          |         |
| B43     |          | GND           |           | GND           |             | B43      |         |
| B44     | 8        | PCIe RX       | DIFF PAIR | PCIe RX       | 8           | B44      |         |
| B45     | 8        | PCIe RX       | DIFF PAIR | PCIe RX       | 8           | B45      |         |
| B46     |          | GND           |           | GND           |             | B46      |         |
| B47     | 9        | PCIe RX       | DIFF PAIR | PCIe RX       | 9           | B47      |         |
| B48     | 9        | PCIe RX       | DIFF PAIR | PCIe RX       | 9           | B48      |         |
| B49     |          | GND           |           | GND           |             | B49      |         |
| B50     | 10       | PCIe RX       | DIFF PAIR | PCIe RX       | 10          | B50      |         |
| B51     | 10       | PCIe RX       | DIFF PAIR | PCIe RX       | 10          | B51      |         |
| B52     |          | GND           |           | GND           |             | B52      |         |
| B53     | 11       | PCIe RX       | DIFF PAIR | PCIe RX       | 11          | B53      |         |
| B54     | 11       | PCIe RX       | DIFF PAIR | PCIe RX       | 11          | B54      |         |
| B55     |          | GND           |           | GND           |             | B55      |         |
| B56     | 12       | PCIe RX       | DIFF PAIR | PCIe RX       | 12          | B56      |         |
| B57     | 12       | PCIe RX       | DIFF PAIR | PCIe RX       | 12          | B57      |         |
| B58     |          | GND           |           | GND           |             | B58      |         |
| B59     | 13       | PCIe RX       | DIFF PAIR | PCIe RX       | 13          | B59      |         |
| B60     | 13       | PCIe RX       | DIFF PAIR | PCIe RX       | 13          | B60      |         |
| B61     |          | GND           |           | GND           |             | B61      |         |
| B62     | 14       | PCIe RX       | DIFF PAIR | PCIe RX       | 14          | B62      |         |
| B63     | 14       | PCIe RX       | DIFF PAIR | PCIe RX       | 14          | B63      |         |
| B64     |          | GND           |           | GND           |             | B64      |         |
| B65     | 15       | PCIe RX       | DIFF PAIR | PCIe RX       | 15          | B65      |         |
| B66     | 15       | PCIe RX       | DIFF PAIR | PCIe RX       | 15          | B66      |         |
| B67     |          | GND           |           | GND           |             | B67      |         |
| B68     |          | RESERVED      | DISCRETE  | RESERVED      |             | B68      |         |
| B69     |          | RESERVED      | DISCRETE  | RESERVED      |             | B69      |         |
| B70     |          | PRSNT DETECT  | DISCRETE  | PRSNT DETECT  |             | B70      |         |

THIS DRAWING IS A CONTROLLED DOCUMENT. DWN: B. MATTHEWS, 06AUG2018  
 CHK: G. GUTGOLD, 06AUG2018

**STE** TE Connectivity

NAME: SLIVER 2.0 4C 30AWG STRAIGHT TO RIGHT ANGLE

SIZE: A1 CAGE CODE: 2340884 DRAWING NO: 100779

RESTRICTED TO: CUSTOMER DRAWING

SCALE: 1:1 SHEET 3 OF 3 REV: A