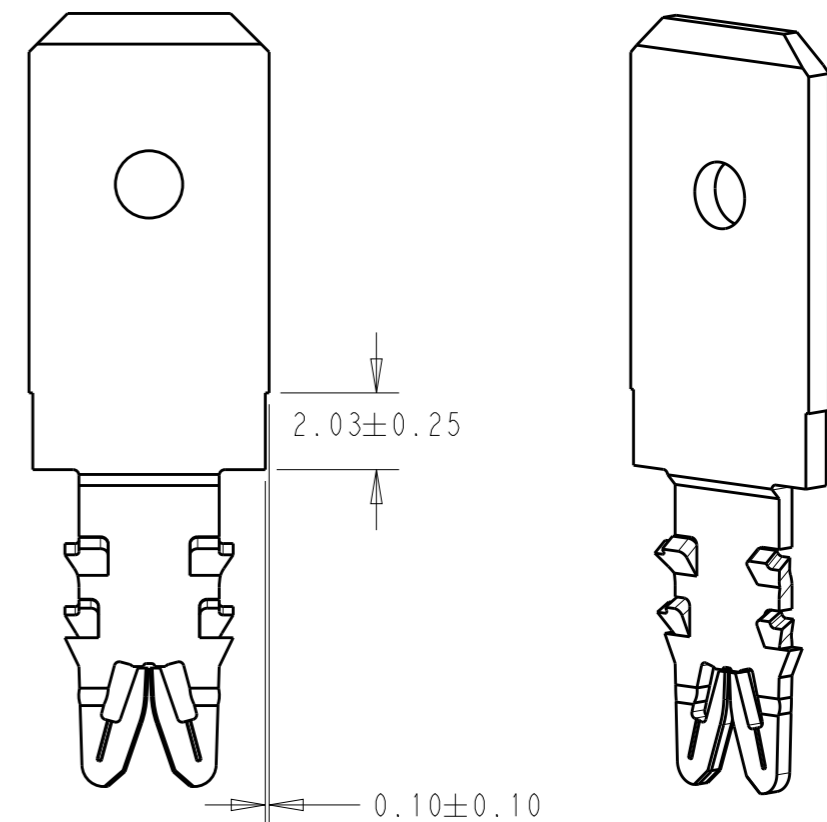
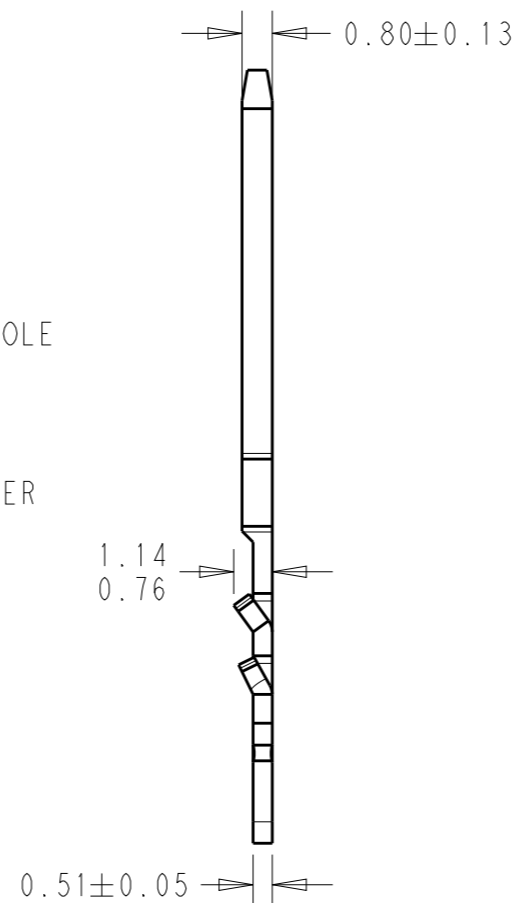
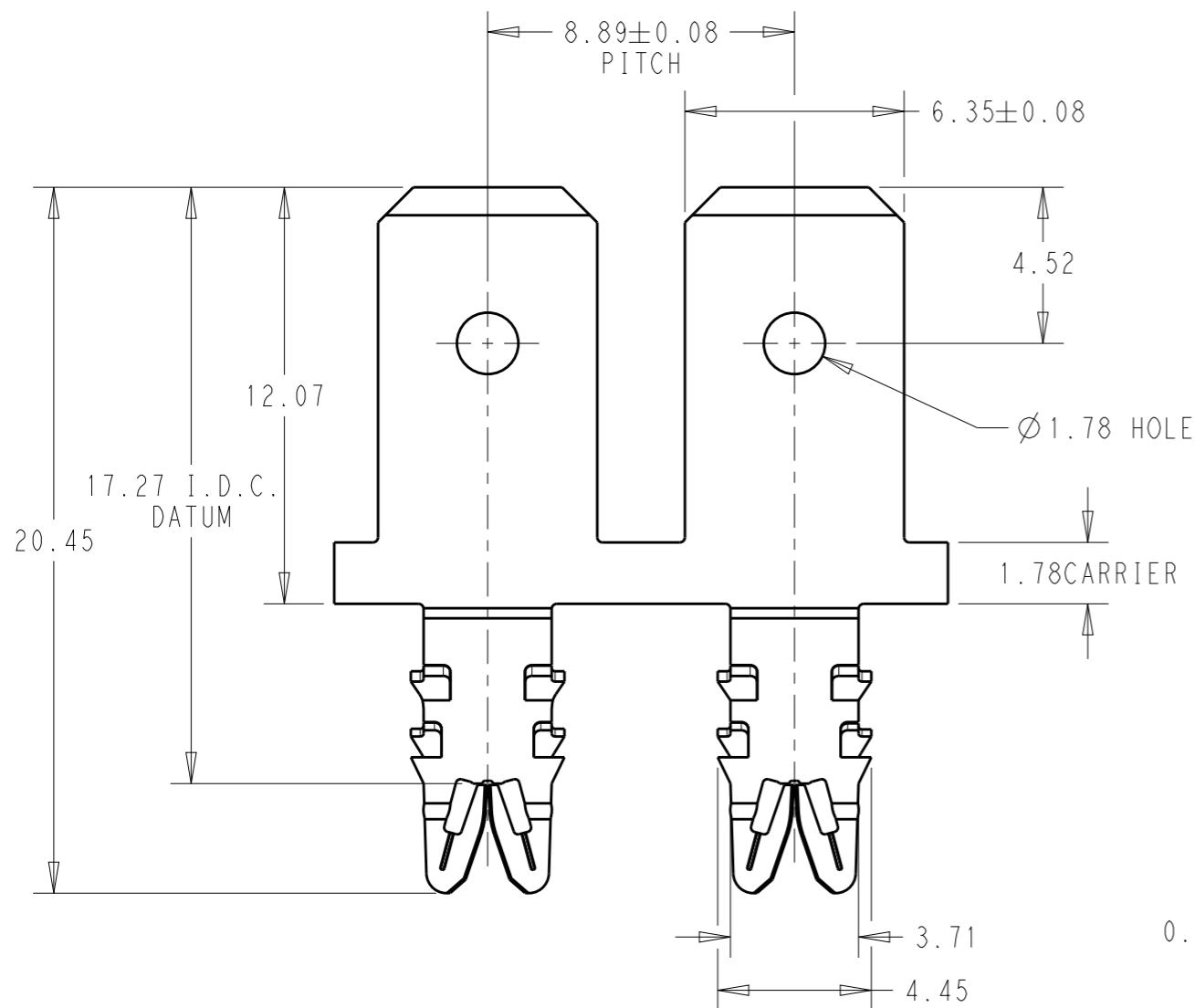


P	LTR	DESCRIPTION	DATE	DWN	APVD
	A	INITIAL RELEASE PER ECR-20-010137	21JULY2020	JH	TD



LOOSE PIECE CONFIGURATION  
4-2348504-(-)



NOTES:

1 SPECIFICATION  
0.45-1.00mm MAGNET ALUMINUM WIRE.

2 POCKET RECOMMENDATION: #1601425

3 TERMINAL APPLICATION TO COMPLY WITH TE CONNECTIVITY  
SPECIFICATION 114-13166 FIGURE 6.

POST TIN PLATE	2348504-2
Finish	Part Number

THIS DRAWING IS A CONTROLLED DOCUMENT.		DWN JUSTIN HUANG 29MAR2019	 TE Connectivity	
DIMENSIONS: mm		CHK JUSTIN HUANG 29MAR2019		
TOLERANCES UNLESS OTHERWISE SPECIFIED:		APVD SENTHIL KUMAR 29MAR2019	NAME WIRE TO 250X032 TAB, STD, SMZ FOR AL WIRE, WITH MULTI-BARB	
0 PLC ±-		PRODUCT SPEC 108-2085	-	
1 PLC ±-		APPLICATION SPEC -	-	
2 PLC ±0.13		WEIGHT -	RESTRICTED TO	
3 PLC ±-			SIZE A3	CAGE CODE 00779
4 PLC ±-			DRAWING NO C-2348504	RESTRICTED TO
ANGLES ±2°		RESTRICTED CUSTOMER		SCALE 5:1
MATERIAL BRASS	FINISH SEE TABLE	SHEET 1 OF 1		REV A