

- NOTE:
1. 19" EIA RACK MOUNT COMPLIANT.
 2. RAILS ACCEPT 3/8" CAGENUT.
 3. BLACK POWDER COAT.

| | | | | | | |
|--|------------------|----------|--|-----------|------|--|
| <p>PROPRIETARY AND CONFIDENTIAL THE INFORMATION CONTAINED IN THIS DRAWING IS THE SOLE PROPERTY OF KENDALL HOWARD. ANY REPRODUCTION IN PART OR AS A WHOLE WITHOUT THE WRITTEN PERMISSION OF KENDALL HOWARD IS STRICTLY PROHIBITED.</p> | WEB PRINT | | <p>UNLESS OTHERWISE SPECIFIED: DIMENSIONS ARE IN INCHES TOLERANCES: FRACTIONAL $\pm 1/8$ ANGULAR: BEND ± 1 DEGREE TWO PLACE DECIMAL $\pm .03$ THREE PLACE DECIMAL $\pm .01$ Surface Area</p> | NAME | DATE | <p>KENDALL HOWARD </p> <p>TITLE: 37U LINIER FS CONVEX FRONT/ VENTED REAR</p> |
| | | | | DRAWN | | |
| | | | | CHECKED | | |
| | | | | ENG APPR. | | |
| | | | | MFG APPR. | | |
| | | MATERIAL | Q.A. | | | SIZE DWG. NO. REV |
| | NEXT ASSY | USED ON | FINISH | COMMENTS: | | A 3110-3-001-37 WP |
| | APPLICATION | | DO NOT SCALE DRAWING | | | SCALE: 1:20 WEIGHT: 161.23 SHEET 1 OF 2 |

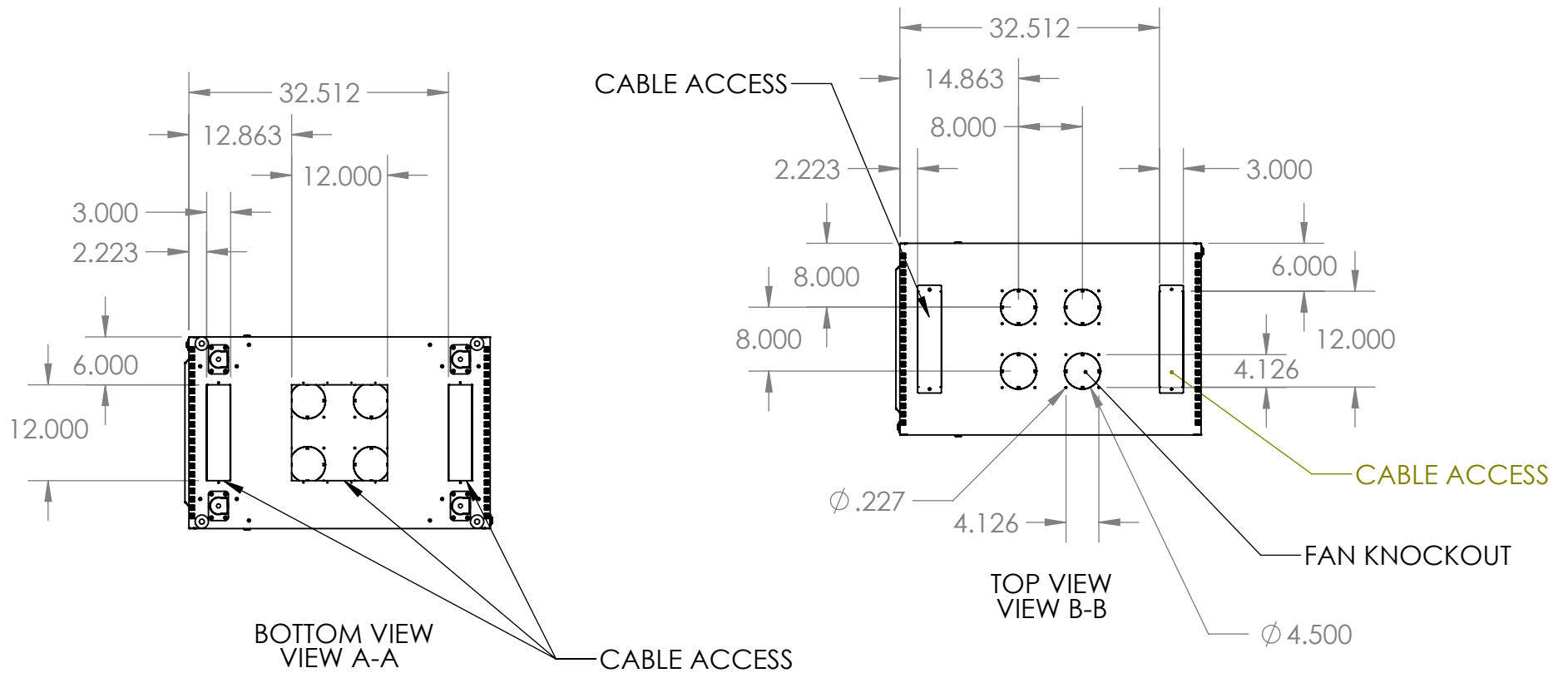
5

4

3

2

1



PROPRIETARY AND CONFIDENTIAL
 THE INFORMATION CONTAINED IN THIS DRAWING IS THE SOLE PROPERTY OF KENDALL HOWARD. ANY REPRODUCTION IN PART OR AS A WHOLE WITHOUT THE WRITTEN PERMISSION OF KENDALL HOWARD IS STRICTLY PROHIBITED.

WEB PRINT

| | |
|-------------|---------|
| NEXT ASSY | USED ON |
| APPLICATION | |

UNLESS OTHERWISE SPECIFIED:
 DIMENSIONS ARE IN INCHES
 TOLERANCES:
 FRACTIONAL ± 1/8
 ANGULAR: BEND ± 1 DEGREE
 TWO PLACE DECIMAL ± .03
 THREE PLACE DECIMAL ± .01

Surface Area

MATERIAL

FINISH

DO NOT SCALE DRAWING

| | NAME | DATE |
|-----------|------|------|
| DRAWN | | |
| CHECKED | | |
| ENG APPR. | | |
| MFG APPR. | | |
| Q.A. | | |
| COMMENTS: | | |

KENDALL HOWARD

TITLE:
37U LINIER FS CONVEX FRONT/ VENTED REAR

| | | |
|-------------|-------------------------|--------------|
| SIZE | DWG. NO. | REV |
| A | 3110-3-001-37 WP | |
| SCALE: 1:20 | WEIGHT: 161.23 | SHEET 2 OF 2 |