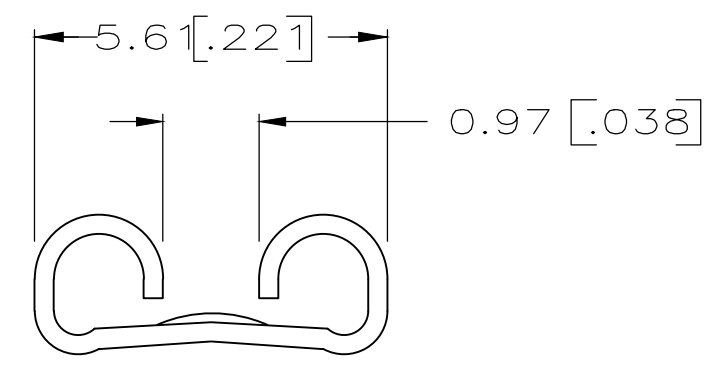
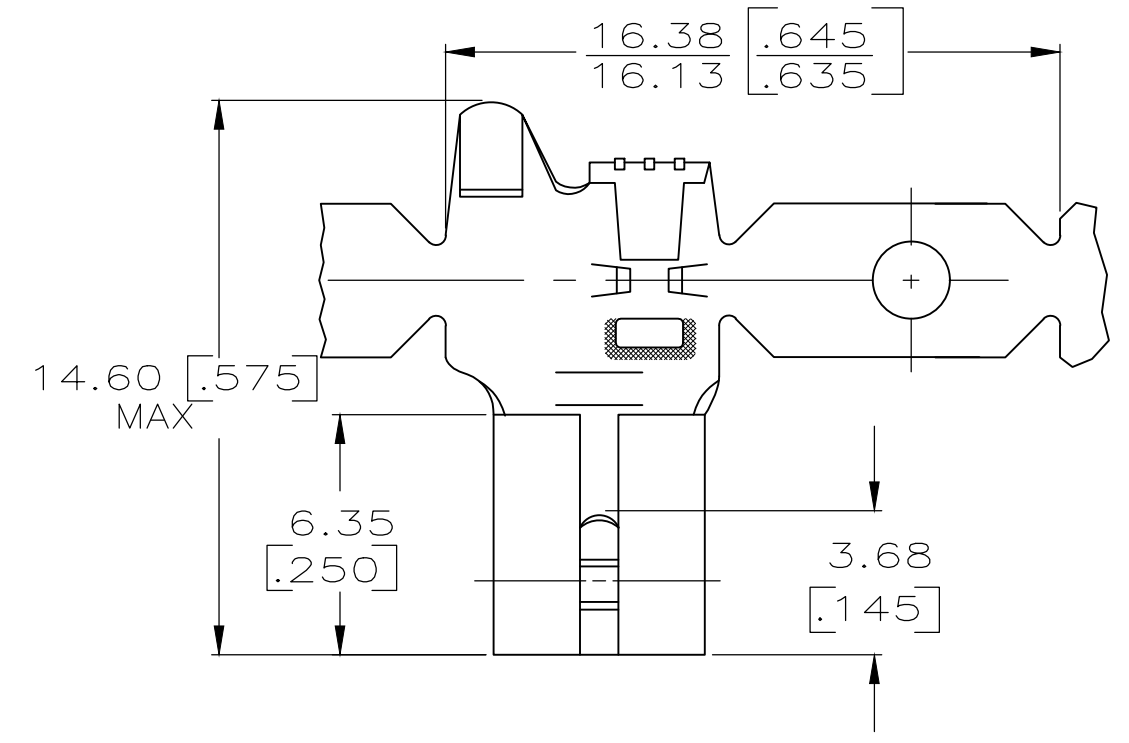
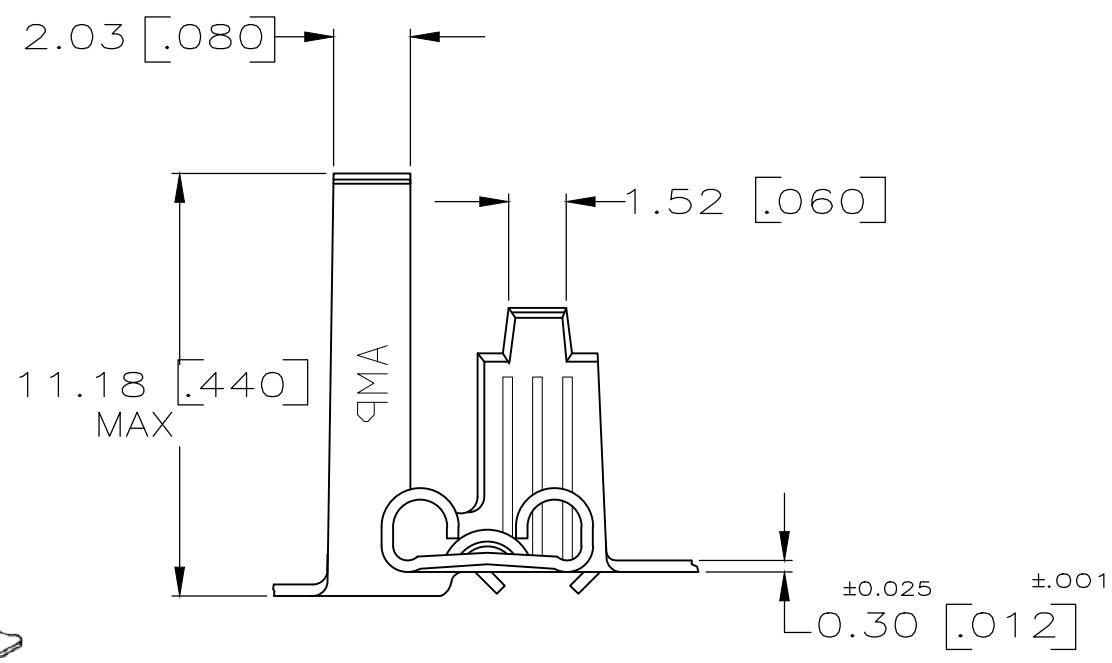


THIS DRAWING IS UNPUBLISHED. RELEASED FOR PUBLICATION
 © COPYRIGHT - By - ALL RIGHTS RESERVED.

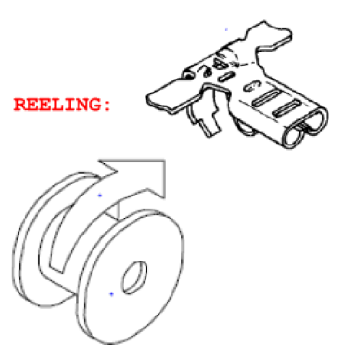
REVISIONS					
P	LTR	DESCRIPTION	DATE	DWN	APVD
	R	REVISED PER ECO-19-013963	17SEP2019	RS	DH



VIEW A-A



- CONTINUOUS STRIP ON REELS
- DIMENSIONS IN BRACKETS ARE IN INCHES
- WIRE SIZE IS [#20-#16] AWG
- INSULATION RANGE IS 4.32-5.71 [.170-.225] DIA
- MATING TAB THK IS 0.51±0.025 [.020±.001]
- △ PRELIMINARY - NOT FOR PRODUCTION



0.002032 [.000080] MIN TIN	△ 62817-2
-	62817-1
FINISH	PART NO.

THIS DRAWING IS A CONTROLLED DOCUMENT.		DWN	JR RUTH	5/19/87	STE TE Connectivity													
DIMENSIONS: mm [INCHES]		CHK	G YETTER	7/9/87														
TOLERANCES UNLESS OTHERWISE SPECIFIED:		APVD	R KUZO	7/9/87	NAME													
<table border="0"> <tr><td>0 PLC</td><td>± -</td></tr> <tr><td>1 PLC</td><td>± -</td></tr> <tr><td>2 PLC</td><td>± -</td></tr> <tr><td>3 PLC</td><td>± 0.38 [.015]</td></tr> <tr><td>4 PLC</td><td>± -</td></tr> <tr><td>ANGLES</td><td>± -</td></tr> </table>		0 PLC	± -	1 PLC	± -	2 PLC	± -	3 PLC	± 0.38 [.015]	4 PLC	± -	ANGLES	± -	PRODUCT SPEC		RECEPTACLE, FASTON, FLAG, .187 SERIES		
0 PLC	± -																	
1 PLC	± -																	
2 PLC	± -																	
3 PLC	± 0.38 [.015]																	
4 PLC	± -																	
ANGLES	± -																	
MATERIAL		APPLICATION SPEC		RESTRICTED TO														
BRASS		FINISH		-														
SEE TABLE		WEIGHT	0.000000		SIZE	CAGE CODE	DRAWING NO											
		CUSTOMER DRAWING		A3	00779	G-62817												
		SCALE		5:1	SHEET	1 OF 1	REV											
							R											