

UNLESS OTHERWISE SPECIFIED THE TOLERANCES ARE:  
 0.00 ±0.25 ANG 0.0 ±2°  
 0.000 ±0.13

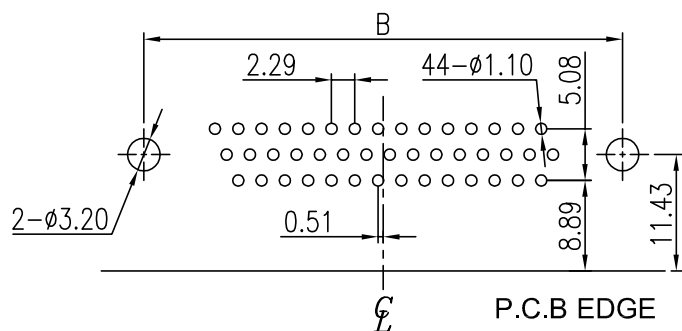
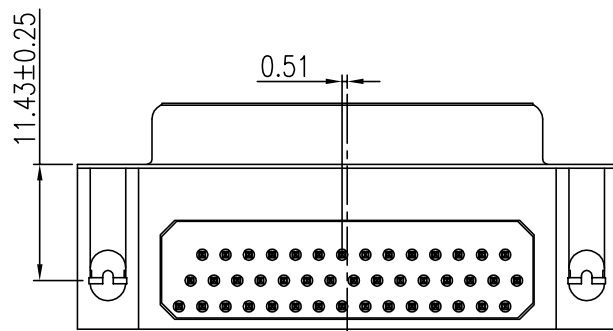
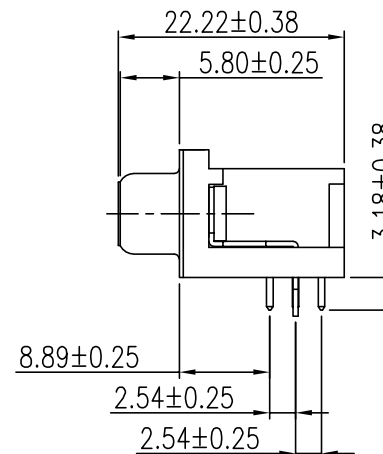
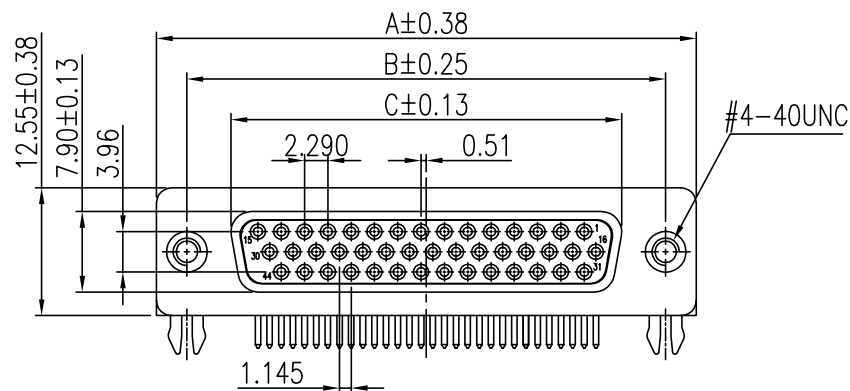
THIS IS A C.A.D. GENERATED DRAWING  
 DO NOT MAKE MANUAL REVISIONS TO MASTER



ISSUE NUMBER

ORIGINAL

1



RECOMMENDED P.C.B LAYOUT

634-0XX-268-032

└── NO. OF POSITIONS

SPECIFICATIONS:

1. HOUSING: PBT, UL 94V-0, COLOR:BLACK.
2. TERMINAL: COPPER ALLOY, GOLD FLASH AT CONTACT AREA  
TIN PLATED AT SOLDER AREA OVER NICKEL UNDERPLATE
3. SHELL: SPCC, NICKEL PLATED
4. BOARD LOCKS: COPPER ALLOY, TIN PLATED
5. RIVET: COPPER ALLOY, NICKEL PLATED
6. VOLTAGE RATING: 250 VAC (RMS) MAX
7. CURRENT RATING: 3 AMPERE PER CONTACT
8. CONTACT RESISTANCE: 25 MILLIOHMS MAX
9. INSULATION RESISTANCE: 5000 MEGOHMS MIN
10. DIELECTRIC WITHSTANDING VOLTAGE: 1000 VAC (RMS)
11. OPERATING TEMPERATURE: -55°C TO +85°C

PART NUMBER	A	B	C
634-015-268-032	30.14	24.14	15.48
634-026-268-032	39.30	33.30	24.64
634-044-268-032	53.04	47.04	38.38
634-062-268-032	66.78	60.78	52.12



THIS SERIES FULLY CONFORMS TO THE EUROPEAN UNION DIRECTIVES 2011/65/EU FOR RoHS COMPLIANCY.

HIGH DENSITY D-SUB CONNECTOR

0.35"(8.89mm) FOOTPRINT, RIGHT ANGLE, WITH FERRITE



YOUR CONNECTION TO QUALITY & SERVICE

EDAC INC  
 TORONTO, ONTARIO  
 CANADA

THESE DRAWINGS AND SPECIFICATIONS ARE THE PROPERTY OF EDAC INC., AND SHALL NOT BE REPRODUCED, OR COPIED OR USED AS THE BASIS FOR THE MANUFACTURE OR SALE OF APPARATUS WITHOUT WRITTEN PERMISSION.

ACAD REFERENCE NO.	SEE TABLE
DRAWN: J.L.	DATE: APR. 05/2022
PART NUMBER	SEE TABLE
DRAWING NUMBER	ISSUE
634-0XX-268-032	1