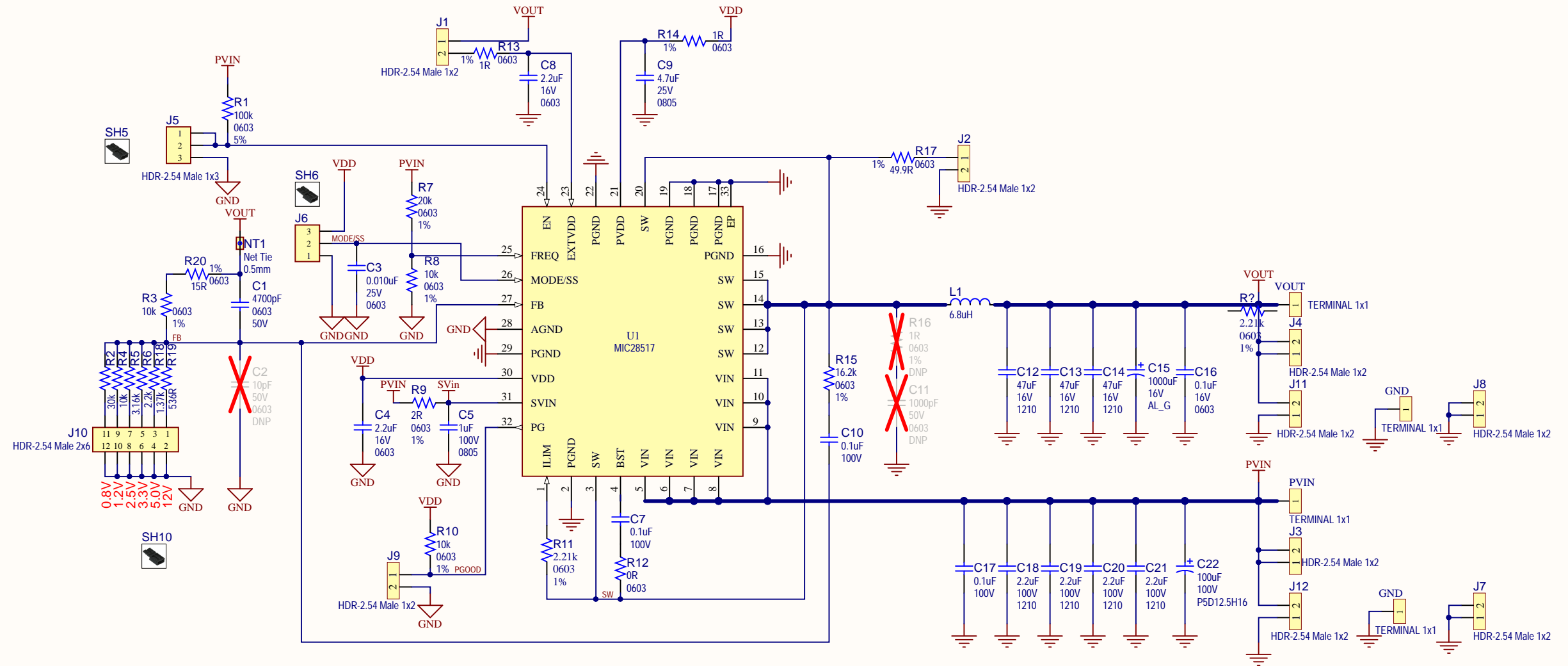


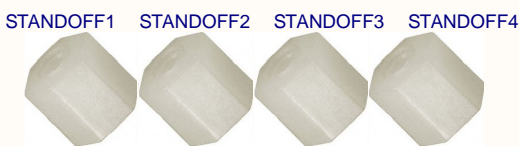
| REV | ECO# | DESCRIPTION | DATE |
|-----|------|-------------|------|
| | | | |



Heatsink



Screw Nylon
SCREW Nylon #6-32 x 1/4"



STAND-OFF Nylon #6-32 x 3/8"



Label Need Help Large

| | | | |
|--|-----------------|---|--|
| Drawn By: Sergiu Gheorghe | | | |
| Engineer: Sergiu Gheorghe | | | |
| PartNumber: ADM00995 | | Project Title MIC28517 Evaluation Board | |
| Sheet Title MIC28517 Evaluation Board | | | |
| Size B | Sch #03-10825-2 | Date: 6/26/2020 2:55:49 PM | |
| Revision:1.1 | Sheet 1 of 1 | File: MIC28517.SchDoc | |