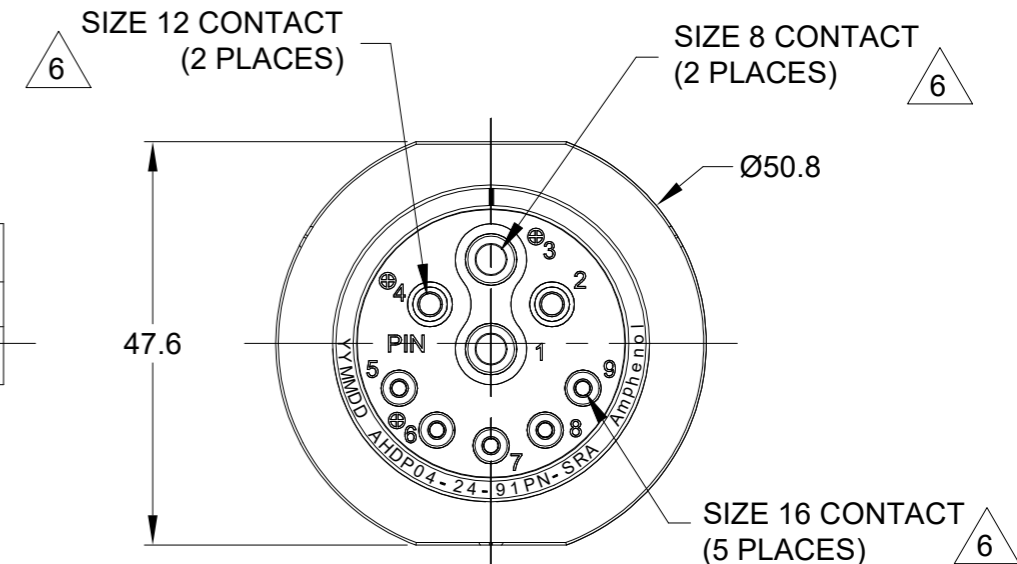
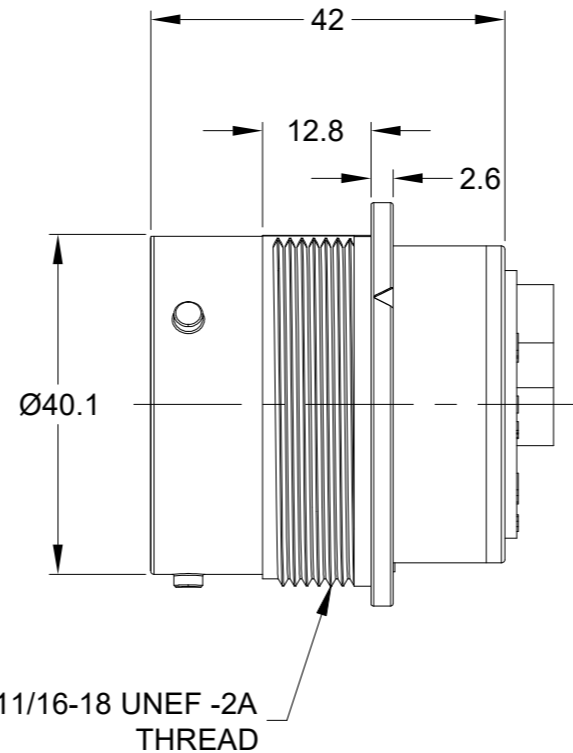
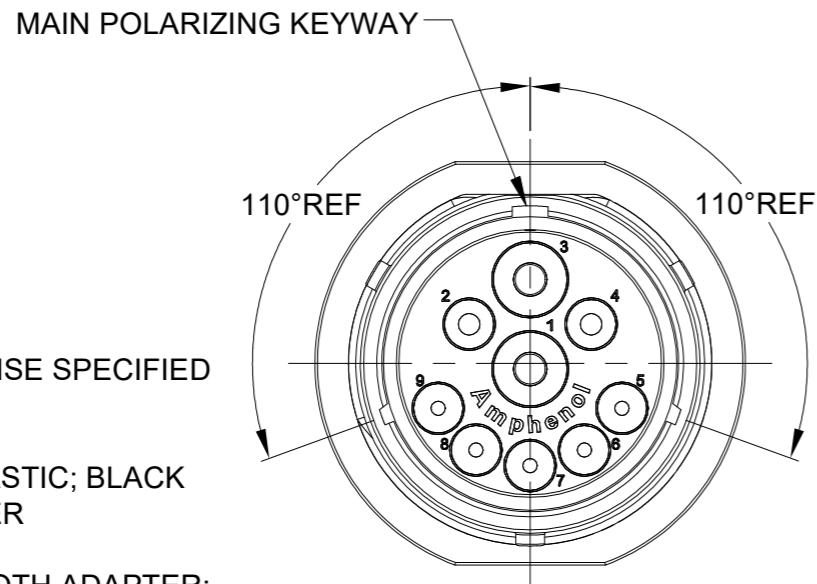


| REVISIONS | | | | | |
|-----------|-----|---------------------|-----------|-----|-------|
| REV | ECO | DESCRIPTION | DATE | BY | APPR |
| A1 | - | RELEASE NEW DRAWING | 04/JAN/22 | IAN | TOMMY |



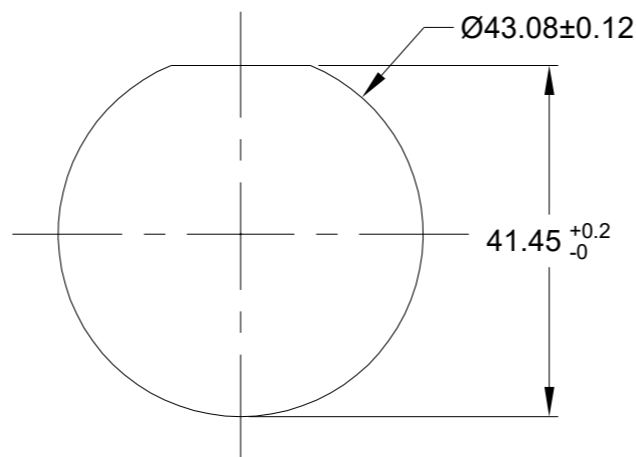
NOTES: UNLESS OTHERWISE SPECIFIED

- MATERIAL:
HOUSING: THERMOPLASTIC; BLACK
SEAL: SILICONE RUBBER
- MODIFICATIONS: SMOOTH ADAPTER;
NORMAL DIA. WIRE SEAL;
- SPECIFICATIONS:
 - OPERATING TEMPERATURE: -55°C TO +125°C.
 - DIELECTRIC WITHSTANDING VOLTAGE: LESS THAN 2 MILLIAMPS CURRENT LEAKAGE @ 1500 VOLTS AC.
 - INSULATION RESISTANCE: 1000 MEGOHM MIN @ 25°C.
 - MOISTURE RESISTANCE:
IP68(IM OF WATER FOR A PERIOD OF 24 HOURS,MATED CONDITION);
IP69K(MATED CONDITION).
 - MATING CYCLE DURABILITY: 100 CYCLES
 - RoHS COMPLIANT
- MATING PART: AHDP06-24-91S* -XXX (* = SEAL TYPE ,XXX = ALL MODIFICATIONS)
- ALL DIMENSIONS ARE FOR REFERENCE USE ONLY.

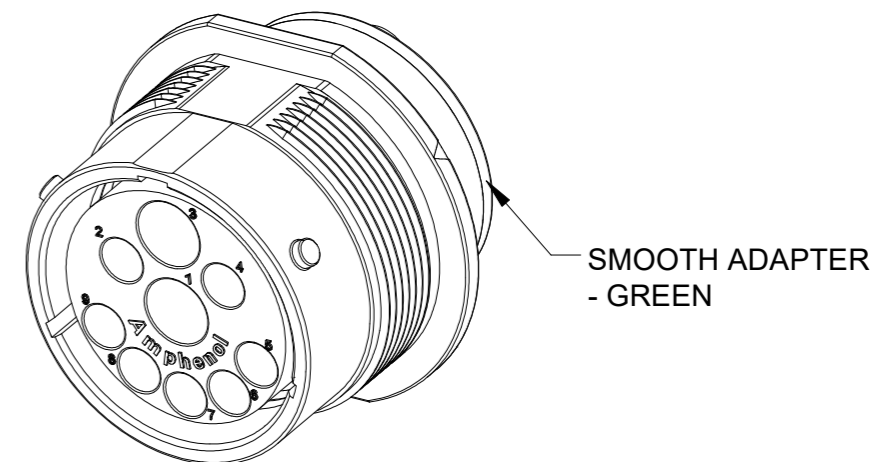
6 CONTACT SIZE AND WIRE RANGE:

| CONTACT SIZE | MIN. INSUL O.D. | MAX. INSUL O.D. | TYPICAL WIRE RANGE | CURRENT RATING |
|--------------|-------------------|-------------------|------------------------------------|----------------|
| 8 | 4.83 mm (.190 in) | 6.10 mm (.240 in) | 8-10AWG (10.0-5.0mm ²) | 60AMPS |
| 12 | 3.40 mm (.134 in) | 4.32 mm (.170 in) | 10-14AWG (6.0-2.0mm ²) | 25AMPS |
| 16 | 2.54mm (.100 in) | 3.40 mm (.134 in) | 14-20AWG (2.0-0.5mm ²) | 13AMPS |

7. RECEPTACLE IS SUPPLIED WITH DUST CAP.



RECOMMENDED PANEL MOUNTING HOLE
RECOMMENDED PANEL THICKNESS:1.6 TO 4.7MM



| QUANTITY | AHDP04-24-91PN-SRA | REF:HDP24-24-91PN-P064 | DESCRIPTION | ITEM |
|--------------------------------------|--------------------|--|-------------|------|
| MATERIALS LIST | | | | |
| UNLESS OTHERWISE SPECIFIED | | SIGNATURES | | |
| 1) All dimensions are in metric(mm). | | DRAWN: IAN.XIAO 04/JAN/22 | | |
| 2) Tolerances are as follows: | | CHECKED: SULLEN.ZHANG 04/JAN/22 | | |
| 1 PL DEC ±0.30 | | ENGINEER: | | |
| 2 PL DEC ±0.15 | | APPROVAL: TOMMY.XIE 05/JAN/22 | | |
| 3 PL DEC ±0.08 | | CUSTOMER: | | |
| 3) Note reference = \triangle | | MATERIAL SPECIFICATIONS: | | |
| PROCESS SPECIFICATIONS: | | THIS DRAWING IS SUPPLIED FOR INFORMATION ONLY. DESIGN FEATURES, SPECIFICATIONS AND PERFORMANCE DATA SHOWN HEREON ARE THE PROPERTY OF THE AMPHENOL CORPORATION. NO RIGHTS OF REPRODUCTION ARE IMPLIED. ALL DIMENSIONS ARE SUBJECT TO NORMAL MANUFACTURING VARIATIONS. | | |
| NEXT ASSY: | | SCALE: NONE | | |
| | | SIZE B C- DWG NO: AHDP04-24-91PN-SRA REVISION A1 | | |
| | | DURAMATE SHEET 1 OF 1 | | |

TITLE: 09POS,RECEPTACLE,PIN,24SZ,NORMAL SEAL,SRA,DURAMATE,AHDP
DWG NO: AHDP04-24-91PN-SRA
REV: A1
SH: 1
OF: 1