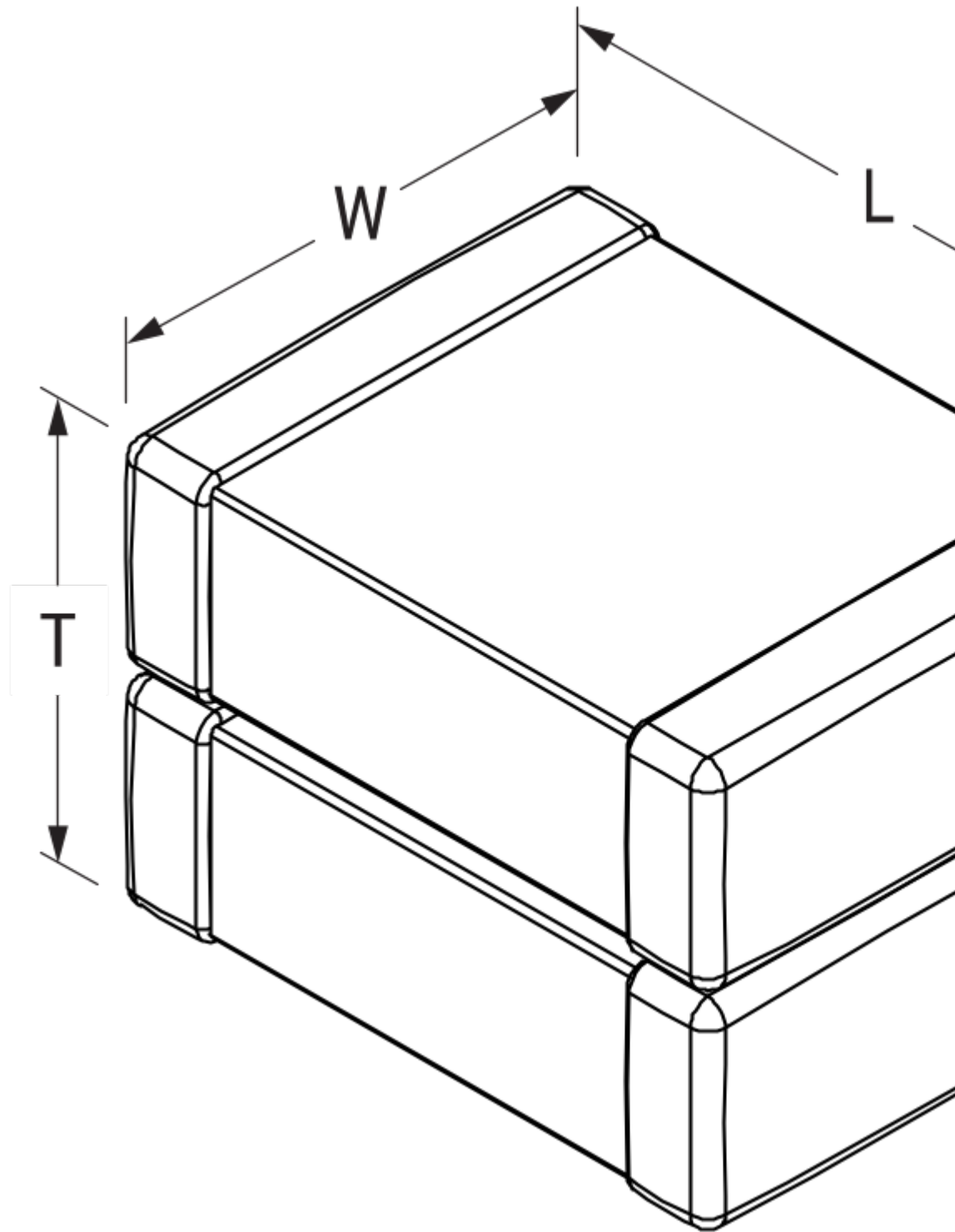


C2220C362KZGLCTU

Aliases (C2220C362KZGLC7800)

KONNEKT Comm C0G, Ceramic, 3600 pF, 10%, 2500 VDC, C0G



Click [here](#) for the 3D model.

Dimensions

L 5.7mm +/-0.4mm

W 5mm +/-0.4mm

T 5.1mm +/-0.4mm

Dimensions

B 0.6mm +/-0.35mm

Packaging Specifications

Packaging T&R, 180mm, Plastic Tape

Packaging Quantity 300

General Information

Series KONNEKT Comm C0G
Style KONNEKT
Description SMD, MLCC, KONNEKT, Ultra-Stable, Class I
Features High Density Packaging
RoHS Yes
Termination Tin
AEC-Q200 No
Component Weight 650 mg
Chip Size 2220-2
Shelf Life 78 Weeks
MSL 1

Specifications

Capacitance	3600 pF
Measurement Condition	1 kHz 1.0Vrms
Capacitance Tolerance	10%
Voltage DC	2500 VDC
Dielectric Withstanding Voltage	3000 VDC
Temperature Range	-55/+125°C
Temperature Coefficient	C0G
Capacitance Change with Reference to +25°C and 0 VDC Applied (TCC)	30 ppm/C
Dissipation Factor	0.1% 1 kHz 1.0Vrms
Aging Rate	0% Loss/Decade Hour
Insulation Resistance	100 GOhms

Statements of suitability for certain applications are based on our knowledge of typical operating conditions for such applications, but are not intended to constitute - and we specifically disclaim - any warranty concerning suitability for a specific customer application or use. This Information is intended for use only by customers who have the requisite experience and capability to determine the correct products for their application. Any technical advice inferred from this Information or otherwise provided by us with reference to the use of our products is given gratis, and we assume no obligation or liability for the advice given or results obtained.

Generated 5/18/2023 - 62e83a2a-2ace-42e8-979b-2d9b4d83c321

© 2006 - 2023 KEMET

Generated 5/18/2023 - 62e83a2a-2ace-42e8-979b-2d9b4d83c321

© 2006 - 2023 KEMET