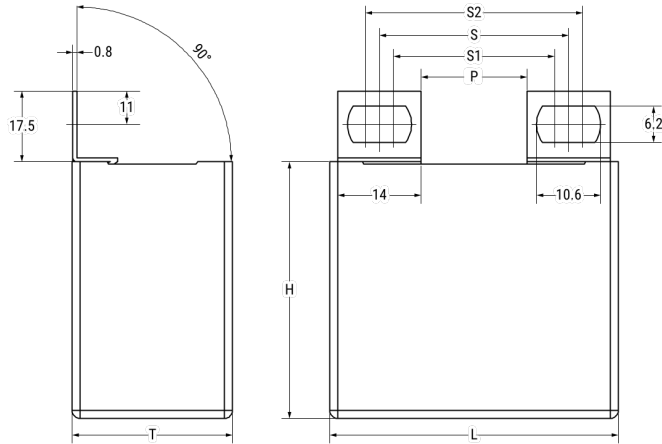


## C4BTFBX5300ZHMJ

C4BT, Film, Metallized Polypropylene, Power, 30 uF, 5%, 400 VDC, 70°C,  
Lead Spacing = 41mm



Click [here](#) for the 3D model.

### Dimensions

L	57.5mm +1.2/-0.7mm
H	45mm +0.3/-0.7mm
T	30mm +0.5/-0.7mm
S	41mm +/-0.2mm
S1	37mm +/-0.2mm
S2	45mm +/-0.2mm
P	25mm NOM

### Packaging Specifications

Packaging	Bulk, Bag
Packaging Quantity	24

### General Information

Series	C4BT
Dielectric	Metallized Polypropylene
Style	Radial
Features	Switching
RoHS	Yes
Lead	Flat Tabs
AEC-Q200	No
Miscellaneous	KEMET Style H Tabs. Peak Voltage = 600 VDC.

### Specifications

Capacitance	30 uF
Capacitance Tolerance	5%
Voltage DC	400 VDC
Temperature Range	-40/+85°C
Rated Temperature	70°C
Max dV/dt	34 V/us
Resistance	1.6 mOhms (100kHz)
Ripple Current	45 Amps (100kHz 70C), 1015 Amps (Peak)
Inductance	45 nH