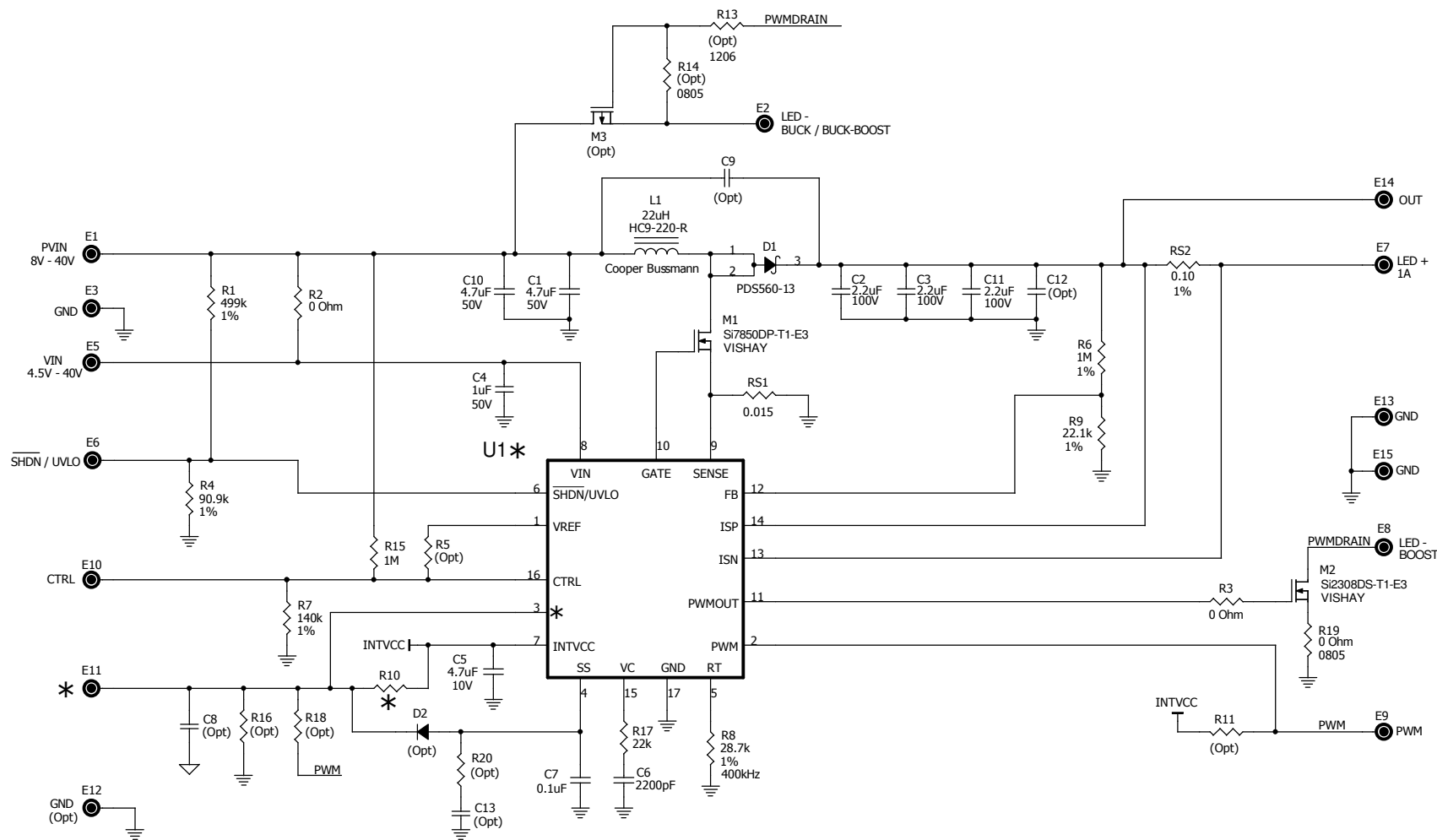


This circuit is proprietary to Linear Technology and supplied for use with Linear Technology parts.

Customer Notice: Linear Technology has made a best effort to design a circuit that meets customer-supplied specifications; however, it remains the customers responsibility to verify proper and reliable operation in the actual application. Component substitution and printed circuit board layout may significantly affect circuit performance or reliability. Contact Linear Applications Engineering for assistance.

REVISION #				REVISION HISTORY		
SD	PC	AD	FD	DESCRIPTION	DATE	APPROVED
0	0	0	0	1st Release		
1	-	1	-	(-A) Change R20, C13, D2 to Opt. C7 to 0.1uF	07/02/09	Kz



*	ASSY	U1(IC)	U1-3 (Name)	E11 (Name)	R10
	-A	LT3755EUD-2	OPENLED	OPENLED	100k
	-B	LT3755EUD-1	SYNC	SYNC	OPT

APPROVALS		LINEAR TECHNOLOGY CORPORATION	
		1630 McCARTHY BLVD MILPITAS, CA. 95035 (408)432-1900 (408)434-0507 (FAX)	
DRAWN: Rudy Bautista		www.linear.com LTC Confidential - For Customer Use Only	
ENGINEER: Keith Szolusha		Title: LT3755EUD-1/-2 High Voltage LED Controller	
CHECKED:		SD Document Number Demo Circuit 1268B	
Date: Tuesday, July 07, 2009		C:\ORCADWIN\CAPTURE\1268B\1268B_REV1.DSN	
		Sheet 1 of 1	