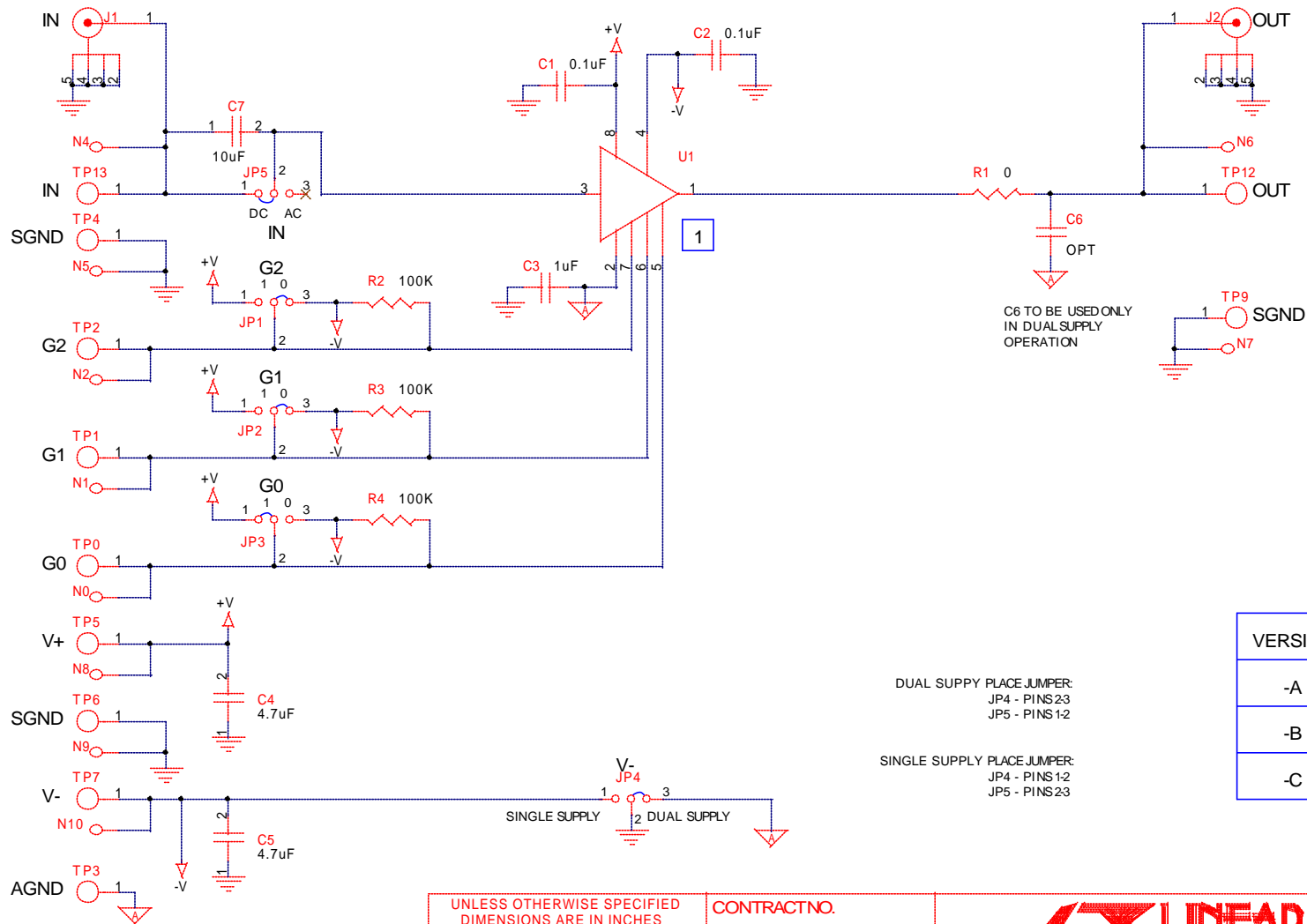


REVISION HISTORY

ECO	REV	DESCRIPTION	DATE	APPROVED
	2	PROTO	09/20/02	

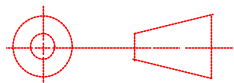


DUAL SUPPLY PLACE JUMPER:
JP4 - PINS 23
JP5 - PINS 12

SINGLE SUPPLY PLACE JUMPER:
JP4 - PINS 12
JP5 - PINS 23

VERSION	IC (U1)
-A	LTC6910-1CTS8
-B	LTC6910-2CTS8
-C	LTC6910-3CTS8

UNLESS OTHERWISE SPECIFIED
DIMENSIONS ARE IN INCHES
TOLERANCE ON ANGLE - - -
2 PLACES - - - 3 PLACES - - -
INTERPRET DIM AND TOL
PER ASME Y14.5M -1994



DO NOT SCALE DRAWING

CONTRACT NO.

APPROVALS	DATE
DRAWN MEI	08/12/02
CHECKED	
APPROVED	
ENGINEER	
DESIGNER	

Wednesday, January 15, 2003



1630 McCarthy Blvd.
Milpitas, CA 95035
Phone: (408)432-1900
Fax: (408)434-0507

TITLE SCH, LTC6910-1CTS8/LTC6910-2CTS8/LTC6910-3CTS8,
DIGITALLY CONTROLLED PROGRAMMABLE-GAIN AMPLIFIER

SIZE	CAGE CODE	DWG NO	REV
		DC566A	2

SCALE: NONE FILENAME: DC566A-2DSN SHEET 1 OF 1