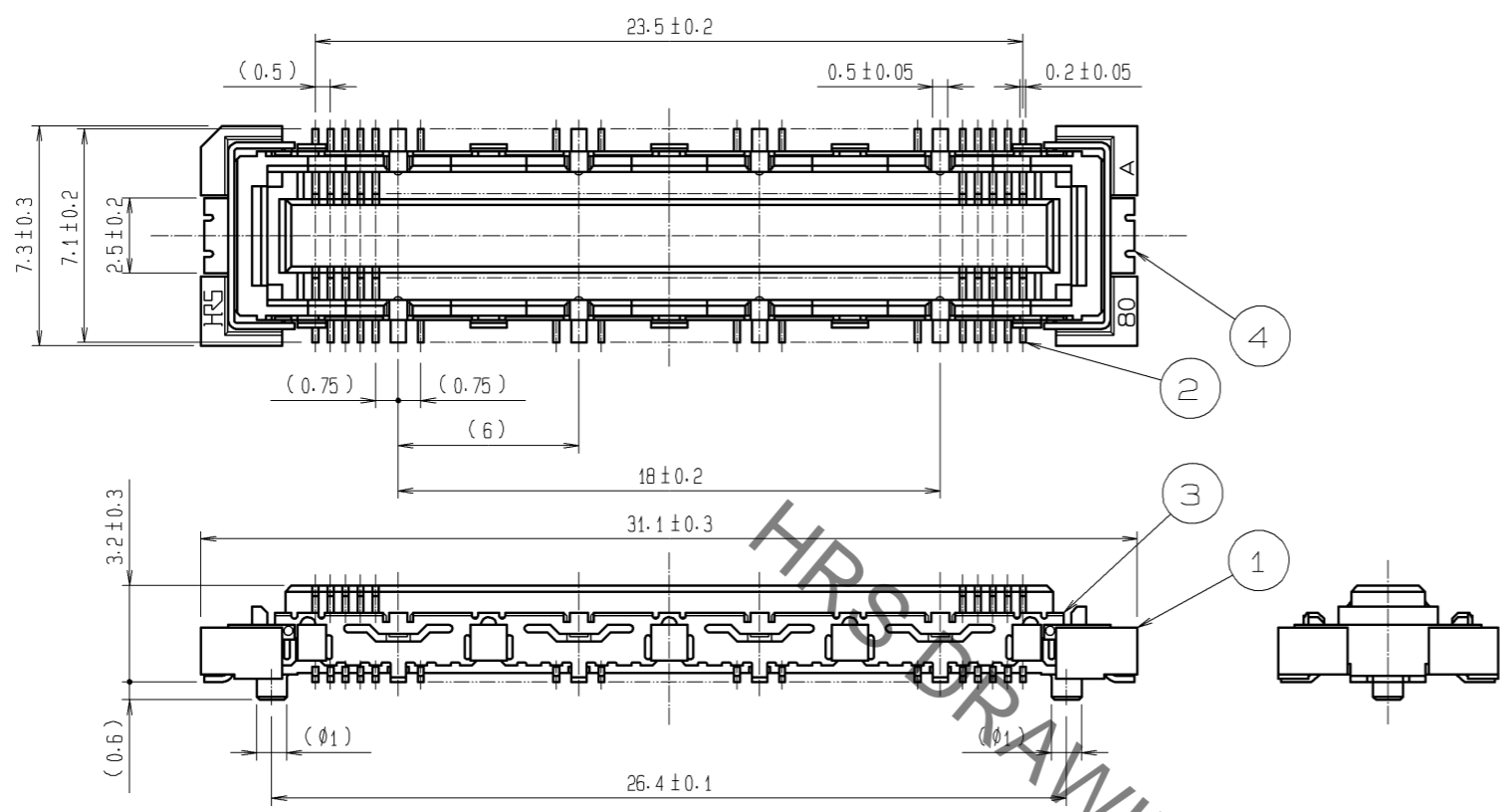
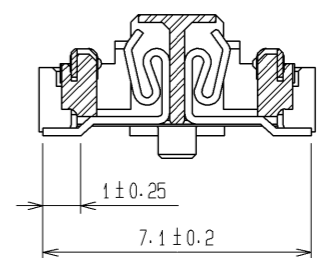


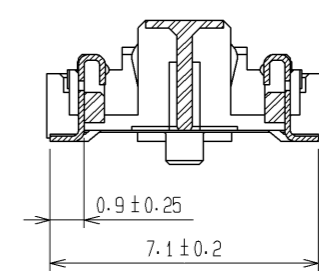
Aug.1.2019 Copyright 2019 HIROSE ELECTRIC CO., LTD. All Rights Reserved.  
 In case of consideration for using Automotive equipment / device which demand high reliability, kindly contact our sales window correspondents.



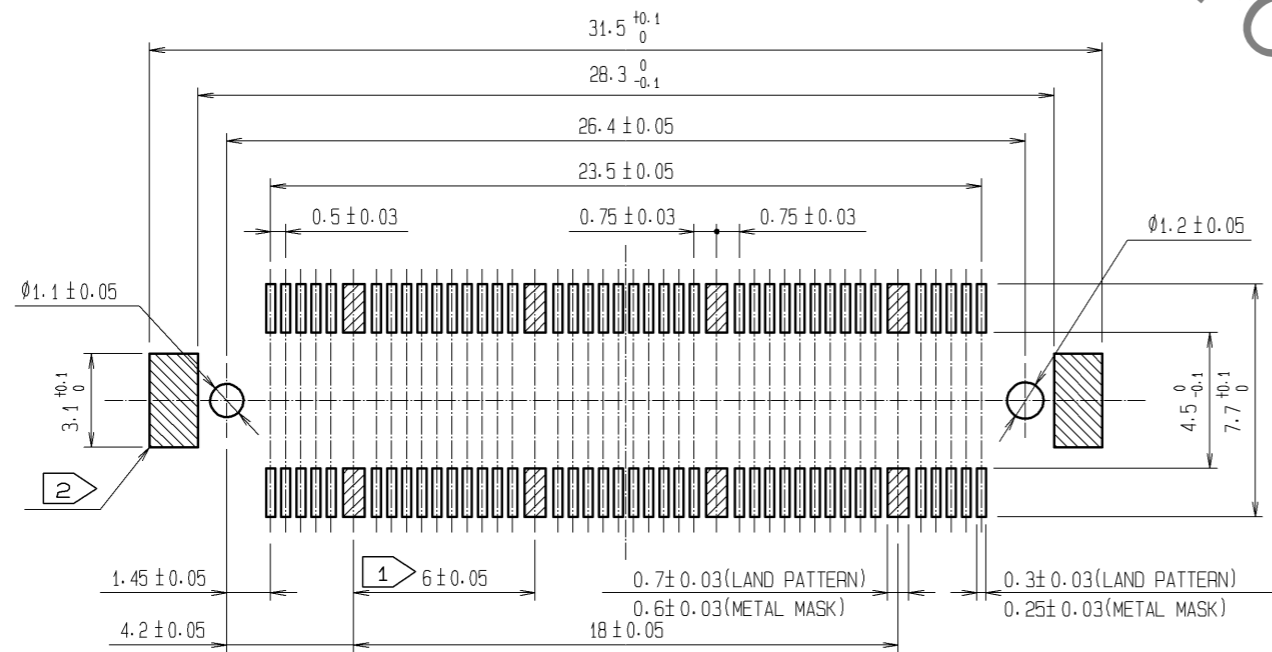
CROSS CUT SECTION - SIGNAL (5:1)



CROSS CUT SECTION - GROUND (5:1)



RECOMMENDED LAND PATTERN DIMENSION OF PCB  
 (RECOMMENDED METAL MASK THICKNESS: 0.15mm)



- NOTES
- ① 8 HATCHED PARTS: GROUND CIRCUIT.
  - ② 2 HATCHED PARTS: GROUND CIRCUIT.
  - ③ SMT LEAD-COPLANARITY: 0.1 MAX.
  - ④ THIS PRODUCT HAS NO POLARITY TO PATTERN FOR MOUNTING.
  - ⑤ EMBOSS CARRIER TAPE PACKAGE IS APPLIED ON THIS PRODUCT. PLEASE REFER TO THE SHEET 2/2 FOR THE DETAILS.
  - ⑥ THE DIMENSIONS IN PARENTHESES ARE FOR REFERENCE.

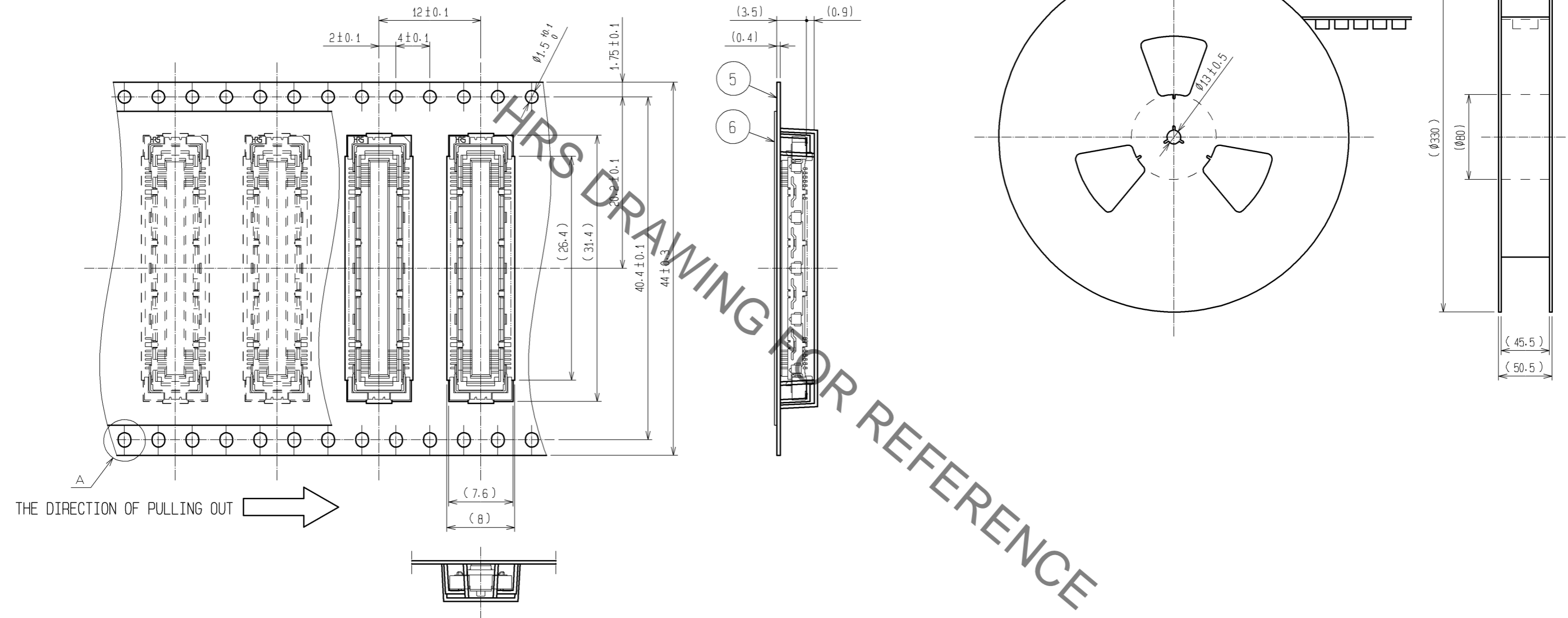
DRAWING FOR REFERENCE

3, 4	PHOSPHOR BRONZE	TIN-PLATING					
2	PHOSPHOR BRONZE	CONTACT AREA : GOLD 0.1μm min.					
		LEAD AREA : GOLD FLASH					
1	LCP	BEIGE UL94V-0	5	POLYSTYRENE	EMBOSSED CARRIER TAPE		
6				POLYESTER	TOP COVER TAPE		
NO.	MATERIAL	FINISH, REMARKS	NO.	MATERIAL	FINISH, REMARKS		
UNITS mm		SCALE 4 : 1	COUNT △	DESCRIPTION OF REVISIONS	DESIGNED	CHECKED	DATE
<b>HRS</b> HIROSE ELECTRIC CO., LTD.		APPROVED : HS. OKAWA	08.06.03	DRAWING NO.	EDC3-151976-21		
		CHECKED : HS. OZAWA	08.06.03	PART NO.	FX10A-80S/8-SV(91)		
		DESIGNED : SY. KAMIGA	08.06.03	CODE NO.	CL570-0201-4-91		
		DRAWN : HK. SUNADORI	08.06.02		△ 1/2		

Aug.1.2019 Copyright 2019 HIROSE ELECTRIC CO., LTD. All Rights Reserved.  
 In case of consideration for using Automotive equipment / device which demand high reliability, kindly contact our sales window correspondents.

DRAWING FOR PACKING(2:1)

REELED DIMENSION(Free)



THE DIRECTION OF PULLING OUT →

A (5:1)

- NOTES 1 1REEL:1000 CONNECTORS.  
 2 MINIMUM 10 COMPARTMENTS FROM BOTH REEL ENDS REMAIN EMPTY.  
 3 THIS PRODUCT HAS NO POLAVITY TO TAPE AND REEL PACKAGING.  
 4 THE DIMENSIONS IN PARENTHESES ARE FOR REFERENCE.

<b>HRS</b>	DRAWING NO.	EDC3-151976-21
	PART NO.	FX10A-80S/8-SV(91)
	CODE NO.	CL570-0201-4-91
		△ 2/2