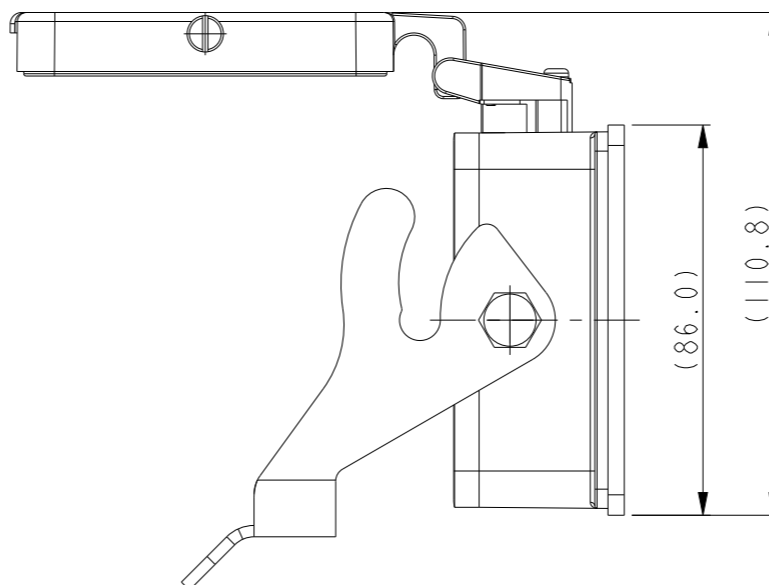
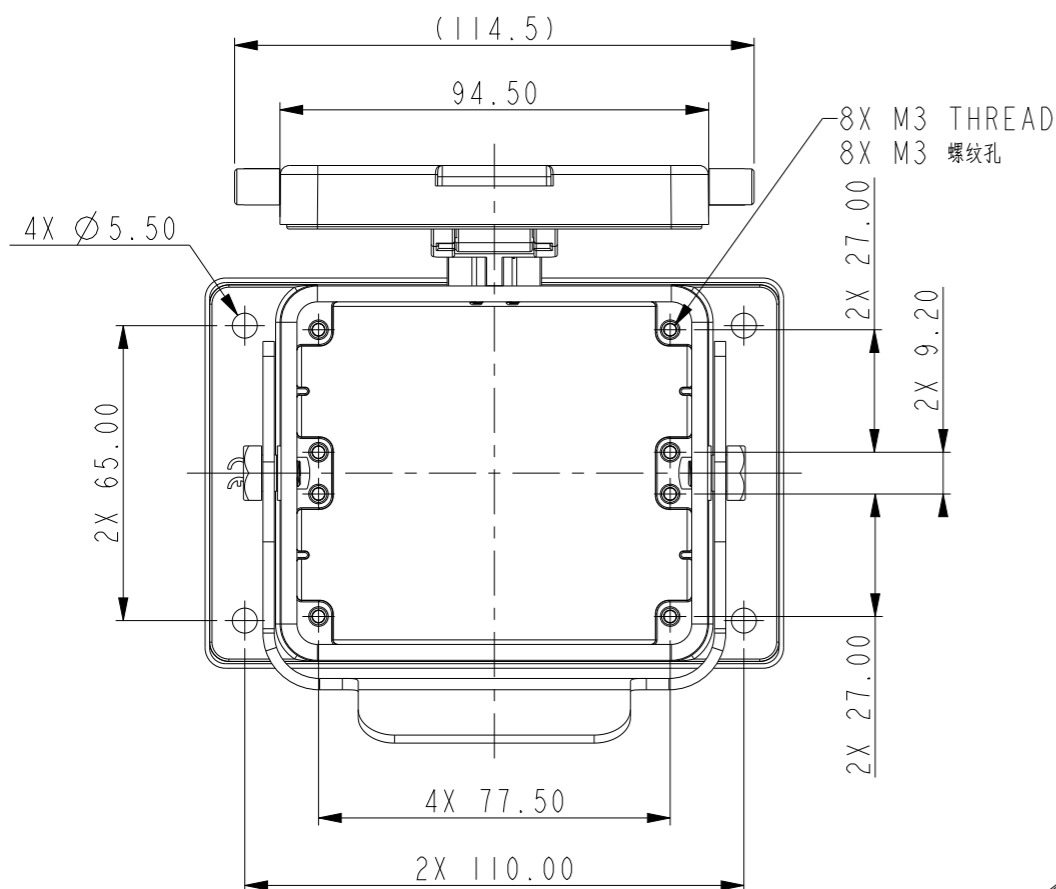


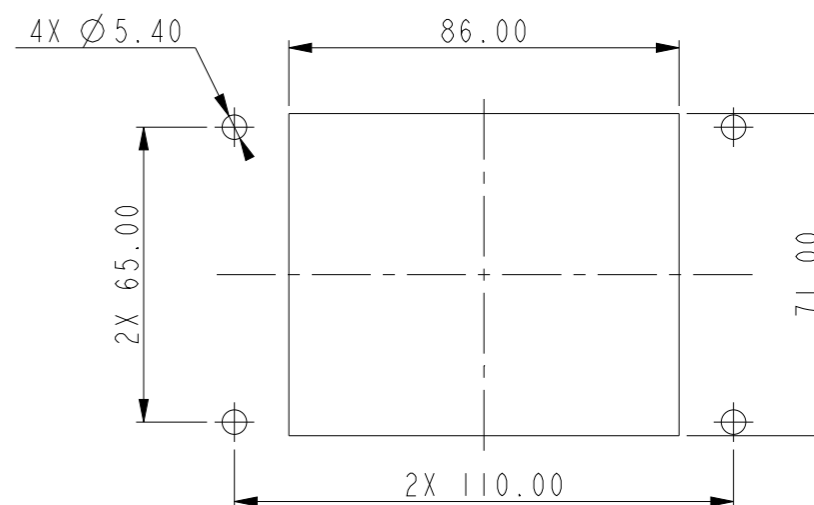
REVISIONS

P	LTR	DESCRIPTION	DATE	DWN	APVD
	A	INITIAL RELEASE	03JUN2015	DL	CW
	A1	ECR-17-017115	30NOV2017	CH	CW
	B	ECR-21-109004	16AUG2021	WQR	CW

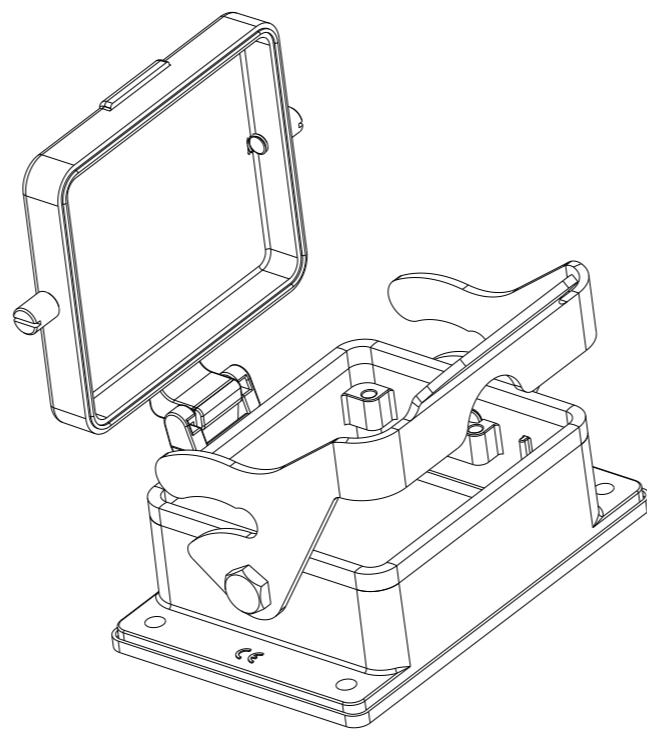


NOTES:
 1. TECHNICAL CHARACTERISTICS:
 BODY MATERIAL: DIE CAST ALUMINIUM ALLOY
 SURFACE TREATMENT: POWDER COATED, GREY
 DEGREE OF PROTECTION: IP65 (MATED)

注释:
 1. 技术参数:
 主体材料: 铝合金
 表面处理: 灰色粉末喷涂
 防护等级: IP65(配合)



开孔安装示意图
 PANNEL CUT OUT



SCALE 1:2

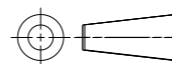
T1510322000-000	H32B-AD-LB	H32B HOUSING, BULKHEAD MOUNTED, STAINLESS STEEL SINGLE LOCKING, PLASTIC PROTECTION COVER, POWDER COATED, GREY H32B下壳, 开孔安装, 不锈钢单扣, 带塑料保护盖, 灰色粉末喷涂
-----------------	------------	--

PART NUMBER
料号

PART DESCRIPTION
描述

THIS DRAWING IS A CONTROLLED DOCUMENT.

DIMENSIONS:
mm



TOLERANCES UNLESS OTHERWISE SPECIFIED:

0 PLC	±-
1 PLC	±-
2 PLC	±-
3 PLC	±-
4 PLC	±-
ANGLES	±-
FINISH	-

MATERIAL

-

-

-

DWN 03JUN2015

DAVID.LI

CHK 03JUN2015

CHRIS.WANG

APVD 03JUN2015

XU.XIANG

PRODUCT SPEC

108-137013

APPLICATION SPEC

114-137013

WEIGHT

-

CUSTOMER DRAWING

NAME

H32B-AD-LB

SIZE

A3

CAGE CODE

-

DRAWING NO

©-T1510322000000

RESTRICTED TO

-

SCALE 3:5

SHEET 1 OF 1

REV B