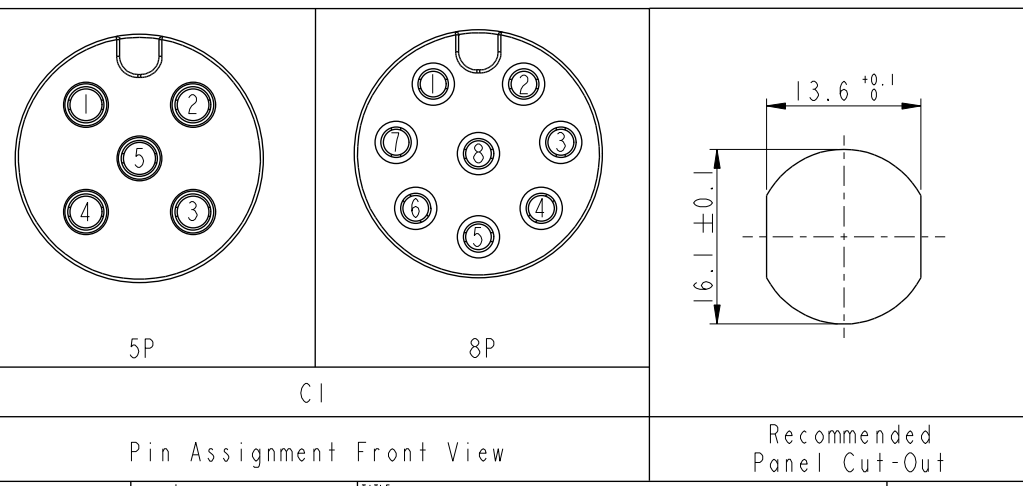
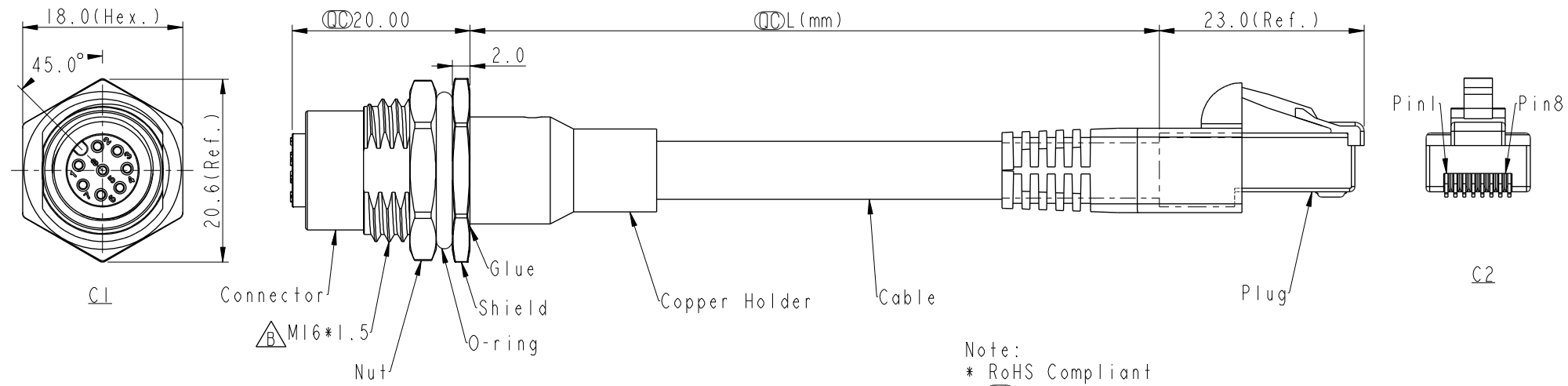


THIS DOCUMENT IS SUBJECT TO CHANGE WITHOUT NOTICE. IT IS CONFIDENTIAL AND A PROPERTY OF AMPHENOL LTW. DISCLOSURE TO THIRD PARTY HAS TO BE AUTHORIZED BY AMPHENOL LTW.

REV.	ECN NO.	DATE	SIGN	DESCRIPTION
A		2022-06-22	Jiahe Lin	Rev.01 To Rev.A
B	C221046	2022-07-07	Jiahe Lin	△B*2

MSAS-XXPFFJ-SF8CXX  
 XX: No. Of Pin  
 XX:L=0~05Meters  
 A5:L=0.5Meters  
 01:L=1Meters  
 02:L=2Meters  
 :  
 05:L=5Meters



Note:

- \* RoHS Compliant
- \* Ⓞ Important dimension
- \* C1  
 Waterproof rate: IPX8, unmated 1m/24h  
 Housing: Thermoplastic, Black  
 Pin: Copper alloy, Gold plated  
 O-Ring1: Rubber, Black  
 O-Ring2: Rubber, Green  
 Shield: Metal  
 Nut: Metal
- \* C2  
 Waterproof rate: Non-Waterproof  
 Plug: RJ45, Shielded
- \* For panel thickness max: 4.5mm
- \* Nut is packed separately in pe bag
- \* Cable: Cat5E, PU Jacket, Black
- \* Cable length tolerance: 0.5M < L ≤ 1M: +60/-0 mm  
 1M < L ≤ 3M: +120/-0 mm  
 3M < L ≤ 5M: +160/-0 mm

UNIT: mm		TITLE N SEN, M12 A -SHLD, SCREW RECEPTACLE, F, F, RJ PLUG		<h1>Amphenol LTW</h1> 安費諾亮泰企業股份有限公司	ITEM NO	DRAWN BY Jiahe Lin	DATE 2022-06-22
		TOLERANCE .X ±0.25 .XX ±0.1 .XXX ±0.05 ANGLES ±1°	SCALE 2:1		SIZE A4	SHEET 1 OF 2	DWG NO MSAS-XXPFFJ-SF8CXX
		REV. B	WC-REV.	Ⓞ: Inspection item	CUSTOMER ALTW	APPROVED BY Fred Lee	DATE 2022-06-22

THIS DOCUMENT IS SUBJECT TO CHANGE WITHOUT NOTICE. IT IS CONFIDENTIAL AND A PROPERTY OF Amphenol LTW. DISCLOSURE TO THIRD PARTY HAS TO BE AUTHORIZED BY Amphenol LTW.

5	6	7	8
8P	6.5	24#*4P+AL/MY+D	MSAS-08PFFJ-SF8CXX
5P	6.2	22#*2P+AL/MY+D	MSAS-05PFFJ-SF8CXX
Contacts	Cable OD	Cable Spec	Item No.



Shield	Drain	地線	Shield
3	Brown	棕	8
2	White/Brown	白/棕	7
8	Green	綠	6
5	White/Green	白/綠	3
7	Blue	藍	4
1	White/Blue	白/藍	5
4	Orange	橘	2
6	White/Orange	白/橘	1
CI	Wire Color		C2

Shield	Drain	地線	Shield
5	Green	綠	6
4	White/Green	白/綠	3
2	Orange	橘	2
3	White/Orange	白/橘	1
CI	Wire Color		C2

5P Pin Out

8P Pin Out

UNIT: mm	
TOLERANCE	
.X	±0.25
.XX	±0.1
.XXX	±0.05
ANGLES	±1°

TITLE N SEN, M12 A -SHLD, SCREW RECEPTACLE, F, F, RJ PLUG			
SCALE 2:1	SIZE A4	SHEET 2 OF 2	
REV. B	WC-REV.	QC: Inspection item	

**Amphenol LTW**  
安費諾亮泰企業股份有限公司

ITEM NO	DWG NO	CUSTOMER
	MSAS-XXPFFJ-SF8CXX	ALTW

DRAWN BY	CHECKED BY	APPROVED BY
Jiahe Lin	Allen Pan	Fred Lee

DATE	DATE	DATE
2022-06-22	2022-06-22	2022-06-22