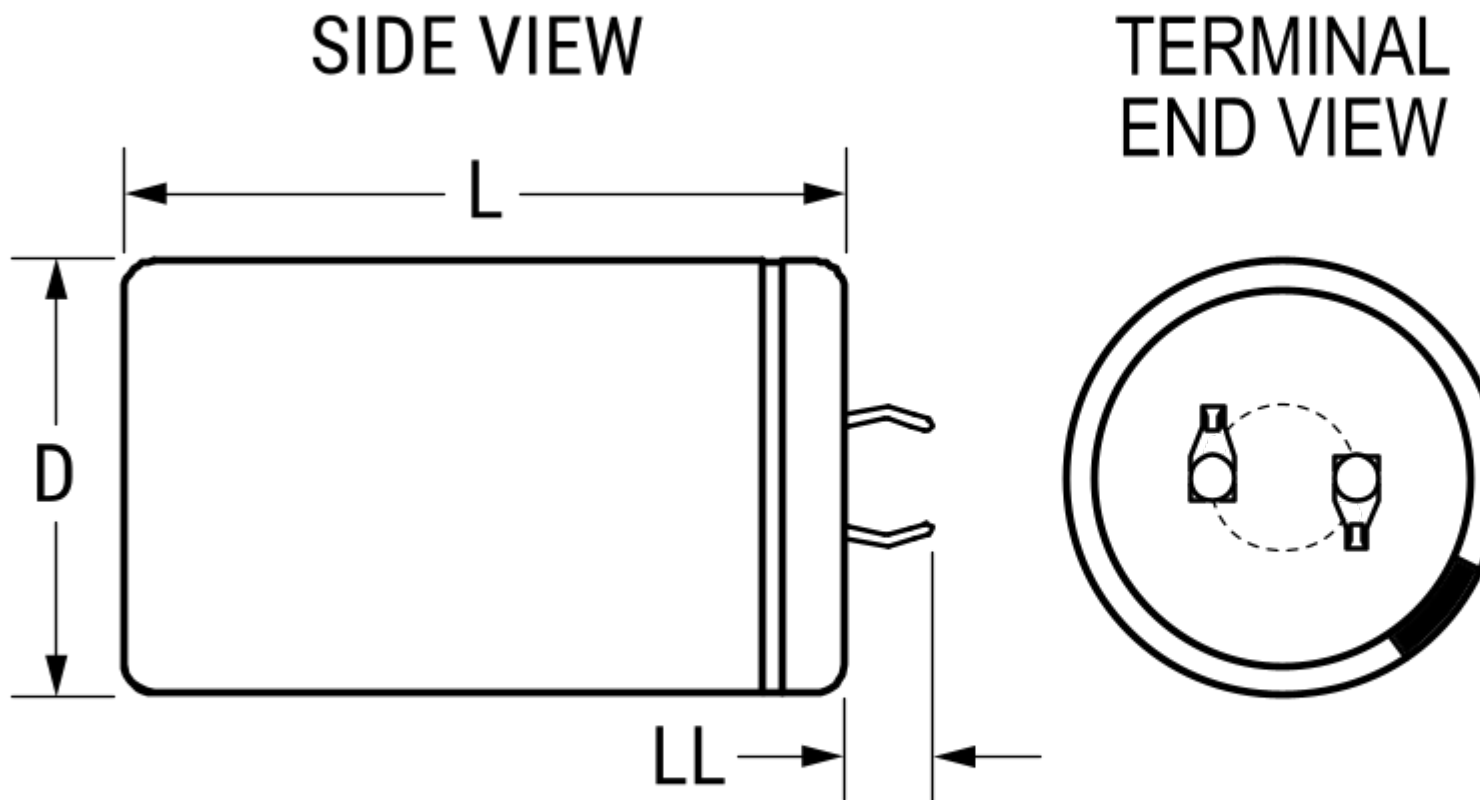


# PEH534RCD3680M2

PEH534, Aluminum Electrolytic, 680 uF, 20%, 200 VDC, -40/+105°C



Click [here](#) for the 3D model.

## Dimensions

- D 30mm +/-0.5mm
- L 35mm +/-1mm
- S 10mm +/-0.1mm
- LL 6.3mm +/-1mm
- F 2mm +/-0.1mm

## Packaging Specifications

Packaging Bulk, Bag

Packaging Quantity 100

## General Information

Series PEH534

Dielectric Aluminum Electrolytic

Description Snap-In, Aluminum Electrolytic

RoHS Yes

Lead 2 Pin

AEC-Q200 No

Component Weight 34 g

Notes Add 0.5mm To D And 1mm To L For Sleeving.

Shelf Life 208 Weeks

## Specifications

Capacitance 680 uF

Capacitance Tolerance 20%

Voltage DC 200 VDC

Temperature Range -40/+105°C

Rated Temperature 105°C

Life 3000 Hrs (Rated Voltage And Ripple Current At 105C), 4000 Hrs (Rated Voltage At 105C)

Resistance 200 mOhms (100Hz 20C), 100 mOhms (100kHz 20C)

Ripple Current 1.5 Amps (100Hz 105C), 10.4 Amps (20kHz 40C)

Leakage Current 408 uA (5min 20°C)

Statements of suitability for certain applications are based on our knowledge of typical operating conditions for such applications, but are not intended to constitute - and we specifically disclaim - any warranty concerning suitability for a specific customer application or use. This Information is intended for use only by customers who have the requisite experience and capability to determine the correct products for their application. Any technical advice inferred from this Information or otherwise provided by us with reference to the use of our products is given gratis, and we assume no obligation or liability for the advice given or results obtained.

Generated 5/18/2023 - 6c8380ef-40fc-426d-8e67-2f5a86f48789

© 2006 - 2023 KEMET

Generated 5/18/2023 - 6c8380ef-40fc-426d-8e67-2f5a86f48789

© 2006 - 2023 KEMET