

QSFP-40GBASE-SR4L-J-C

Juniper Networks® Compatible TAA 40GBase-SR4L QSFP+ Transceiver (MMF, 850nm, 70m, MPO, DOM)

Features:

- SFF-8436 Compliance
- MPO Connector
- Multi-mode Fiber
- Commercial Temperature 0 to 70 Celsius
- Hot Pluggable
- Metal with Lower EMI
- Excellent ESD Protection
- RoHS Compliant and Lead Free



Applications:

- 40GBase Ethernet

Product Description

This Juniper Networks® QSFP+ transceiver provides 40GBase-SR4 throughput up to 70m over multi-mode fiber (MMF) using a wavelength of 850nm via an MPO connector. It is guaranteed to be 100% compatible with the equivalent Juniper Networks® transceiver. This easy to install, hot swappable transceiver has been programmed, uniquely serialized and data-traffic and application tested to ensure that it will initialize and perform identically. Digital optical monitoring (DOM) support is also present to allow access to real-time operating parameters. This transceiver is Trade Agreements Act (TAA) compliant. We stand behind the quality of our products and proudly offer a limited lifetime warranty.

ProLabs's transceivers are RoHS compliant and lead-free.

TAA refers to the Trade Agreements Act (19 U.S.C. & 2501-2581), which is intended to foster fair and open international trade. TAA requires that the U.S. Government may acquire only "U.S. – made or designated country end products."



Absolute Maximum Ratings

| Parameter | Symbol | Min. | Typ. | Max. | Unit |
|----------------------------|--------|------|------|------|------|
| Supply Voltage | Vcc | -0.5 | | 4.0 | V |
| Storage Temperature | Tst | -40 | | 85 | °C |
| Case Operating Temperature | Top | 0 | 25 | 70 | °C |
| Humidity (non-condensing) | Rh | 5 | | 95 | % |

Recommended Operating Conditions

| Parameter | Symbol | Min. | Typ. | Max. | Unit |
|----------------------------|--------|-------|---------|-------|------|
| Supply Voltage | Vcc | 3.135 | 3.3 | 3.465 | V |
| Operating Case Temperature | Tca | 0 | 25 | 70 | °C |
| Data Rate Per Lane | | | 10.3125 | | Gbps |

Electrical Characteristics

| Parameter | Symbol | Min. | Typ. | Max. | Unit | Notes |
|----------------------------------|---------------------------------|------|------|------|-------|-------|
| Module Supply Current | Icc | | | 430 | mA | |
| Power Dissipation | P _D | | | 1.5 | W | |
| Transmitter | | | | | | |
| Differential Data Input Swing | V _{in,pp} | 180 | | 900 | mVp-p | |
| Input Differential Impedance | Z _{in} | | 100 | | Ω | |
| Receiver | | | | | | |
| Differential Data Output Swing | V _{out, pp} | 300 | | 850 | mVp-p | 1 |
| Output Differential Impedance | Z _o | | 100 | | Ω | |
| Data Output Rise Time, Fall Time | t _r , t _f | 28 | | | ps | 2 |

Notes

1. Internally AC coupled, but requires an external 100Ω differential load termination.
2. 20-80%

Optical Characteristics

| Parameter | Symbol | Min. | Typ. | Max. | Unit | Notes |
|------------------------------------|-----------------------------|------|------|------|------|-------|
| Transmitter | | | | | | |
| Launch Optical Power | Po | -7.6 | | 1 | dBm | 1 |
| Center Wavelength Range | λ_c | 830 | 850 | 860 | nm | |
| Extinction Ratio | EX | 3 | | | dB | 2 |
| Spectral width (RMS) | $\Delta\lambda$ | | | 0.65 | nm | |
| Transmitter and Dispersion Penalty | TDP | | | 3.2 | dB | |
| Optical Return Loss Tolerance | ORLT | | | 12 | dB | |
| Eye Diagram | IEEE Std 802.3ba compatible | | | | | |
| Receiver | | | | | | |
| Center Wavelength | λ_c | 830 | 850 | 860 | nm | |
| Receiver Sensitivity (Pavg) | S | | | -9.5 | dBm | 1 |
| Damage Threshold | POL | 2.5 | | | dBm | 1 |
| Optical Return Loss | ORL | 12 | | | dB | |
| LOS De-Assert | LOSD | | | -11 | dBm | |
| LOS Assert | LOSA | -30 | | | dBm | |
| LOS Hysteresis | | 0.5 | | | dB | |

Note:

1. The optical power is launched into OM3 MMF.
2. Measured with a PRBS $2^{31}-1$ test pattern @10.3125Gbps
3. Measured with PRBS $2^{31}-1$ test pattern, 10.3125Gb/s, BER< 10^{-12}

Pin Descriptions

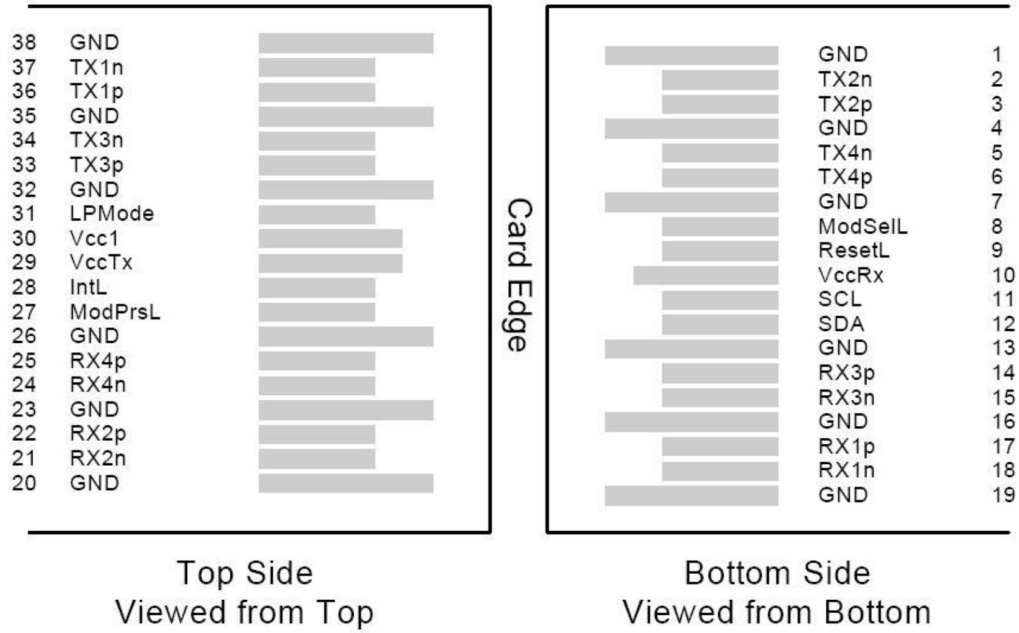
| Pin | Logic | Symbol | Name/Descriptions | Ref. |
|-----|-------------|---------|---|------|
| 1 | | GND | Module Ground | 1 |
| 2 | CML-I | Tx2- | Transmitter inverted data input | |
| 3 | CML-I | Tx2+ | Transmitter non-inverted data input | |
| 4 | | GND | Module Ground | 1 |
| 5 | CML-I | Tx4- | Transmitter inverted data input | |
| 6 | CML-I | Tx4+ | Transmitter non-inverted data input | |
| 7 | | GND | Module Ground | 1 |
| 8 | LVTTTL-I | MODSEIL | Module Select | 2 |
| 9 | LVTTTL-I | ResetL | Module Reset | 2 |
| 10 | | VCCRx | +3.3v Receiver Power Supply | |
| 11 | LVC MOS-I | SCL | 2-wire Serial interface clock | 2 |
| 12 | LVC MOS-I/O | SDA | 2-wire Serial interface data | 2 |
| 13 | | GND | Module Ground | 1 |
| 14 | CML-O | RX3+ | Receiver non-inverted data output | |
| 15 | CML-O | RX3- | Receiver inverted data output | |
| 16 | | GND | Module Ground | 1 |
| 17 | CML-O | RX1+ | Receiver non-inverted data output | |
| 18 | CML-O | RX1- | Receiver inverted data output | |
| 19 | | GND | Module Ground | 1 |
| 20 | | GND | Module Ground | 1 |
| 21 | CML-O | RX2- | Receiver inverted data output | |
| 22 | CML-O | RX2+ | Receiver non-inverted data output | |
| 23 | | GND | Module Ground | 1 |
| 24 | CML-O | RX4- | Receiver inverted data output | |
| 25 | CML-O | RX4+ | Receiver non-inverted data output | |
| 26 | | GND | Module Ground | 1 |
| 27 | LVTTTL-O | ModPrsL | Module Present, internal pulled down to GND | |
| 28 | LVTTTL-O | IntL | Interrupt output, should be pulled up on host board | 2 |
| 29 | | VCCTx | +3.3v Transmitter Power Supply | |
| 30 | | VCC1 | +3.3v Power Supply | |
| 31 | LVTTTL-I | LPMODE | Low Power Mode | 2 |
| 32 | | GND | Module Ground | 1 |
| 33 | CML-I | Tx3+ | Transmitter non-inverted data input | |
| 34 | CML-I | Tx3- | Transmitter inverted data input | |
| 35 | | GND | Module Ground | 1 |
| 36 | CML-I | Tx1+ | Transmitter non-inverted data input | |
| 37 | CML-I | Tx1- | Transmitter inverted data input | |
| 38 | | GND | Module Ground | 1 |

Notes:

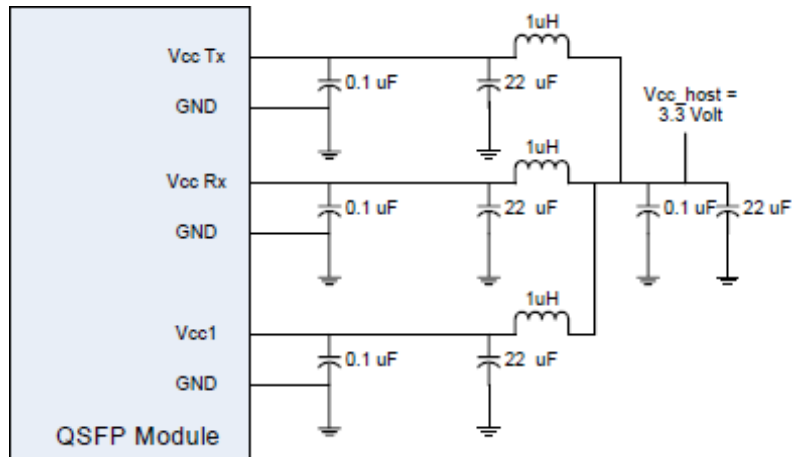
1. Module circuit ground is isolated from module chassis ground with in the module.

- Open collector; should be pulled up with 4.7k-10k ohms on host board to a voltage between 3.15V and 3.6V.

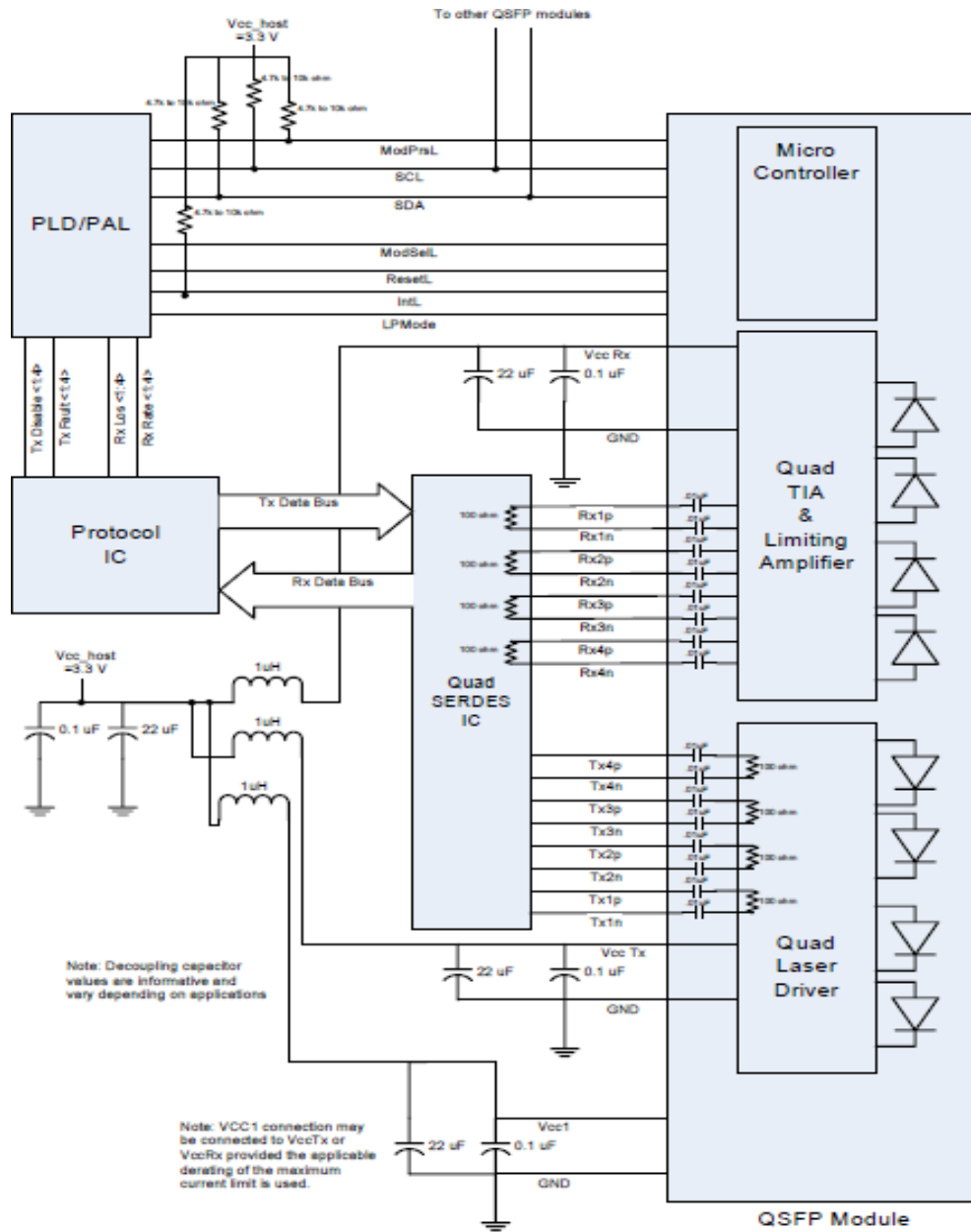
Electrical Pin-out Details



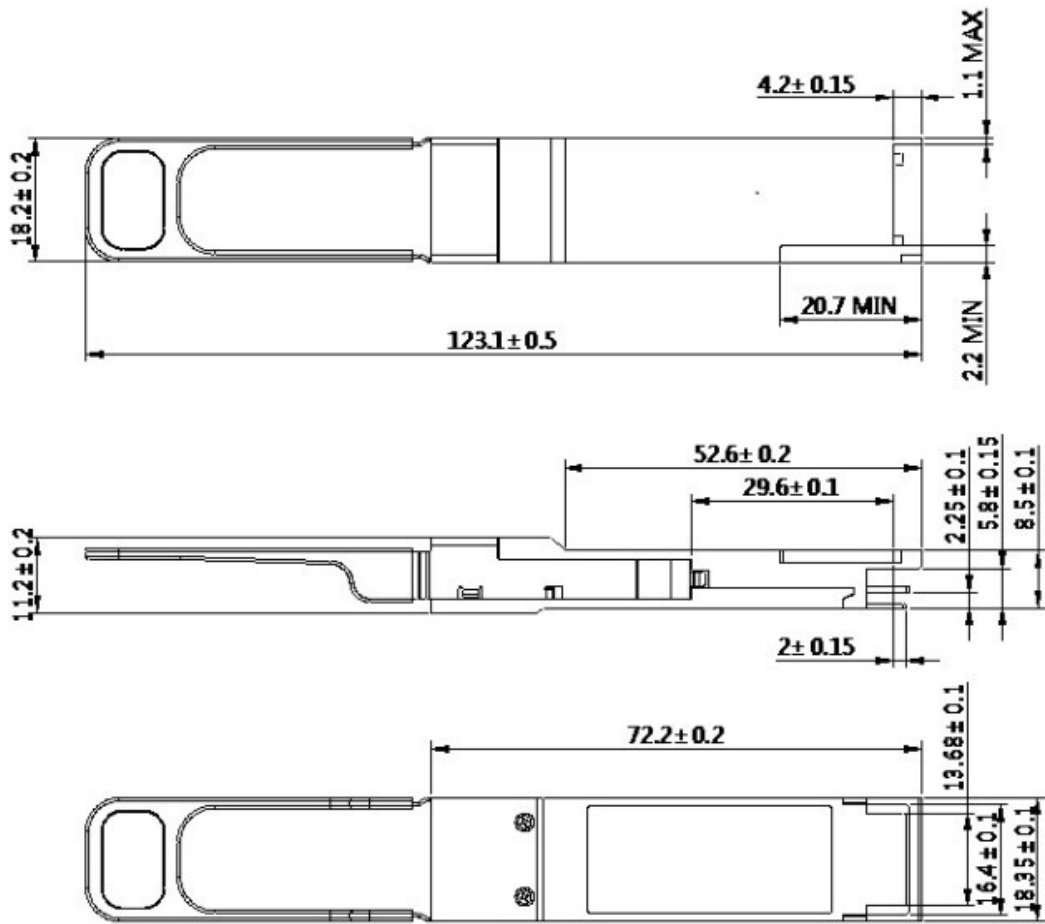
Power Supply Filtering



Recommended Application Interface Block Diagram



Mechanical Specifications



About ProLabs

Our experience comes as standard; for over 15 years ProLabs has delivered optical connectivity solutions that give our customers freedom and choice through our ability to provide seamless interoperability. At the heart of our company is the ability to provide state-of-the-art optical transport and connectivity solutions that are compatible with over 90 optical switching and transport platforms.

Complete Portfolio of Network Solutions

ProLabs is focused on innovations in optical transport and connectivity. The combination of our knowledge of optics and networking equipment enables ProLabs to be your single source for optical transport and connectivity solutions from 100Mb to 400G while providing innovative solutions that increase network efficiency. We provide the optical connectivity expertise that is compatible with and enhances your switching and transport equipment.

Trusted Partner

Customer service is our number one value. ProLabs has invested in people, labs and manufacturing capacity to ensure that you get immediate answers to your questions and compatible product when needed. With Engineering and Manufacturing offices in the U.K. and U.S. augmented by field offices throughout the U.S., U.K. and Asia, ProLabs is able to be our customers best advocate 24 hours a day.



Contact Information

ProLabs US

Email: sales@prolabs.com

Telephone: 952-852-0252

ProLabs UK

Email: salessupport@prolabs.com

Telephone: +44 1285 719 600