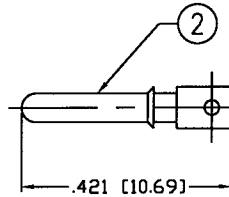
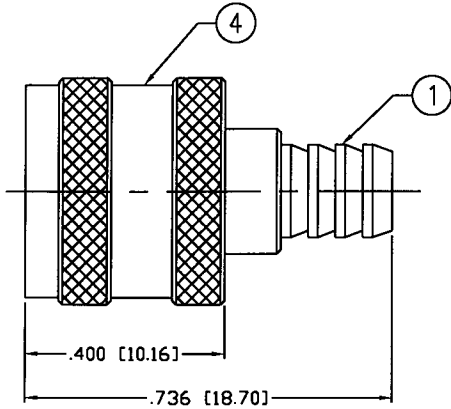


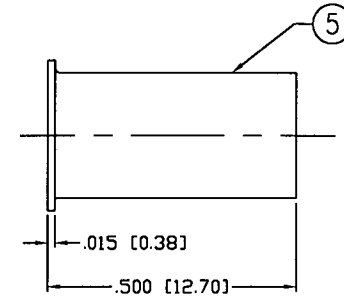
THIS DRAWING CONTAINS INFORMATION PROPRIETARY TO RF INDUSTRIES,
 ANY UNAUTHORIZED USE OF THIS DRAWING IS EXPRESSLY PROHIBITED
 WITHOUT WRITTEN PERMISSION FROM RF INDUSTRIES.
 ANY VIOLATION IS PUNISHABLE UNDER U.S. COPYRIGHT LAWS.

ALL DIMENSIONS ARE REFERENCE ONLY

| | | | | |
|----------|---------------------|------------------|--------|----------|
| PART NO. | | RFU-600-2 | | |
| REV | DESCRIPTION | DWN | DATE | APPROVED |
| - | ENGINEERING RELEASE | CZS | 7/7/00 | JDMc |
| | | | | |
| | | | | |



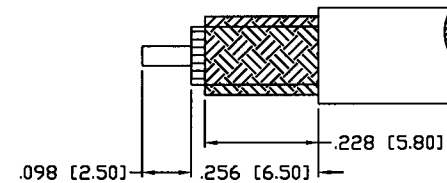
RECOMMENDED CRIMP DIE: .068



RECOMMENDED CRIMP DIE: .213

SPECIFICATIONS:

IMPEDANCE: 50 Ohms
 FREQUENCY RANGE: 0-2.5 GHz
 VSWR: 1.25 MAX.
 WORKING VOLTAGE: 335 V rms Max. @ Sea Level
 INSULATION RESISTANCE: 5k M Ohms min.
 TEMPERATURE RANGE: -65°C TO 165°C
 FOR RG-58, 58A, 58C, 141, 141A, BELDEN 8240,
 8259, 8262, 9201, 9203, 9310, 9311 & COMM/SCOPE 0268



RECOMMENDED STRIPING INSTRUCTIONS

| | | | | | | |
|----|-------------|-----|----------|------------|-----------|------|
| 1 | BODY | 1 | BRASS | BLK CHROME | 000486 | |
| 2 | PIN | 1 | BRASS | GOLD, 3μ | | |
| 3 | INSULATOR | 1 | PTFE | --- | | |
| 4 | SHELL | 1 | BRASS | BLK CHROME | | |
| 5 | FERRULE | 1 | BRASS | BLK CHROME | | |
| 6 | | | | | | |
| 7 | | | | | | |
| 8 | | | | | | |
| 9 | | | | | | |
| 10 | | | | | | |
| 11 | | | | | | |
| 12 | | | | | | |
| 13 | | | | | | |
| 14 | | | | | | |
| # | DESCRIPTION | QTY | MATERIAL | FINISH | APPROVALS | DATE |

UNLESS OTHERWISE SPECIFIED:
 1. REMOVE ALL BURRS
 2. BREAK ALL CORNERS & EDGES .005 R. MAX.
 3. CHAMFER 1ST & LAST THREADS 45°
 4. SURFACE ROUGHNESS 63 FINISH MIL-STD-10
 5. DIAMETERS ON COMMON CENTERS TO BE CONCENTRIC WITHIN .002 T.I.R.
 6. ALL DIMENSIONS ARE AFTER PLATING.

DIMENSIONS ARE IN INCHES AND [MILLIMETERS]
 UNLESS OTHERWISE NOTED TOLERANCES ARE:

| | |
|-----------------|-----------------|
| DECIMALS | DIAMETER |
| .xxx±.003 [.08] | .xxx±.001 [.03] |
| .xx±.005 [.13] | .xx±.003 [.08] |

7610 MIRAMAR RD
 SAN DIEGO, CA 92126
 (858) 549-6340
 (858) 549-6345 FAX

RF connectors
 DIVISION OF RF INDUSTRIES, LTD.

MINI UHF PLUG, CRIMP
 SHORTENED

| | | | |
|------|-------------|-----------|-----|
| SIZE | CABLE GROUP | DWG NO. | REV |
| A | C | RFU-600-2 | - |

SCALE: NTS CAD FILE OUTLINE SHEET 1 OF 1

DRAWN
C. ZUNIGA 9/5/02
 CHECKED
JDMc 9/6/02
 ORJ DRAWN
C. ZUNIGA 9/5/02