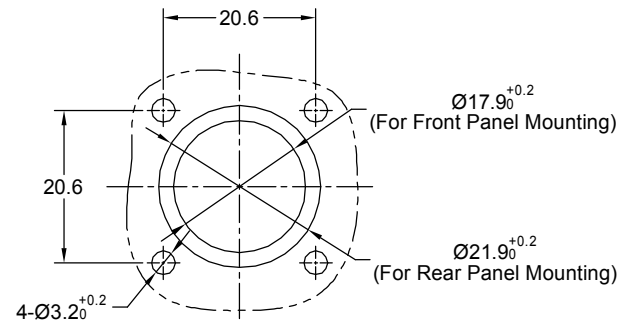
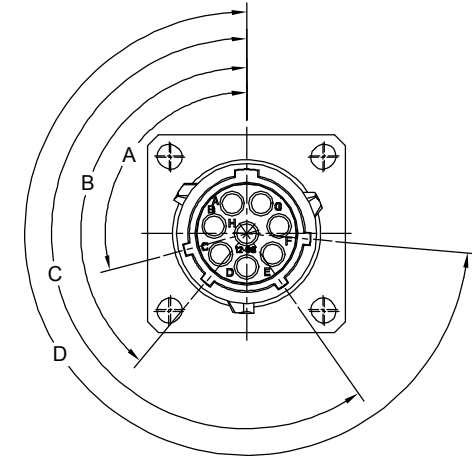
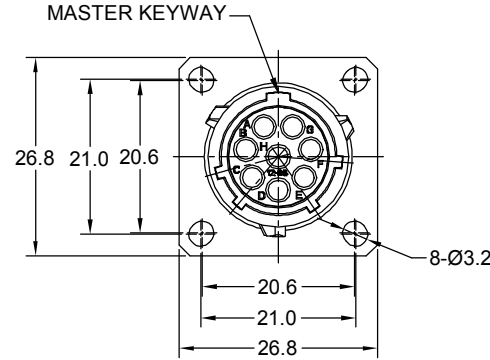
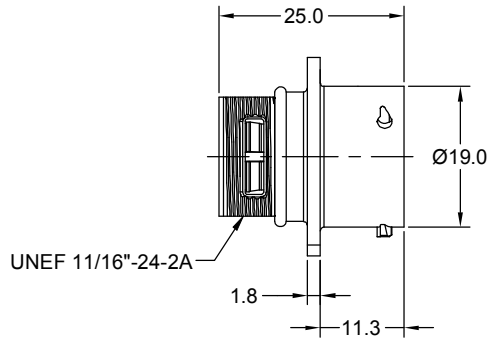
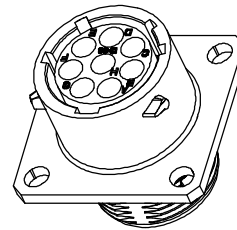


| REVISIONS |     |                                 |             |        |       |
|-----------|-----|---------------------------------|-------------|--------|-------|
| REV       | ECO | DESCRIPTION                     | DATE        | BY     | APPR  |
| B1        | -   | RELEASED DRAWING                | JUN-30-2014 | BEN    | TOMMY |
| B2        | -   | Update the Drawing              | Oct-08-2016 | Regan  | Tommy |
| B3        | -   | VOLTAGE UPDATE AND ADD KEY ICON | Jun-30-2020 | Ronald | Tommy |



PANEL CUT OUT REFERENCE



NOTES : (UNLESS OTHERWISE SPECIFIED)

- MATERIAL :  
SHELL : ZINC ALLOY , NICKEL PLATED.  
INSERT : THERMOPLASTIC , UL94 V-0.  
SEAL GASKET : NBR/SILICONE RUBBER  
O-RING : NBR/SILICONE RUBBER
- SPECIFICATIONS :  
2.1 RATED CURRENT : 13A (MAX).  
2.2 RATED VOLTAGE : 500V (AC/DC).  
2.3 OPERATING TEMPERATURE : SEE CHART  
2.4 DIELECTRIC WITHSTANDING VOLTAGE : LESS THAN 2 MILLIAMPS CURRENT LEAKAGE @2000 VOLTS AC.  
2.5 INSULATION RESISTANCE : 5000 MEGOHMS MIN.  
2.6 IP--CLASS : IP67 (MATED CONDITION).  
2.7 MATING CYCLES DURABILITY : 500 CYCLES MIN.  
2.8 RoHS COMPLIANT.
- SUITABLE CONTACTS : 16# CONTACTS.
- ALL DIMENSIONS ARE FOR REFERENCE USE ONLY.

| KEY POS | PART NUMBER   |               | A    | B    | C    | D    |
|---------|---------------|---------------|------|------|------|------|
|         | -40°C ~ 105°C | -40°C ~ 125°C |      |      |      |      |
| N       | RT00128SNH    | RT00128SNH03  | 105° | 140° | 215° | 265° |
| W       | RT00128SWH    | RT00128SWH03  | 60°  | 140° | 215° | 265° |
| X       | RT00128SXH    | RT00128SXH03  | 105° | 155° | 215° | 265° |
| Y       | RT00128SYH    | RT00128SYH03  | 105° | 140° | 225° | 265° |
| Z       | RT00128SZH    | RT00128SZH03  | 105° | 140° | 215° | 295° |

| QUANTITY | SEE PART NUMBER CHART | DESCRIPTION | ITEM |
|----------|-----------------------|-------------|------|
|          | PART NUMBER           |             |      |

| MATERIALS LIST   |  |  |                              |
|--|--|--|------------------------------|
| <b>UNLESS OTHERWISE SPECIFIED</b><br>1) All dimensions are in metric(mm).<br>2) Tolerances are as follows:<br>1 PL DEC ±0.30 Fractions ±1/64<br>2 PL DEC ±0.15 Angles ±1°<br>3 PL DEC ±0.08<br>3) Note reference =   |  | <b>SIGNATURES</b> <b>DATE</b><br>DRAWN: <b>Ronald</b> <b>Jun-30-2020</b><br>CHECKED: <b>Flan</b> <b>Jul-01-2020</b><br>ENGINEER:<br>APPROVAL: <b>Tommy</b> <b>Jul-02-2020</b><br>CUSTOMER: |                              |
| MATERIAL SPECIFICATIONS:<br>PROCESS SPECIFICATIONS:<br>NEXT ASSY:  |  | <b>Amphenol</b><br>Sine Systems - www.amphenol-sine.com<br>44724 Morley Drive<br>Clinton Township, MI 48036<br>ECOMATE RM, RECEPTACLE,<br>SIZE 12,8 POS, SOCKET.                           |                              |
| THIS DRAWING IS SUPPLIED FOR INFORMATION ONLY. DESIGN FEATURES, SPECIFICATIONS AND PERFORMANCE DATA SHOWN HEREON ARE THE PROPERTY OF THE AMPHENOL CORPORATION. NO RIGHTS OF REPRODUCTION ARE IMPLIED. ALL DIMENSIONS ARE SUBJECT TO NORMAL MANUFACTURING VARIATIONS. |  | <b>SIZE</b> TYPE DWG NO:<br><b>B C-</b> <b>RT00128S*Hx</b>   | <b>REVISION</b><br><b>B3</b> |
| SCALE: NONE  |  | SHEET 1 OF 1   |                              |

TITLE: ECOMATE RM, RECEPTACLE, SIZE 12,8 POS, SOCKET. DWG NO: RT00128S\*Hx REV: B3 SH: 1 OF: 1

## ecomate® RM/RSSM/Aquarius™ - Contact Size 16 Options

| Crimp Contacts, Machined |            |       |                               |            |
|--------------------------|------------|-------|-------------------------------|------------|
| Part Number              |            | AWG   | Wire Range (mm <sup>2</sup> ) | Plating    |
| Male                     | Female     |       |                               |            |
| MP14M23F                 | MS14M23F   | 14    | 2.0-2.5                       | Gold Flash |
| MP14M23G5                | MS14M23G5  | 14    | 2.0-2.5                       | Gold 5μ"   |
| MP14M23G10               | MS14M23G10 | 14    | 2.0-2.5                       | Gold 10μ"  |
| MP14M23G15               | MS14M23G15 | 14    | 2.0-2.5                       | Gold 15μ"  |
| MP14M23G30               | MS14M23G30 | 14    | 2.0-2.5                       | Gold 30μ"  |
| MP16M23F                 | MS16M23F   | 18-16 | 0.75-1.5                      | Gold Flash |
| MP16M23G5                | MS16M23G5  | 18-16 | 0.75-1.5                      | Gold 5μ"   |
| MP16M23G10               | MS16M23G10 | 18-16 | 0.75-1.5                      | Gold 10μ"  |
| MP16M23G15               | MS16M23G15 | 18-16 | 0.75-1.5                      | Gold 15μ"  |
| MP16M23G30               | MS16M23G30 | 18-16 | 0.75-1.5                      | Gold 30μ"  |
| MP20M23F                 | MS20M23F   | 22-20 | 0.34-0.50                     | Gold Flash |
| MP20M23G5                | MS20M23G5  | 22-20 | 0.34-0.50                     | Gold 5μ"   |
| MP20M23G10               | MS20M23G10 | 22-20 | 0.34-0.50                     | Gold 10μ"  |
| MP20M23G15               | MS20M23G15 | 22-20 | 0.34-0.50                     | Gold 15μ"  |
| MP20M23G30               | MS20M23G30 | 22-20 | 0.34-0.50                     | Gold 30μ"  |
| MP24M23F                 | MS24M23F   | 26-24 | 0.14-0.25                     | Gold Flash |
| MP24M23G5                | MS24M23G5  | 26-24 | 0.14-0.25                     | Gold 5μ"   |
| MP24M23G10               | MS24M23G10 | 26-24 | 0.14-0.25                     | Gold 10μ"  |
| MP24M23G15               | MS24M23G15 | 26-24 | 0.14-0.25                     | Gold 15μ"  |
| MP24M23G30               | MS24M23G30 | 26-24 | 0.14-.025                     | Gold 30μ"  |

| Tooling, Machined |  |
|-------------------|--|
| Part Number       | Description                                  |
| QXRT16            | Contact Extraction Tool, #16 (Ø 1.6) Contact |
| MFY-3959          | Hand Crimp Tool for Machined Contacts        |
| MFY-3960          | Pneumatic Crimp Tool for Machined Contact    |

| Plating Options, All |  |
|----------------------|--|
| Symbol               | Plating                                    |
| T                    | Tin Plated (for Stamped & Formed Contacts) |
| S                    | Silver Plated 5Um (for Machined Contacts)  |
| F                    | Gold Plated                                |
| G5                   | Gold Plated (Thickness 5μ")                |
| G10                  | Gold Plated (Thickness 10μ")               |
| G15                  | Gold Plated (Thickness 15μ")               |
| G30                  | Gold Plated (Thickness 30μ")               |

| Crimp Contacts, Stamped & Formed |           |       |                               |            |
|----------------------------------|-----------|-------|-------------------------------|------------|
| Part Number                      |           | AWG   | Wire Range (mm <sup>2</sup> ) | Plating    |
| Male                             | Female    |       |                               |            |
| SP14M2F                          | SS14M2F   | 14    | 2.0-2.5                       | Gold Flash |
| SP14M2G5                         | SS14M2G5  | 14    | 2.0-2.5                       | Gold 5μ"   |
| SP14M2G10                        | SS14M2G10 | 14    | 2.0-2.5                       | Gold 10μ"  |
| SP14M2G15                        | SS14M2G15 | 14    | 2.0-2.5                       | Gold 15μ"  |
| SP14M2G30                        | SS14M2G30 | 14    | 2.0-2.5                       | Gold 30μ"  |
| SP16M2F                          | SS16M2F   | 18-16 | 0.75-1.5                      | Gold Flash |
| SP16M2G5                         | SS16M2G5  | 18-16 | 0.75-1.5                      | Gold 5μ"   |
| SP16M2G10                        | SS16M2G10 | 18-16 | 0.75-1.5                      | Gold 10μ"  |
| SP16M2G15                        | SS16M2G15 | 18-16 | 0.75-1.5                      | Gold 15μ"  |
| SP16M2G30                        | SS16M2G30 | 18-16 | 0.75-1.5                      | Gold 30μ"  |
| SP20M2F                          | SS20M2F   | 22-20 | 0.34-0.50                     | Gold Flash |
| SP20M2G5                         | SS20M2G5  | 22-20 | 0.34-0.50                     | Gold 5μ"   |
| SP20M2G10                        | SS20M2G10 | 22-20 | 0.34-0.50                     | Gold 10μ"  |
| SP20M2G15                        | SS20M2G15 | 22-20 | 0.34-0.50                     | Gold 15μ"  |
| SP20M2G30                        | SS20M2G30 | 22-20 | 0.34-0.50                     | Gold 30μ"  |
| SP24M2F                          | SS24M2F   | 26-24 | 0.14-0.25                     | Gold Flash |
| SP24M2G5                         | SS24M2G5  | 26-24 | 0.14-0.25                     | Gold 5μ"   |
| SP24M2G10                        | SS24M2G10 | 26-24 | 0.14-0.25                     | Gold 10μ"  |
| SP24M2G15                        | SS24M2G15 | 26-24 | 0.14-0.25                     | Gold 15μ"  |
| SP24M2G30                        | SS24M2G30 | 26-24 | 0.14-0.25                     | Gold 30μ"  |

| Tooling, Stamped & Formed |  |
|---------------------------|--|
| Part Number               | Description  |
| QXRT16                    | Contact Extraction Tool, #16 (Ø 1.6) Contact           |
| MFY-3954                  | Hand Tool, Stamped & Formed Contact, Size 16, 20-14AWG |
| MFY-3957                  | Crimp Die, Stamped & Formed Contact                    |

| Misc Tooling, All |                            |
|-------------------|----------------------------|
| Part Number       | Description                |
| CA-4020-59        | Sealing Plug, Size 16 & 20 |

| Standard Quantity Order Options |                   |
|---------------------------------|-------------------|
| Machined                        | Stamped & Formed  |
| Bulk Package, 500 Pieces        | Reel, 3000 Pieces |

## ecomate® RM/RSSM - Contact Size 16, PC Tail Options

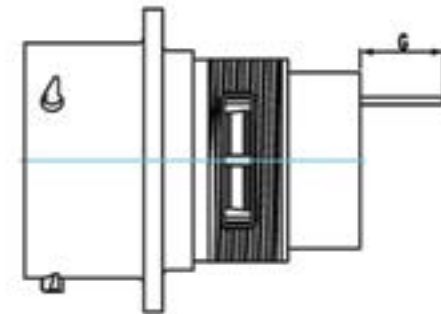
| PC Tail Contacts, Machined |               |     |               |            |
|----------------------------|---------------|-----|---------------|------------|
| Part Number                |               | AWG | Description   | Plating    |
| Male                       | Female        |     |               |            |
| MP16M12E06F                | MS16M12E06F   | 16  | Short Version | Gold Flash |
| MP16M12E06G5               | MS16M12E06G5  | 16  | Short Version | Gold 5µ"   |
| MP16M12E06G10              | MS16M12E06G10 | 16  | Short Version | Gold 10µ"  |
| MP16M12E06G15              | MS16M12E06G15 | 16  | Short Version | Gold 15µ"  |
| MP16M12E06G30              | MS16M12E06G30 | 16  | Short Version | Gold 30µ"  |
| MP16M12E09F                | MS16M12E09F   | 16  | Long Version  | Gold Flash |
| MP16M12E09G5               | MS16M12E09G5  | 16  | Long Version  | Gold 5µ"   |
| MP16M12E09G10              | MS16M12E09G10 | 16  | Long Version  | Gold 10µ"  |
| MP16M12E09G15              | MS16M12E09G15 | 16  | Long Version  | Gold 15µ"  |
| MP16M12E09G30              | MS16M12E09G30 | 16  | Long Version  | Gold 30µ"  |

| PC Tail Contacts, Stamped & Formed |        |     |             |         |
|------------------------------------|--------|-----|-------------|---------|
| Part Number                        |        | AWG | Description | Plating |
| Male                               | Female |     |             |         |
|                                    |        | N/A |             |         |
|                                    |        | N/A |             |         |
|                                    |        | N/A |             |         |
|                                    |        | N/A |             |         |
|                                    |        | N/A |             |         |
|                                    |        | N/A |             |         |
|                                    |        | N/A |             |         |
|                                    |        | N/A |             |         |
|                                    |        | N/A |             |         |
|                                    |        | N/A |             |         |

| PCB Contact Dimensions - Nominal Length G<br>(Size 20 PC Tail dimensions for ecomate® RM and ecomate® RSSM connectors only.) |              |              |              |              |              |              |
|--|--------------|--------------|--------------|--------------|--------------|--------------|
| Shell Size   | Pin Contact  |              |              |              |              |              |
|  | MP20W12E06xx | MP20W12E09xx | MP16M12E04xx | MP16M12E06xx | MP10B12E05xx | MP10B12E08xx |
| 10   | 4.0mm        | 9.5mm        | 4.0mm        | 8.0mm        | -            | -            |
| 12   | 4.0mm        | 9.5mm        | 4.0mm        | 8.0mm        | 5.0mm        | -            |
| 14   | 4.0mm        | 9.5mm        | 4.0mm        | 8.0mm        | 5.2mm        | -            |
| 16   | 4.0mm        | 9.5mm        | 4.0mm        | 8.0mm        | -            | -            |
| 18   | -            | 9.5mm        | 4.0mm        | 8.0mm        | -            | -            |
| 20   | -            | 9.5mm        | 4.0mm        | 8.0mm        | -            | -            |
| 24   | -            | -            | -            | 3.9mm        | -            | -            |

| Shell Size | Socket Contact |              |              |              |              |              |
|------------|----------------|--------------|--------------|--------------|--------------|--------------|
|            | MP20W12E06xx   | MP20W12E09xx | MP16M12E04xx | MP16M12E06xx | MP10B12E05xx | MP10B12E08xx |
| 10         | 3.3mm          | 8.5mm        | 2.4mm        | 3.0mm        | -            | -            |
| 12         | 3.3mm          | 8.5mm        | 2.4mm        | 3.0mm        | -            | -            |
| 14         | 3.3mm          | 8.5mm        | 2.4mm        | 3.0mm        | -            | -            |
| 16         | 3.3mm          | 8.5mm        | 2.4mm        | 3.0mm        | -            | -            |
| 18         | --             | 8.5mm        | 2.4mm        | -            | -            | -            |
| 20         | --             | 8.5mm        | 2.4mm        | -            | -            | -            |
| 24         | -              | -            | -            | -            | -            | -            |

| Standard Quantity Order Options |                  |
|---------------------------------|------------------|
| Machined                        | Stamped & Formed |
| Bulk Package, 500 Pieces        | N/A              |



**NOTE:** For ecomate® Aquarius™ PC Tail options, see our [ecomate® Aquarius™ PCB Mount Jam Nut Receptacles Flyer](#) online at [www.amphenol-sine.com](http://www.amphenol-sine.com).