

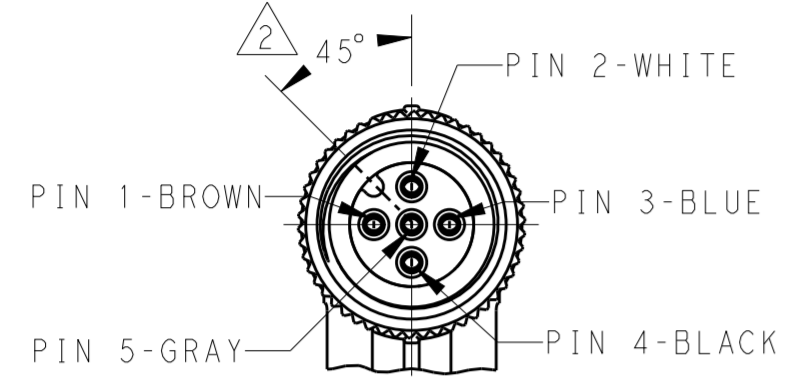
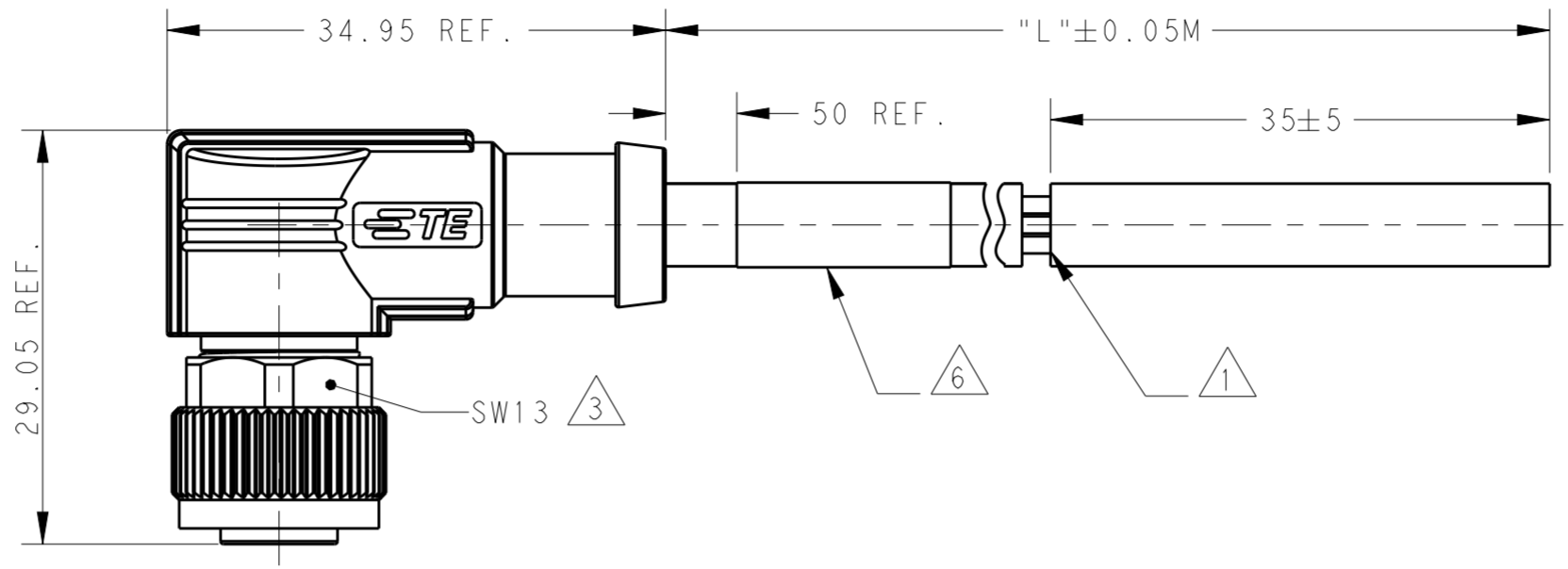
THIS DRAWING IS UNPUBLISHED. RELEASED FOR PUBLICATION 20
 © COPYRIGHT 20 BY - ALL RIGHTS RESERVED.

ITEM	DESCRIPTION	MATERIAL	OTHERS
1	FEMALE CONTACT	COPPER ALLOY	FLASH GOLD
2	HOUSING	NYLON	BLACK
3	COUPLING NUT	COPPER ALLOY	-
4	OVER-MOLDING	POLYURETHANE	BLUE
5	CABLE	-	-
6	LABEL	-	-

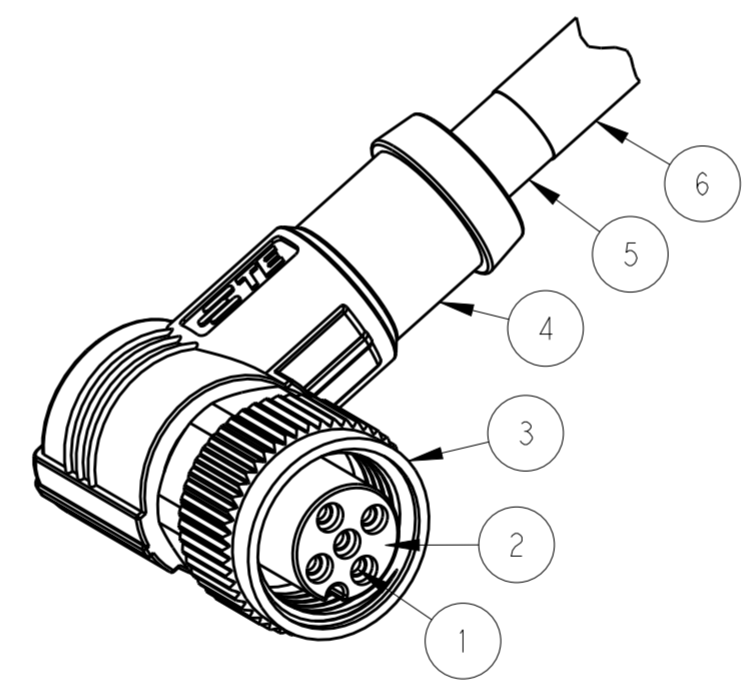
REVISIONS				
P	LTR	DESCRIPTION	DATE	APVD
	A	INITIAL RELEASE	13APR2016	HW XX

NOTE:
 △. STRIP AND RETAIN THE INSULATION
 △. CODE POSITION
 △. RECOMMENDED TORQUE 0.6 Nm
 △. -** : CABLE LENGTH
 -0.5:0.5M,
 -1.0:1.0M,
 -1.5:1.5M,
 -3.0:3.0M,
 -5.0:5.0M,
 -7.0:7.0M,
 -10.0:10.0M,
 5. CABLE ASSEMBLY TO BE PACKAGED IN POLYBAGS
 △. LABEL CONTAINS: PN, DATE CODE...

注释:
 △. 剥线并保留护套绝缘层
 △. CODE位置
 △. 推荐扭矩0.6 Nm
 △. -** : 线缆长度
 -0.5:0.5M,
 -1.0:1.0M,
 -1.5:1.5M,
 -3.0:3.0M,
 -5.0:5.0M,
 -7.0:7.0M,
 -10.0:10.0M,
 5. 线缆组件塑料袋包装
 △. 标签包含: 产品编号, 日期代码...



TECHNICAL DATA	T41614X0002-00X	T41614X0003-00X	T41614X0004-00X	T41614X0005-00X
RATED VOLTAGE		250V		60V
RATED IMPULSE VOLTAGE		2500V		1500V
RATED CURRENT		4A		
POLLUTION DEGREE		3		
OVERVOLTAGE CATEGORY		II		
MATERIAL GROUP		II		
DEGREE OF PROTECTION		IP67		



PIN ARRANGEMENT A-CODE		
T41614X0002-00X	T41614X0003-00X	T41614X0004-00X
T41614X0005-00X		

WIRES: 0.34mm ² (22AWG) WIRE COLOR: WH/BR/BK/BL/GR OD: APPROX.4.5MM FOR 2P/3P APPROX.5.0MM FOR 4P/5P	-001:0.5M -002:1.0M -003:1.5M -004:3.0M -005:5.0M -006:7.0M -007:10.0M	FIXED: -40°C~+80°C	GRAY	PUR (UL)	RPC-M12-FR-5CON-PUR-**SH△	5	T4161420005-00X
		FLXIBLE: -25°C~+80°C			RPC-M12-FR-4CON-PUR-**SH△	4	T4161420004-00X
					RPC-M12-FR-3CON-PUR-**SH△	3	T4161420003-00X
	FIXED: -10°C~+80°C FLXIBLE: -5°C~+80°C		BLACK	PVC (UL)	RPC-M12-FR-5CON-PVC-**SH△	5	T4161410005-00X
					RPC-M12-FR-4CON-PVC-**SH△	4	T4161410004-00X
					RPC-M12-FR-3CON-PVC-**SH△	3	T4161410003-00X
					RPC-M12-FR-2CON-PVC-**SH△	2	T4161410002-00X
CABLE CHARACTERISTIC	LENGTH "L"	TEMPERATURE RANGE	JACKET COLOR	JACKET MATERIAL	TYPE	POS.	TE PN

THIS DRAWING IS A CONTROLLED DOCUMENT.

DIMENSIONS:	TOLERANCES UNLESS OTHERWISE SPECIFIED:	DWN HAO WANG 13APR2016	 TE Connectivity
mm	0 PLC ±	CHK KOBBY ZHAO 13APR2016	
	1 PLC ±	APVD XIANG XU 13APR2016	
	2 PLC ±	PRODUCT SPEC	
	3 PLC ±	108-106140	NAME M12X1 RA RECEPTACLE, FREE END A-CODE, SHIELDED,
	4 PLC ±	APPLICATION SPEC	SIZE A2
MATERIAL	ANGLES ±	WEIGHT	CAGE CODE
	FINISH	CUSTOMER DRAWING	DRAWING NO
		SCALE 2:1	RESTRICTED TO
		SHEET 1 OF 1	REV A