

1

2

3

4

5

6

7

A

B

C

D

E

F

G

H

A

B

C

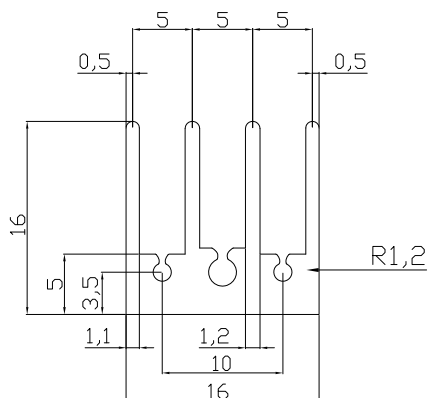
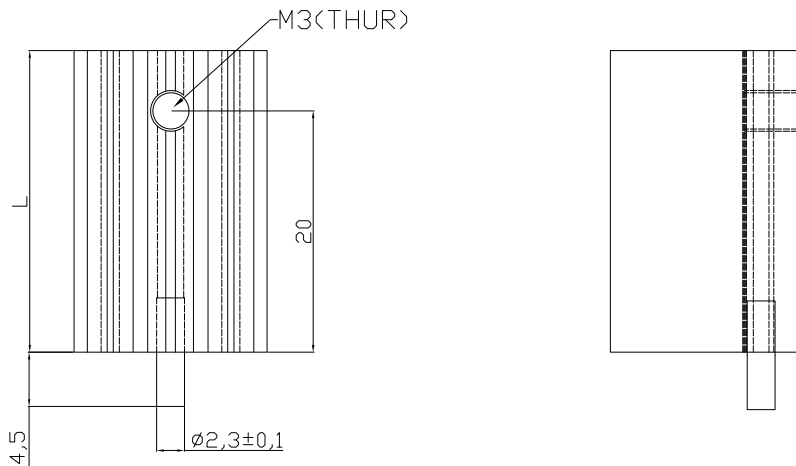
D

E

F

G

H



Material:AL6063-T5
 Finish: Black anodized

Option	L	Thermal resistance(K/W)
V7700W	25	9
V7700X	37.5	8.5

RoHS compliant
 Unit: mm

Scale	Free					Date	Name	Customer-No.
TOLERANCE						Drawn	11.08.2009	Dean
0-6	±0.10					Approved	03.04.2019	Amy
6-30	±0.20							
30-120	±0.30	③	Add the tolerance	03.04.2019	Segal			
120-400	±0.50	②	Modify drawing layout	10.03.2010	Alex			
DIM	TOL	①	Drawn	11.08.2009	Dean			
Angle	±0.5°	Id.	Modification	Date	Name			

Customer-No.		
ASSMANN WSW-No.		V7700x
Drawing-No.		ASS 0872 HS
Replace	rev03	Sheet

1

2

3

4

5

6

7