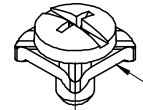
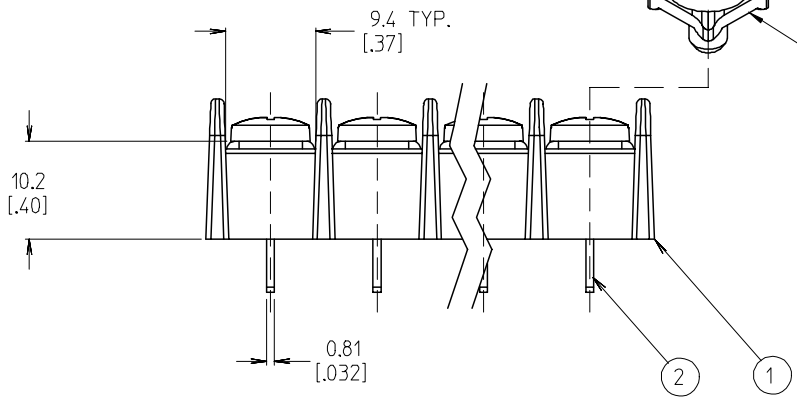
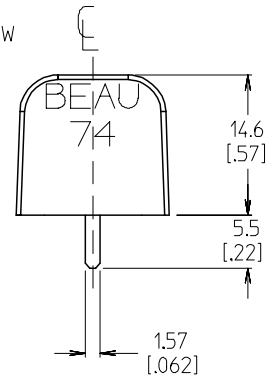


4 CIRCUIT SHOWN



4 REF -A-50 OPTION SCREW (WHERE APPLICABLE)



- NOTES:
1. MATERIAL: SEE TABLE
 2. FINISHES: SEE TABLE
 3. PRODUCT SPECIFICATION: NOT REQUIRED
 4. INCH DIMENSIONS ARE SHOWN IN BRACKETS [XXX].
 5. 'XX' REFERS TO THE QUANTITY OF CIRCUITS.
 6. ALL COMPONENTS ARE ROHS COMPLIANT.

ITEM	QTY	DESCRIPTION	MATERIAL	FINISH
4	XX	SCREW, #8-32X.250, PAN HD, PHIL-SLOT, W/WSHR (-A-50 OPTION)	STEEL	ZINC CHROMATE
3	XX	SCREW, #8-32X.290, BIND. HD, PHIL-SLOT (-A)	BRASS	NICKEL
2	XX	TERMINAL, PC	BRASS	TIN
1	1	INSULATOR, SINGLE ROW, MO (-C)	THERMOPLASTIC	BLACK

INITIAL RELEASE	2006/09/28	2006/09/28
EC NO: ETC2007-0073	DRW: NEHLE	CHKD: JMACNEIL
	APPR: JMACNEIL	2006/09/29
DESCRIPTION	REV	

QUALITY SYMBOLS	GENERAL TOLERANCES (UNLESS SPECIFIED)	
	mm	INCH
▽=0	4 PLACES ± ---	± ---
▽=0	3 PLACES ± ---	± .005
	2 PLACES ± 0.13	± .01
	1 PLACE ± 0.3	± ---
	ANGULAR ± 2 °	
	DRAFT WHERE APPLICABLE MUST REMAIN WITHIN DIMENSIONS	

DIMENSION STYLE	
MM/IN	
DRAWN BY	DATE
EHILE	2006/08/31
CHECKED BY	DATE
JMACNEIL	2006/08/31
APPROVED BY	DATE
JMACNEIL	2006/08/31
MATERIAL NO.	SEE CHART

SCALE	2:1	DESIGN UNITS	INCH	THIRD ANGLE PROJECTION
TITLE	11.11MM [4.38] SR BTS LOW PROFILE ASSY, -A-C OPTION			
MATERIAL NO.	SEE CHART	DOCUMENT NO.	SD-38741-003	SHEET NO.
				1 OF 2
THIS DRAWING CONTAINS INFORMATION THAT IS PROPRIETARY TO MOLEX INCORPORATED AND SHOULD NOT BE USED WITHOUT WRITTEN PERMISSION				

NO. OF CIRCUITS 'XX'	DM. 'A'	DM. 'B'	ASSEMBLY MATERIAL NO. (-A-C OPTION)	ASSEMBLY MATERIAL NO. (-A-C-50 OPTION)
02	24.5 [97]	11.11 [438]	387419802	387420002
03	35.7 [140]	22.23 [875]	387419803	387420003
04	46.8 [184]	33.34 [1313]	387419804	387420004
05	57.9 [228]	44.45 [1750]	387419805	387420005
06	69.0 [272]	55.56 [2188]	387419806	387420006
07	80.1 [315]	66.68 [2625]	387419807	387420007
08	91.2 [359]	77.79 [3063]	387419808	387420008
09	102.3 [403]	88.90 [3500]	387419809	387420009
10	113.4 [447]	100.01 [3938]	387419810	387420010
11	124.6 [490]	111.13 [4375]	387419811	387420011
12	135.7 [534]	122.24 [4813]	387419812	387420012
13	146.8 [578]	133.35 [5250]	387419813	387420013
14	157.9 [622]	144.46 [5688]	387419814	387420014
15	169.0 [665]	155.58 [6125]	387419815	387420015
16	180.1 [709]	166.69 [6563]	387419816	387420016
17	191.2 [753]	177.80 [7000]	387419817	387420017
18	202.3 [797]	188.91 [7438]	387419818	387420018
19	213.5 [840]	200.03 [7875]	387419819	387420019
20	224.6 [884]	211.14 [8313]	387419820	387420020
21	235.7 [928]	222.25 [8750]	387419821	387420021
22	246.8 [972]	233.36 [9188]	387419822	387420022
23	257.9 [1015]	244.48 [9625]	387419823	387420023
24	269.0 [1059]	255.59 [10063]	387419824	387420024
25	280.1 [1103]	266.70 [10500]	387419825	387420025
26	291.2 [1147]	277.81 [10938]	387419826	387420026
27	302.4 [1190]	288.93 [11375]	387419827	387420027
28	313.5 [1234]	300.04 [11813]	387419828	387420028
29	324.6 [1278]	311.15 [12250]	387419829	387420029
30	335.7 [1322]	322.26 [12688]	387419830	387420030

INITIAL RELEASE EC NO: ETC2007-0073 DRW: EHILE 2006/09/28 CHKD: JMACNEIL 2006/09/28 APPR: JMACNEIL 2006/09/29	DESCRIPTION A	QUALITY SYMBOLS ▽=0 ▽=0	GENERAL TOLERANCES (UNLESS SPECIFIED)		DIMENSION STYLE MM/IN	SCALE 2:1	DESIGN UNITS INCH	THIRD ANGLE PROJECTION	
			4 PLACES ± --- ± ---	3 PLACES ± --- ± .005	DRAWN BY EHILE	DATE 2006/08/31	TITLE 11.11MM [.438] SR BTS LOW PROFILE ASSY, -A-C OPTION		
			2 PLACES ± 0.13 ± .01	1 PLACE ± 0.3 ± ---	CHECKED BY JMACNEIL	DATE 2006/08/31			
			ANGULAR ± 2 °		APPROVED BY JMACNEIL		DATE 2006/08/31		MOLEX INCORPORATED
DRAFT WHERE APPLICABLE MUST REMAIN WITHIN DIMENSIONS			MATERIAL NO. SEE CHART		DOCUMENT NO. SD-38741-003	SHEET NO. 2 OF 2			
THIS DRAWING CONTAINS INFORMATION THAT IS PROPRIETARY TO MOLEX INCORPORATED AND SHOULD NOT BE USED WITHOUT WRITTEN PERMISSION									