

MATERIAL AND FINISHES

BODY BRASS
PLATED NICKEL

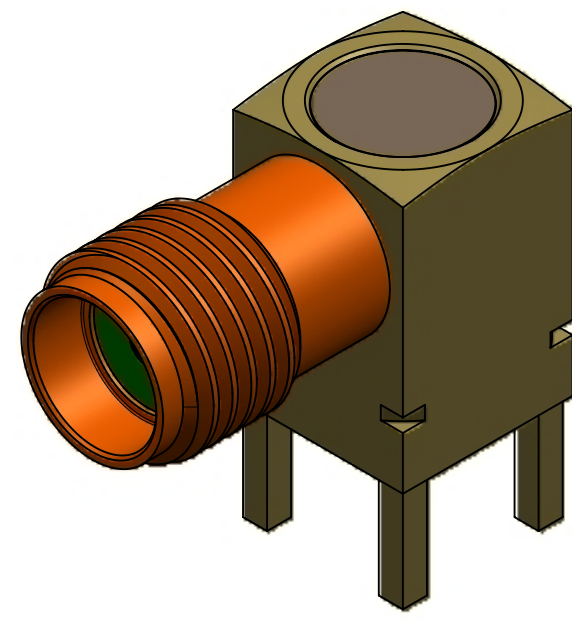
CENTER CONTACT BERYLLIUM COPPER
PLATED GOLD

PCB CONTACT BRASS
PLATED GOLD

INSULATOR TEFLON

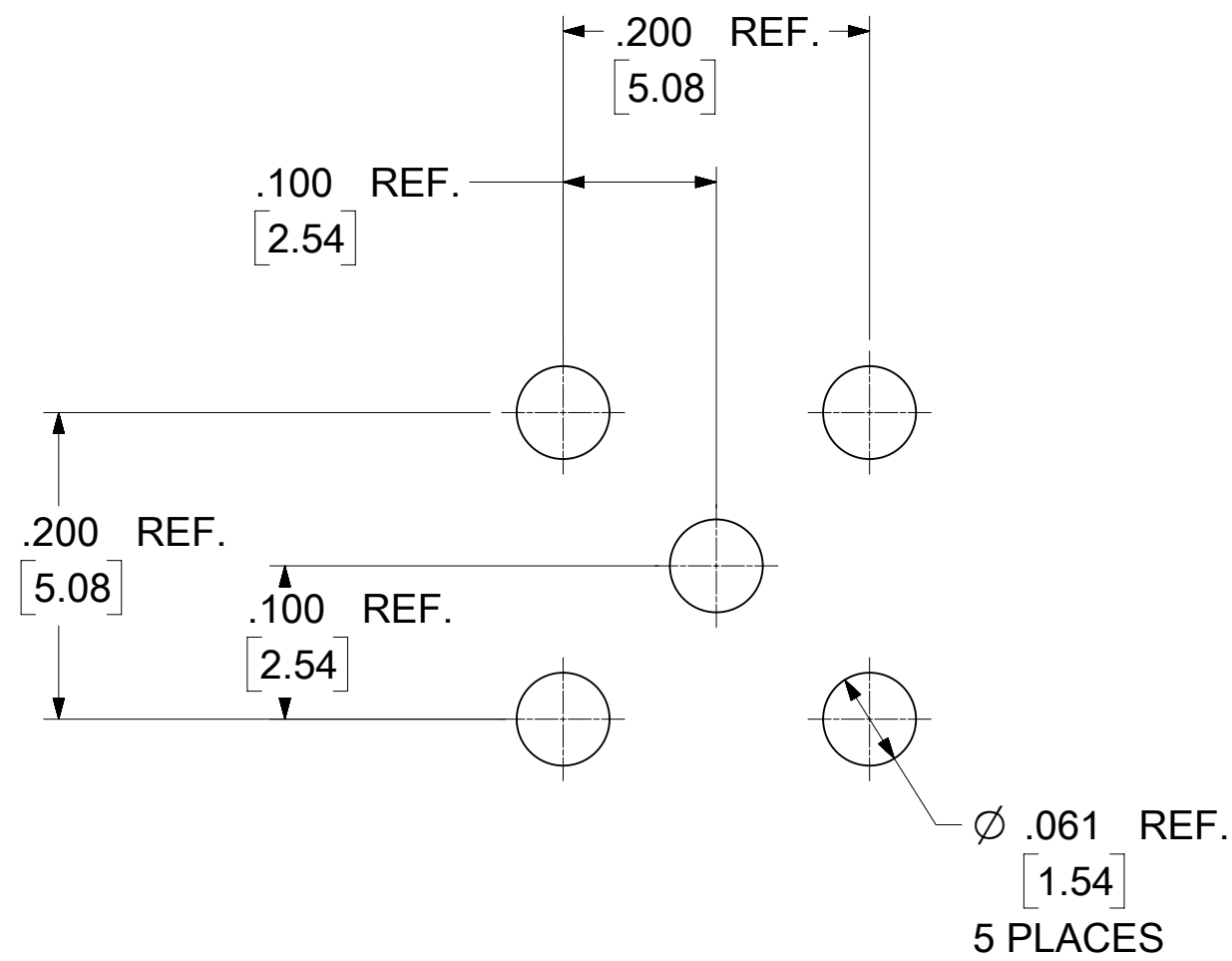
NOTE:

- 73100-0115 PACKAGE REFER TO PK-89542-0320
- EXCEPTION TO PRODUCT SPECIFICATION
FREQUENCY RANGE: DC TO 12GHZ

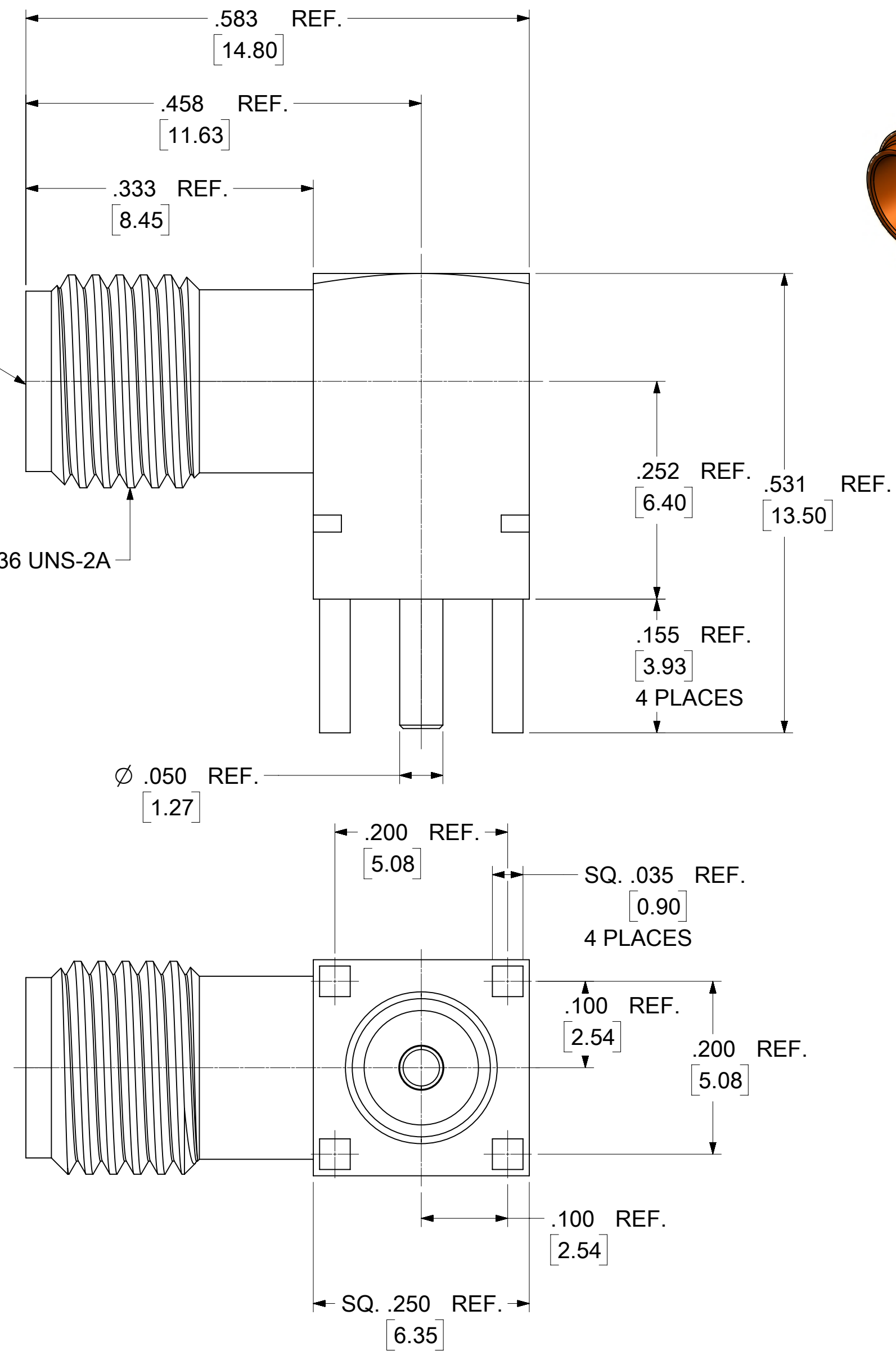


SMA JACK
INTERFACE

1/4-36 UNS-2A



RECOMMENDED PCB LAYOUT



73251-3131	ONE PER BAG
73100-0115	TRAY
PART NO.	PACKAGING

PS-89675-3460	PRODUCT SPECIFICATION
SPECIFICATION	DESCRIPTION

B5	2020/02/06	ADD FREQUENCY NOTE PER EWR 13330-B
B4	2019/09/05	ADDED NOTE 1 PER EWR # 13330-A
B3	2011/03/30	ADD SINGLE BAG VERSION PS WAS 73598-0111
REV.	DATE	DESCRIPTION

SYMBOLS		THIS DRAWING CONTAINS INFORMATION THAT IS PROPRIETARY TO MOLEX ELECTRONIC TECHNOLOGIES, LLC AND SHOULD NOT BE USED WITHOUT WRITTEN PERMISSION	
▽ = 0	HYBRID	SCALE	CURRENT REV DESC:
▽ = 0	NTS		
▽ = 0	GENERAL TOLERANCES (UNLESS SPECIFIED)		
▽ = 0	ANGULAR TOL ± 2.0°		
▽ = 0	4 PLACES ±	EC NO: 631707	2020/02/06
▽ = 0	3 PLACES ±	DRWN: CWEI02	2020/02/11
▽ = 0	2 PLACES ±	CHK'D: YCHENG	2020/02/11
▽ = 0	1 PLACE ±	APPR: YCHENG	2020/02/11
▽ = 0	0 PLACES ±	INITIAL REVISION:	
▽ = 0		DRWN: JWIENER	2008/02/07
▽ = 0		APPR: JWIENER	2008/02/07
▽ = 0	DRAFT WHERE APPLICABLE MUST REMAIN WITHIN DIMENSIONS	THIRD ANGLE PROJECTION	DRAWING SERIES
		C-SIZE	73100
DOCUMENT STATUS		DOCUMENT NUMBER	DOC TYPE DOC PART REVISION
P1	RELEASE DATE 2020/02/11 09:47:17	SD-73100-0115	PSD 001 B5
MATERIAL NUMBER		CUSTOMER	SHEET NUMBER
SEE TABLE		GENERAL MARKET	1 OF 1

molex

SMA JACK, R/A PCB, 50 OHMS
PLATED NICKEL, SMA-J/PCB EWR # 13330

PRODUCT CUSTOMER DRAWING