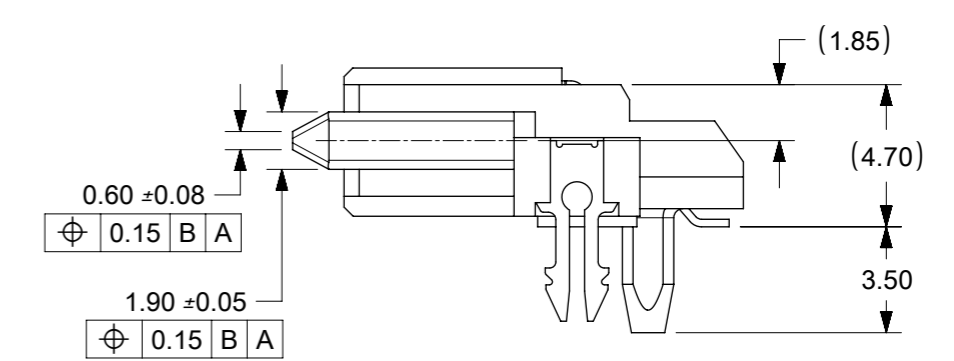
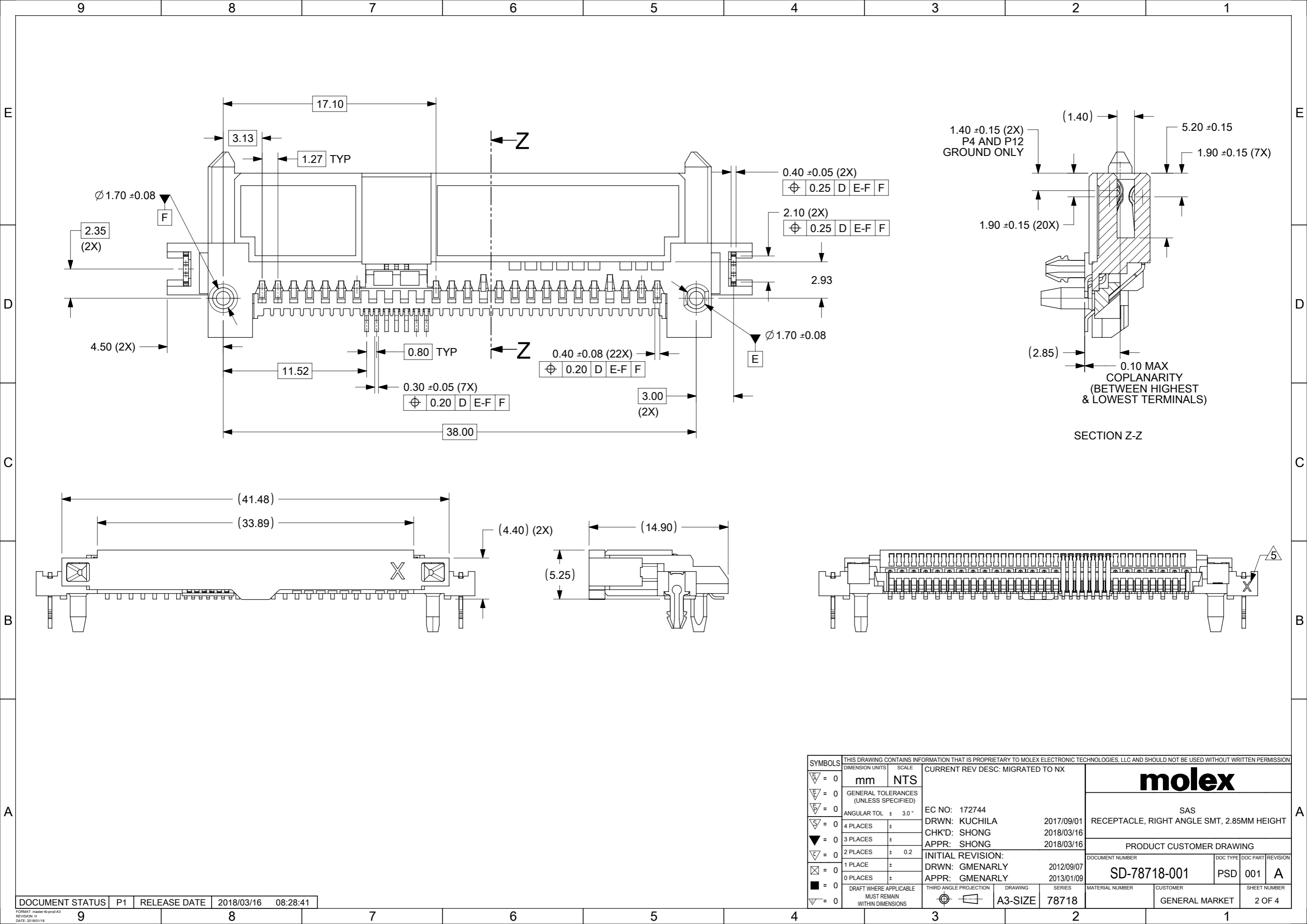


- NOTES:
- MATERIALS:
HOUSING: LIQUID CRYSTALLINE POLYMER (LCP, GLASS-FILLED UL 94V-0, COLOR: BLACK)
TERMINAL/FORKLOCK/BLADE: COPPER ALLOY
 - FINISHES:
TERMINAL CONTACT: 0.76μM MIN. SELECTIVE GOLD OVER
1.27μM MIN. NICKEL UNDERPLATE
TERMINAL SOLDER TAIL: 2.54μM MIN. TIN OVER
1.27μM MIN. NICKEL UNDERPLATE
FORKLOCK/BLADE: 2.54μM MIN. TIN OVER 1.27μM MIN. NICKEL UNDERPLATE
 - PRODUCT SPECIFICATION: PS-78718-001
 - PACKAGING SPECIFICATION: PK-78718-001
 - MOLEX LOGO, SERIES NUMBER, CAVITY ID AND DATE CODE LOCATED APPROXIMATELY AS SHOWN
 - NON FUNCTIONAL CORING MAY VARIES
 - PRODUCT IS COMPLIANT TO RoHS DIRECTIVE WITH THE FOLLOWING BANNED SUBSTANCES - LEAD, MERCURY, CADMIUM, HEXAVALENT CHROMIUM, POLYBROMINATED BIPHENYLS AND POLYBROMINATED DIPHENIL ETHERS
 - REFER TO AS-78718-001 FOR PCB ROUTING RECOMMENDATIONS



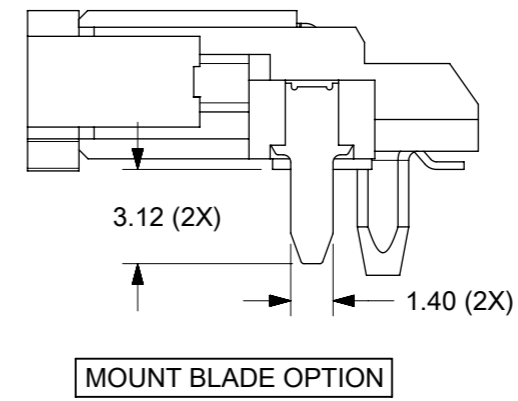
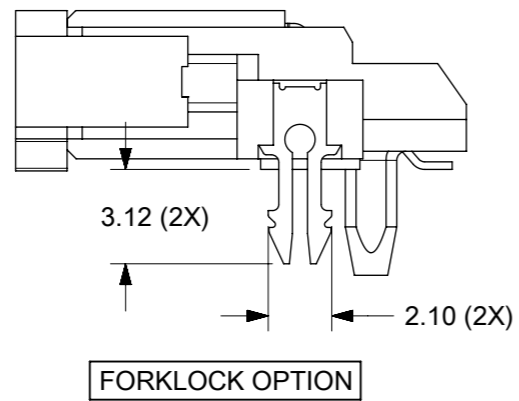
SYMBOLS	THIS DRAWING CONTAINS INFORMATION THAT IS PROPRIETARY TO MOLEX ELECTRONIC TECHNOLOGIES, LLC AND SHOULD NOT BE USED WITHOUT WRITTEN PERMISSION		CURRENT REV DESC: MIGRATED TO NX		molex		
	DIMENSION UNITS	SCALE					
▽ = 0	mm	NTS			SAS		
▽ = 0	GENERAL TOLERANCES (UNLESS SPECIFIED)				RECEPTACLE, RIGHT ANGLE SMT, 2.85MM HEIGHT		
▽ = 0	ANGULAR TOL ± 3.0°				PRODUCT CUSTOMER DRAWING		
▽ = 0	4 PLACES	±	EC NO: 172744	2017/09/01	DOCUMENT NUMBER		
▽ = 0	3 PLACES	±	DRWN: KUCHILA	2018/03/16	SD-78718-001		
▽ = 0	2 PLACES	± 0.2	CHK'D: SHONG	2018/03/16	DOC TYPE	DOC PART	REVISION
▽ = 0	1 PLACE	±	APPR: SHONG	2018/03/16	PSD	001	A
▽ = 0	0 PLACES	±	INITIAL REVISION:		MATERIAL NUMBER		
▽ = 0	DRAFT WHERE APPLICABLE MUST REMAIN WITHIN DIMENSIONS		DRWN: GMENARLY	2012/09/07	CUSTOMER		
▽ = 0	THIRD ANGLE PROJECTION		APPR: GMENARLY	2013/01/09	GENERAL MARKET		
▽ = 0	DRAWING		SERIES		SHEET NUMBER		
▽ = 0	A3-SIZE		78718		1 OF 4		



SYMBOLS		THIS DRAWING CONTAINS INFORMATION THAT IS PROPRIETARY TO MOLEX ELECTRONIC TECHNOLOGIES, LLC AND SHOULD NOT BE USED WITHOUT WRITTEN PERMISSION	
▽ = 0	mm	SCALE	CURRENT REV DESC: MIGRATED TO NX
▽ = 0	NTS		
▽ = 0	GENERAL TOLERANCES (UNLESS SPECIFIED)		molex SAS RECEPTACLE, RIGHT ANGLE SMT, 2.85MM HEIGHT PRODUCT CUSTOMER DRAWING
▽ = 0	ANGULAR TOL ± 3.0°		
▽ = 0	4 PLACES ±		
▽ = 0	3 PLACES ±		
▽ = 0	2 PLACES ± 0.2		
▽ = 0	1 PLACE ±		EC NO: 172744 DRWN: KUCHILA 2017/09/01 CHK'D: SHONG 2018/03/16 APPR: SHONG 2018/03/16
▽ = 0	0 PLACES ±		INITIAL REVISION: DRWN: GMENARLY 2012/09/07 APPR: GMENARLY 2013/01/09
■ = 0	DRAFT WHERE APPLICABLE MUST REMAIN WITHIN DIMENSIONS		DOCUMENT NUMBER SD-78718-001
▽ = 0	THIRD ANGLE PROJECTION	DRAWING	DOC TYPE DOC PART REVISION
		A3-SIZE	PSD 001 A
	SERIES	MATERIAL NUMBER	CUSTOMER
	78718		GENERAL MARKET
			SHEET NUMBER
			2 OF 4

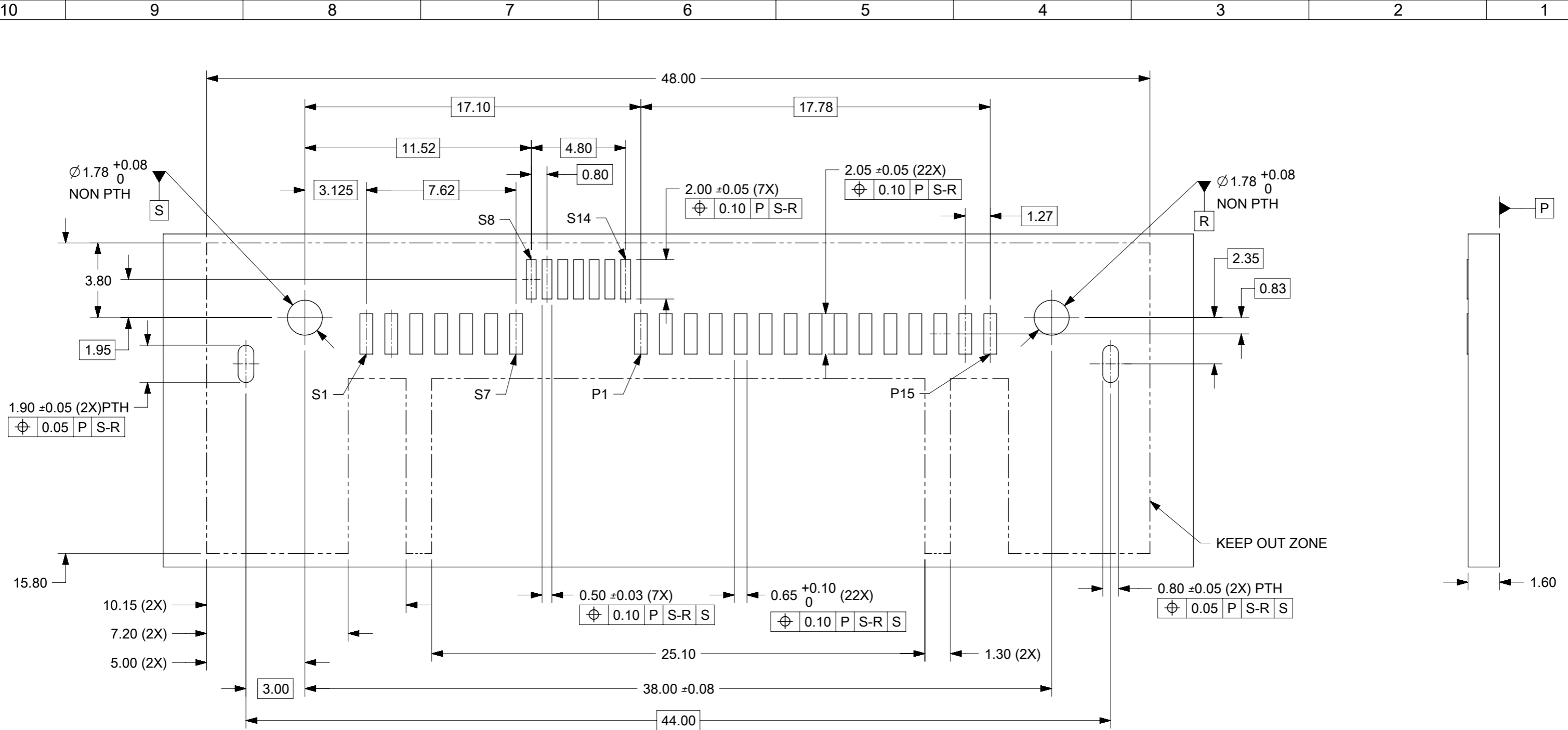
DOCUMENT STATUS	P1	RELEASE DATE	2018/03/16	08:28:41
-----------------	----	--------------	------------	----------

PART NO	HOLD DOWN	CAP
78718-0001	FORKLOCK	YES
78718-0002	MOUNT BLADE	YES



SYMBOLS	THIS DRAWING CONTAINS INFORMATION THAT IS PROPRIETARY TO MOLEX ELECTRONIC TECHNOLOGIES, LLC AND SHOULD NOT BE USED WITHOUT WRITTEN PERMISSION		molex					
	DIMENSION UNITS	SCALE				CURRENT REV DESC: MIGRATED TO NX		
▽ = 0	mm	NTS	EC NO: 172744 DRWN: KUCHILA 2017/09/01 CHK'D: SHONG 2018/03/16 APPR: SHONG 2018/03/16 INITIAL REVISION: DRWN: GMENARLY 2012/09/07 APPR: GMENARLY 2013/01/09					
▽ = 0	GENERAL TOLERANCES (UNLESS SPECIFIED)					SAS RECEPTACLE, RIGHT ANGLE SMT, 2.85MM HEIGHT		
▽ = 0	ANGULAR TOL ± 3.0°							
▽ = 0	4 PLACES ±					DOCUMENT NUMBER SD-78718-001 DOC TYPE PSD DOC PART 001 REVISION A		
▽ = 0	3 PLACES ±		MATERIAL NUMBER CUSTOMER GENERAL MARKET SHEET NUMBER 3 OF 4					
▽ = 0	2 PLACES ±	0.2				DRAFT WHERE APPLICABLE MUST REMAIN WITHIN DIMENSIONS		
▽ = 0	1 PLACE ±		THIRD ANGLE PROJECTION DRAWING A3-SIZE SERIES 78718					
▽ = 0	0 PLACES ±					THIRDS ANGLE PROJECTION DRAWING A3-SIZE SERIES 78718		
▽ = 0								

DOCUMENT STATUS	P1	RELEASE DATE	2018/03/16	08:28:41
-----------------	----	--------------	------------	----------



RECOMMENDED PCB LAYOUT

SYMBOLS ▽ = 0 ▽ = 0 ▽ = 0 ▽ = 0 ▽ = 0 ▽ = 0 ▽ = 0 ▽ = 0 ▽ = 0 ▽ = 0 ▽ = 0 ▽ = 0 ▽ = 0 ▽ = 0 ▽ = 0	DIMENSION UNITS mm	SCALE NTS	THIS DRAWING CONTAINS INFORMATION THAT IS PROPRIETARY TO MOLEX ELECTRONIC TECHNOLOGIES, LLC AND SHOULD NOT BE USED WITHOUT WRITTEN PERMISSION						
	GENERAL TOLERANCES (UNLESS SPECIFIED)		CURRENT REV DESC: MIGRATED TO NX						
	ANGULAR TOL ± 3.0°		EC NO: 172744 DRWN: KUCHILA 2017/09/01 CHK'D: SHONG 2018/03/16 APPR: SHONG 2018/03/16						
	4 PLACES ± 3 PLACES ± 2 PLACES ± 0.2 1 PLACE ± 0 PLACES ±		INITIAL REVISION: DRWN: GMENARLY 2012/09/07 APPR: GMENARLY 2013/01/09						
DRAFT WHERE APPLICABLE MUST REMAIN WITHIN DIMENSIONS		THIRD ANGLE PROJECTION	DRAWING A3-SIZE	SERIES 78718	MATERIAL NUMBER SD-78718-001	CUSTOMER GENERAL MARKET	DOC TYPE PSD	DOC PART 001	REVISION A

molex

SAS
RECEPTACLE, RIGHT ANGLE SMT, 2.85MM HEIGHT

PRODUCT CUSTOMER DRAWING

DOCUMENT STATUS	P1	RELEASE DATE	2018/03/16	08:28:41
-----------------	----	--------------	------------	----------