

MATERIALS AND FINISHES:

SMA CONNECTOR

BODY: BRASS
PLATED GOLD

CENTER CONTACT: PHOSPHOR BRONZE
PLATED GOLD

INSULATOR: TEFLON

JAM NUT: BRASS
PLATED GOLD

LOCK WASHER: SPCC
PLATED GOLD

MCRF CONNECTOR

HOUSING: PHOSPHOR BRONZE
PLATED SEE TABLE

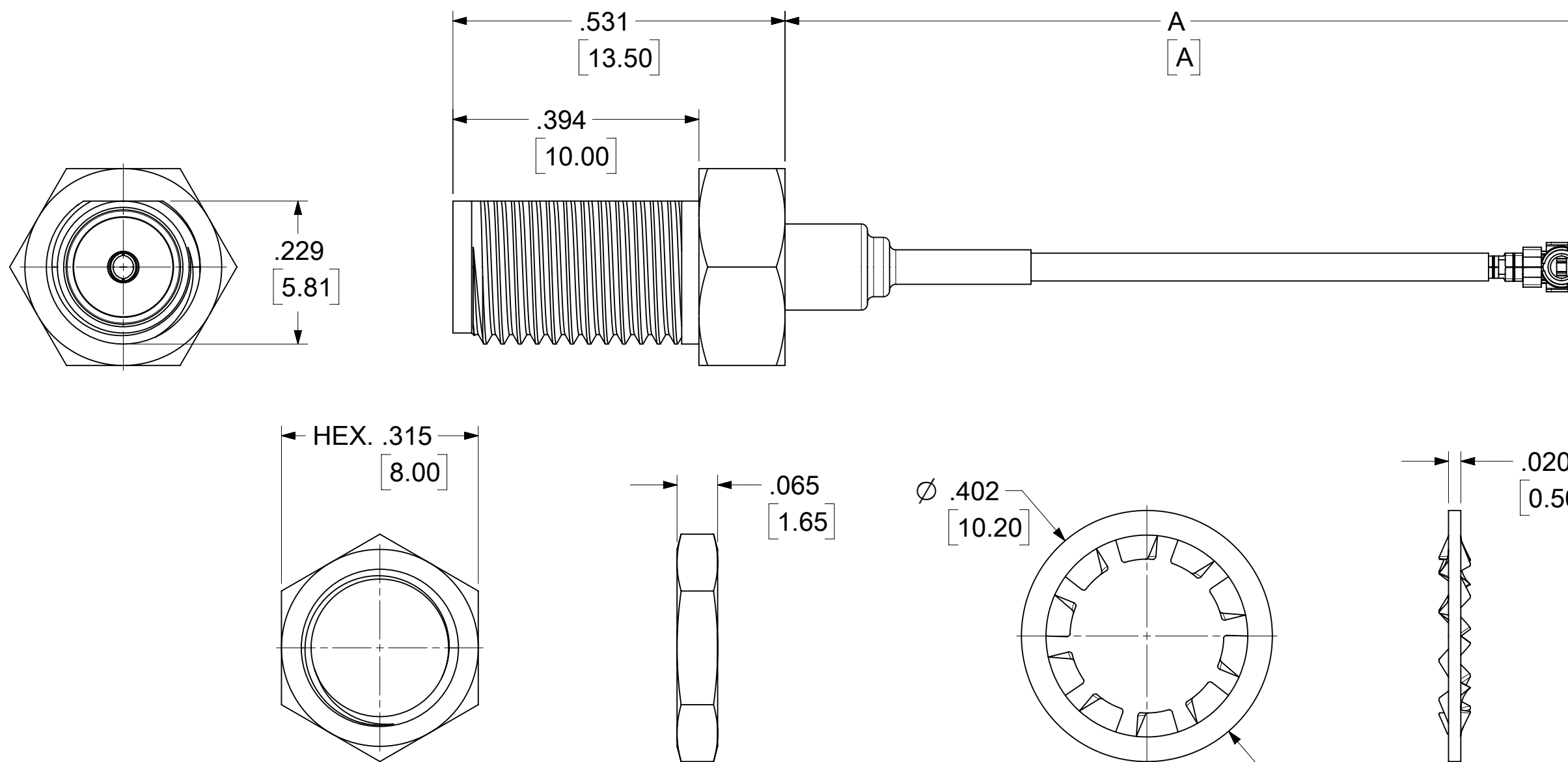
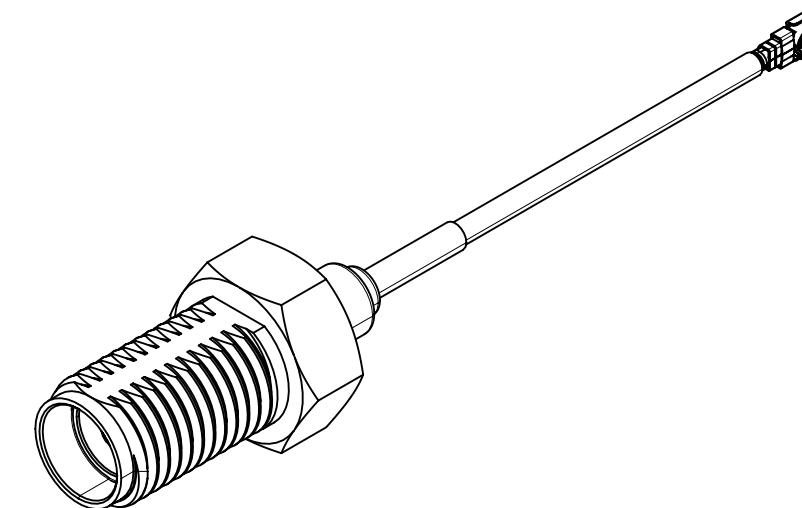
HOUSING: PBT

CENTER CONTACT: PHOSPHOR BRONZE
PLATED GOLD

CABLE

DIA. 1.13 MM CABLE OR EQUIVALENT
COLOR GRAY

SHRINK TUBE: VERSAFIT V2



SEE PSD-732301050 FOR PART NO. CONTINUATION

89761-3418	GOLD	3.937±.197	100.00±5.00	89761-3412 FOR SMALL QTY POLY BAG PER P/N 89542-0390
89761-3417	GOLD	7.087±.197	180.00±5.00	POLY BAG PER P/N 89542-0301
89761-3416	GOLD	6.693±.197	170.00±5.00	POLY BAG PER P/N 89542-0303
89761-3415	GOLD	3.000±.197	76.20±5.00	POLY BAG PER P/N 89542-0431
89761-3414	GOLD	5.906±.197	150.00±5.00	POLY BAG PER P/N 89542-0432
89761-3413	GOLD	11.811±.197	300.00±5.00	POLY BAG PER P/N 89542-0430
89761-3412	GOLD	3.937±.197	100.00±5.00	POLY BAG PER P/N 89542-0304
89761-3411	GOLD	7.874±.197	200.00±5.00	POLY BAG PER P/N 89542-0303
89761-3410	SILVER	3.937±.197	100.00±5.00	POLY BAG PER P/N 89542-0304
PART NO.	UFL PLATING	IN	MM	PACKAGING
		DIMENSION A		

OBSOLETE

LABEL FORMAT FOR
89761-3418

MOLEX P/N: 89761-3418
DATE: YYWW

MIL-STD-348A, FIG. 310.2	INTERFACE
SPECIFICATION	DESCRIPTION

FUNCTIONAL SYMBOLS	THIS DRAWING CONTAINS INFORMATION THAT IS PROPRIETARY TO MOLEX ELECTRONIC TECHNOLOGIES, LLC AND SHOULD NOT BE USED WITHOUT WRITTEN PERMISSION				
DIMENSION UNITS	SCALE	CURRENT REV DESC: ADD NOTE PER EWR14387-A			
$\frac{E}{A} = 0$	IN/MM	NTS			
$\frac{E}{C} = 0$	GENERAL TOLERANCES (UNLESS SPECIFIED)				
$\frac{E}{P} = 0$	ANGULAR TOL $\pm 2.0^\circ$				
DIVISIONAL SYMBOLS	4 PLACES \pm	EC NO: 658408	2021/03/18	<p>SMA JACK TO MCRF 1.13 CABLE CA-SMA/MCRF</p> <p>PRODUCT CUSTOMER DRAWING</p>	
3 PLACES \pm	DRWN: CWEI02	2021/03/24			
2 PLACES \pm	CHK'D: YCHENG	2021/03/24			
1 PLACE \pm	APPR: YCHENG	2021/03/24			
0 PLACES \pm	INITIAL REVISION:	2008/12/16	2008/12/17	DOCUMENT NUMBER	
DRAFT WHERE APPLICABLE MUST REMAIN WITHIN DIMENSIONS		THIRD ANGLE PROJECTION	DRAWING	SERIES	<p>SD-89761-341</p> <p>PSD 001 A12</p>
			C-SIZE	89761	<p>MATERIAL NUMBER</p> <p>SEE TABLE</p>
					<p>CUSTOMER</p> <p>GENERAL MARKET</p>
					<p>SHEET NUMBER</p> <p>1 OF 1</p>

DOCUMENT STATUS	P1	RELEASE DATE	2021/03/24	02:24:54
12	11	10	9	8