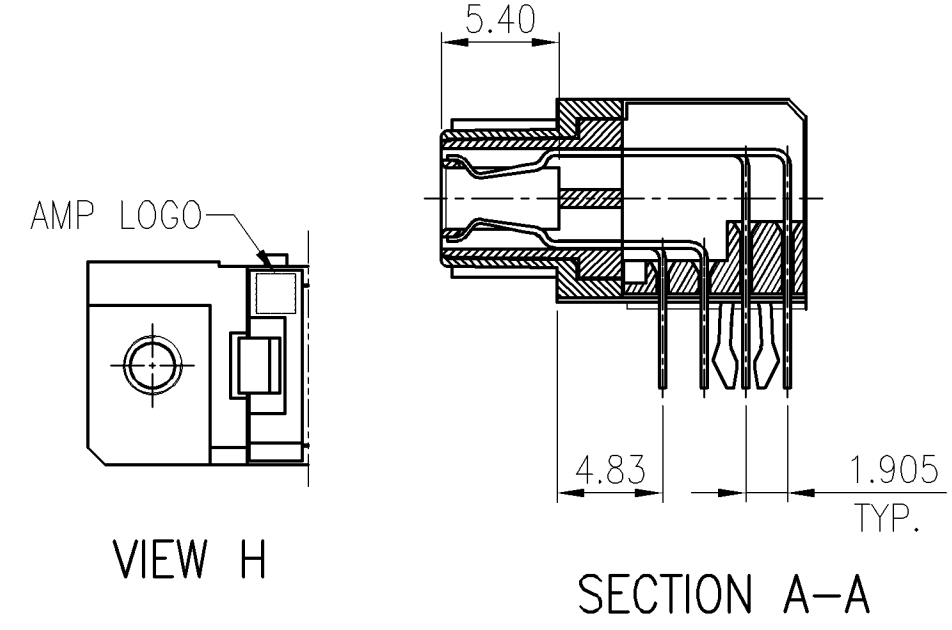
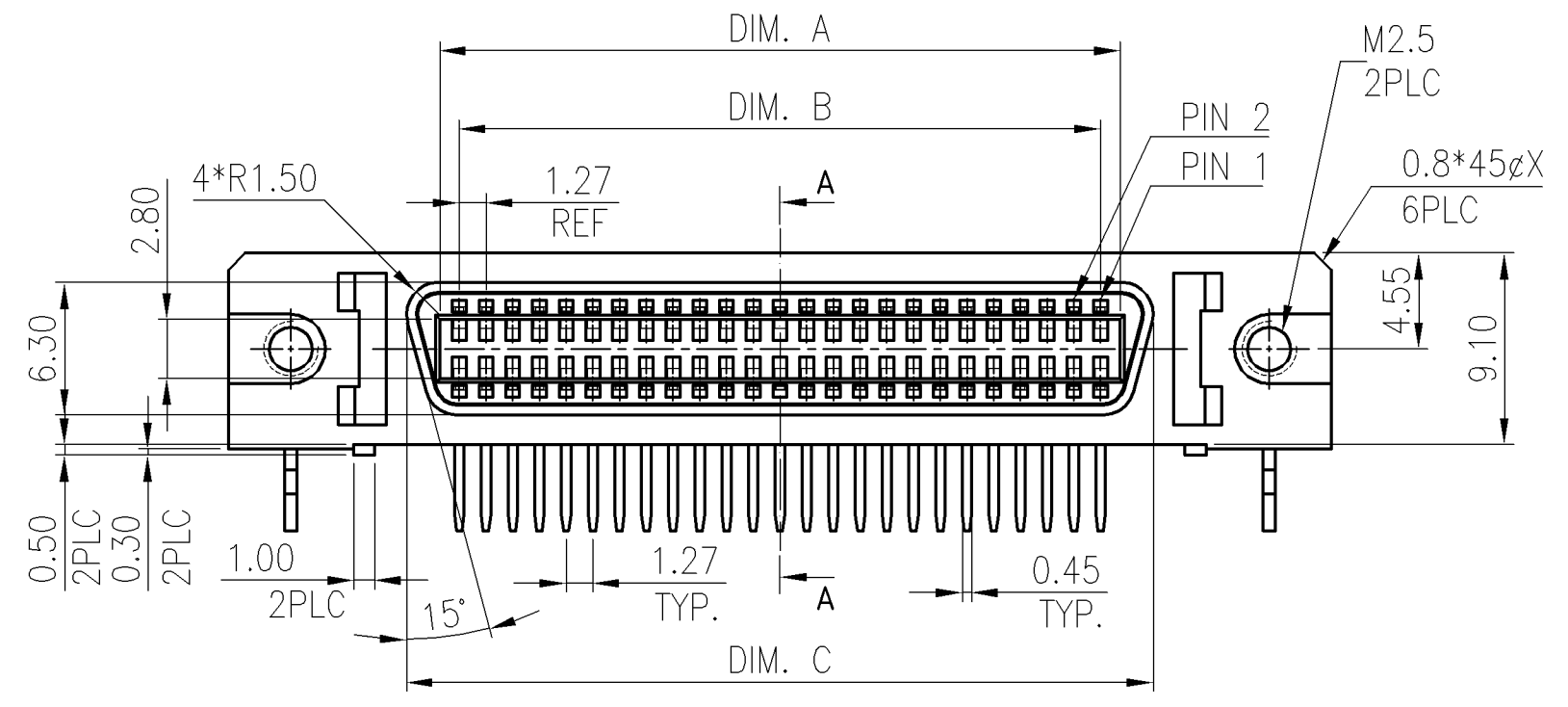
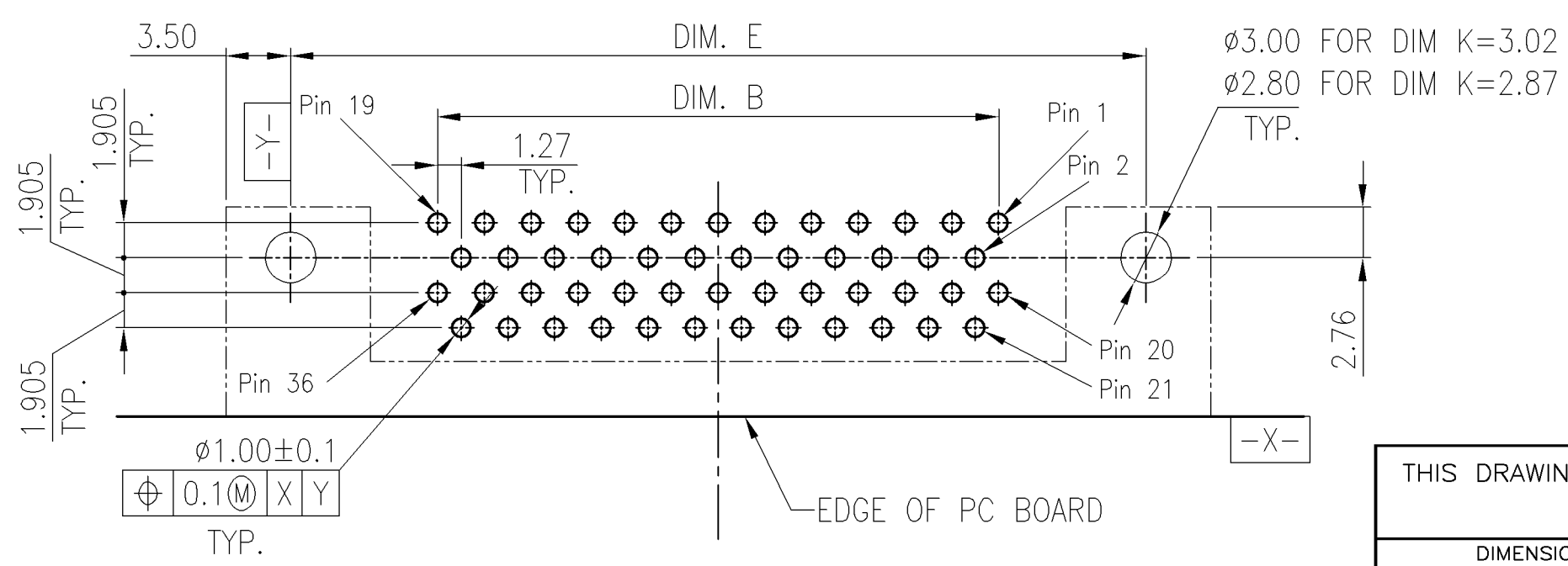
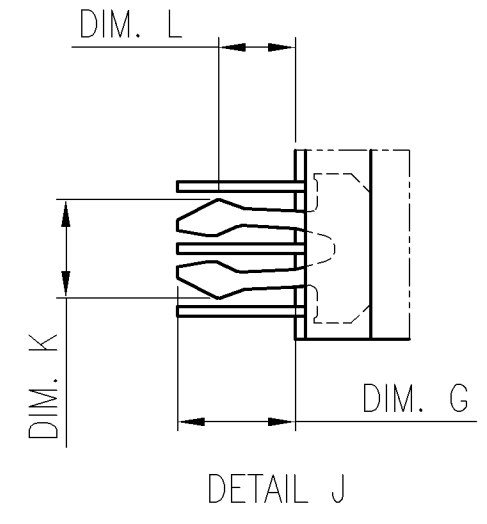
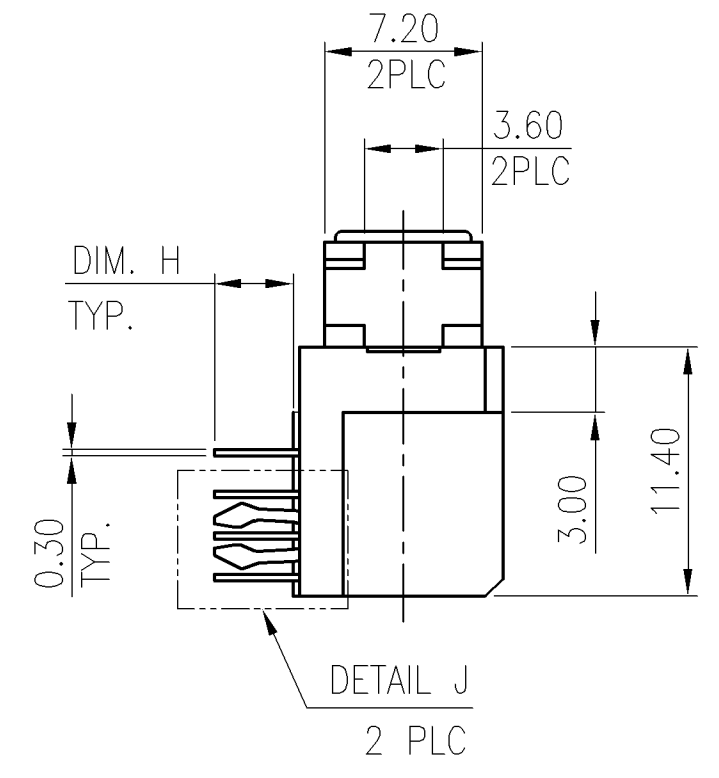
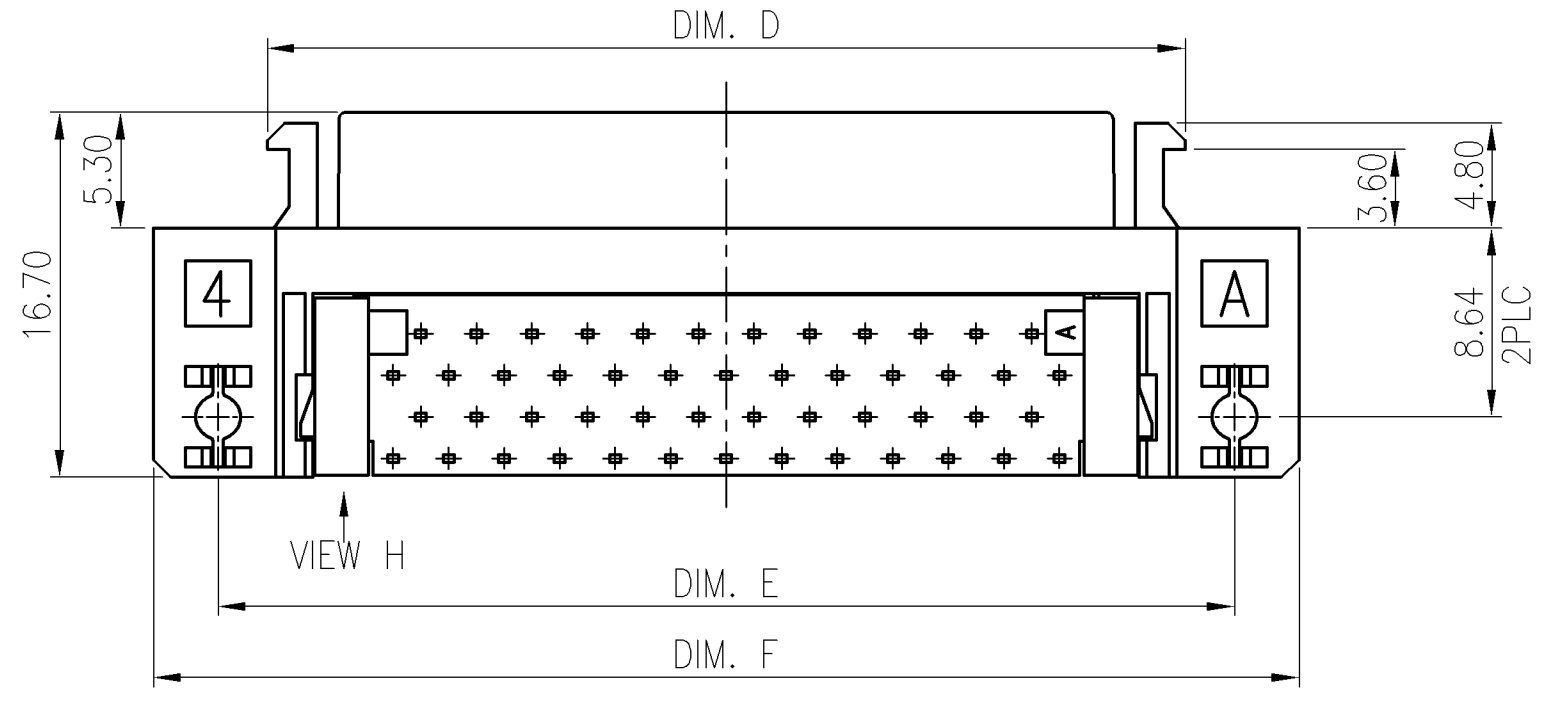


THIS DRAWING IS UNPUBLISHED. RELEASED FOR PUBLICATION  
 © COPYRIGHT BY TYCO ELECTRONICS CORPORATION. ALL RIGHTS RESERVED.

LOC		DIST		REVISIONS					
DW				P	LTR	DESCRIPTION	DATE	DWN	APVD
				A2		REVISED (ECR-09-020360)	14SEP09	JL	WK



- NOTES:
- MATERIAL:
    - HOUSING: THERMOPLASTIC (LCP), UL94V-0; COLOR: BLACK.
    - SPACER: THERMOPLASTIC (LCP), UL94V-0; COLOR: BLACK.
    - CONTACTS: PHOSPHOR BRONZE
    - SHELL: ZINC ALLOY
    - BOARD LOCK: PHOSPHOR BRONZE
  - FINISH:
    - CONTACT:
      - 0.762μm (30μ") GOLD PLATING ON CONTACT AREA.
      - 2.54μm (100μ") MIN. BRIGHT-TIN PLATING ON SOLDER TAIL AREA, 1.27μm (50μ") MIN. NICKEL UNDERPLATING OVERALL,
    - BOARD LOCK:
      - 2.54μm (100μ") MIN. BRIGHT-TIN PLATING ON SOLDER TAIL AREA, 1.27μm (50μ") MIN. NICKEL UNDERPLATING OVERALL,
  - NET WEIGHT: 14POS.=8gram; 26POS.=9gram; 36POS.=10gram.
  - WAVE SOLDER CAPABLE TO 265°C PER TE SPEC. 109-202, CONDITION B.



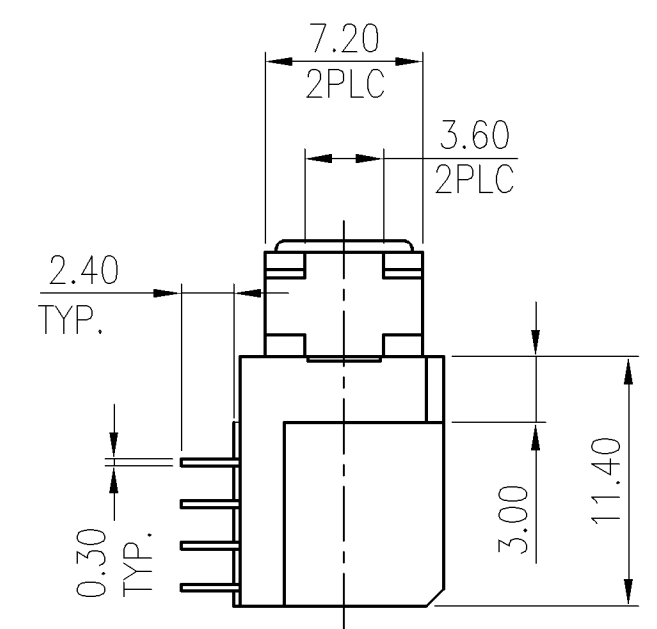
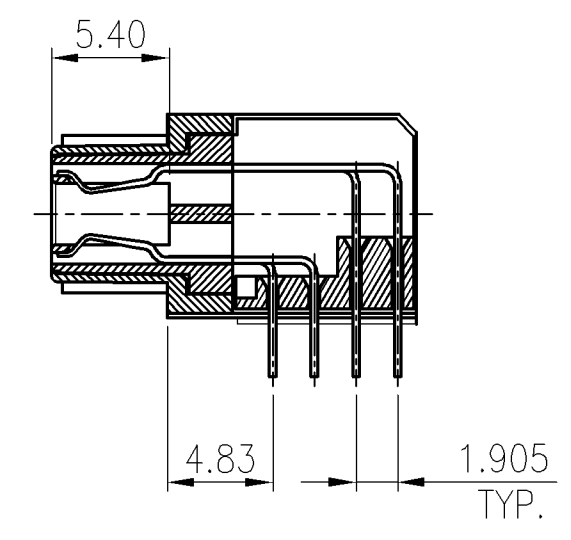
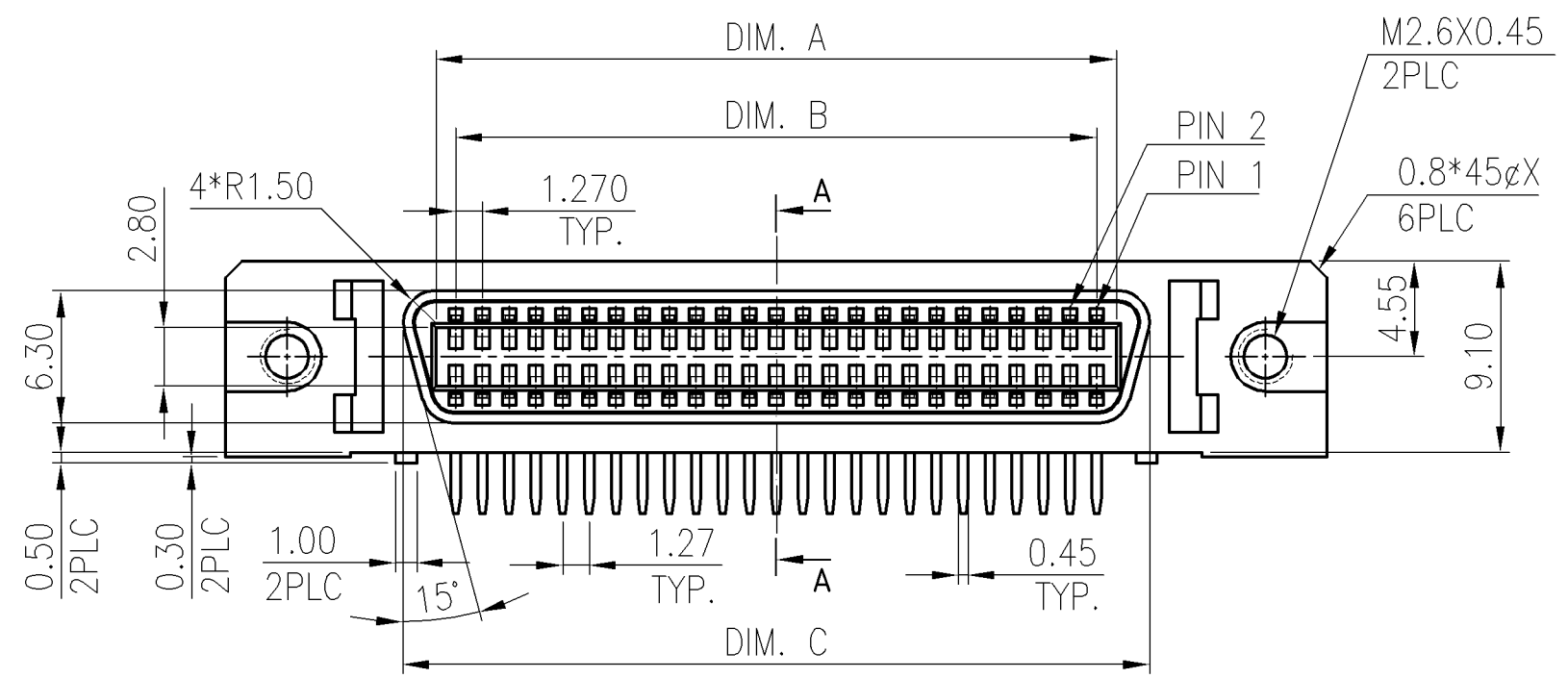
AVAILABLE	T&R	1.60	2.87	2.80	3.80	43.51	37.61	33.11	26.61	21.59	23.46	36	4-1734586-3
AVAILABLE	T&R	2.35	3.02	2.80	3.80	37.16	31.26	26.76	20.26	15.24	17.11	26	4-1734586-2
AVAILABLE	T&R	0.70	3.02	2.40	2.40	29.54	23.64	19.14	12.64	7.62	9.49	14	4-1734586-1
NOT AVAILABLE	TRAY					43.51	37.61	33.11	26.61	21.59	23.46	36	1-1734586-3
TOOLING STATUS	PKG. TYPE	DIM L	DIM K	DIM H	DIM G	DIM F	DIM E	DIM D	DIM C	DIM B	DIM A	NO. OF CONTACTS	PART NUMBER

THIS DRAWING IS A CONTROLLED DOCUMENT.

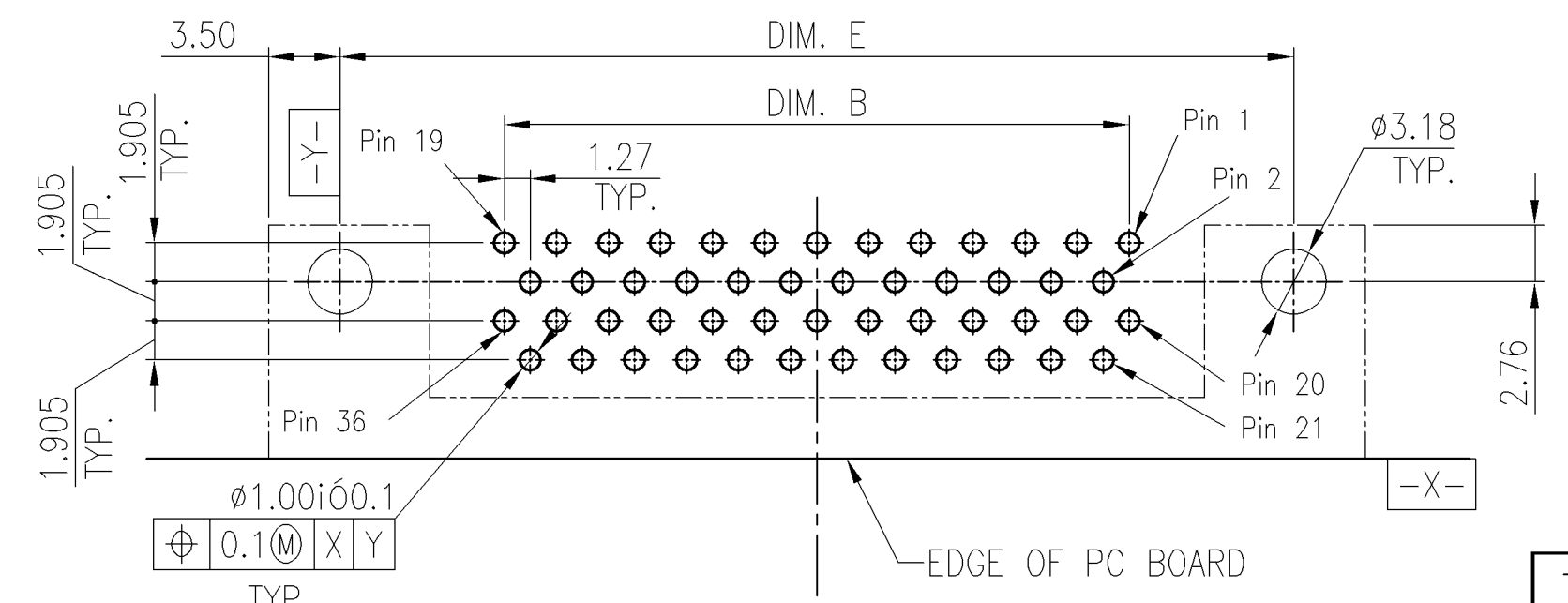
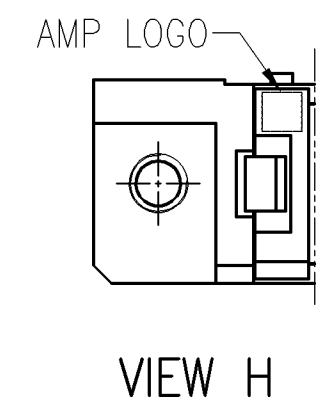
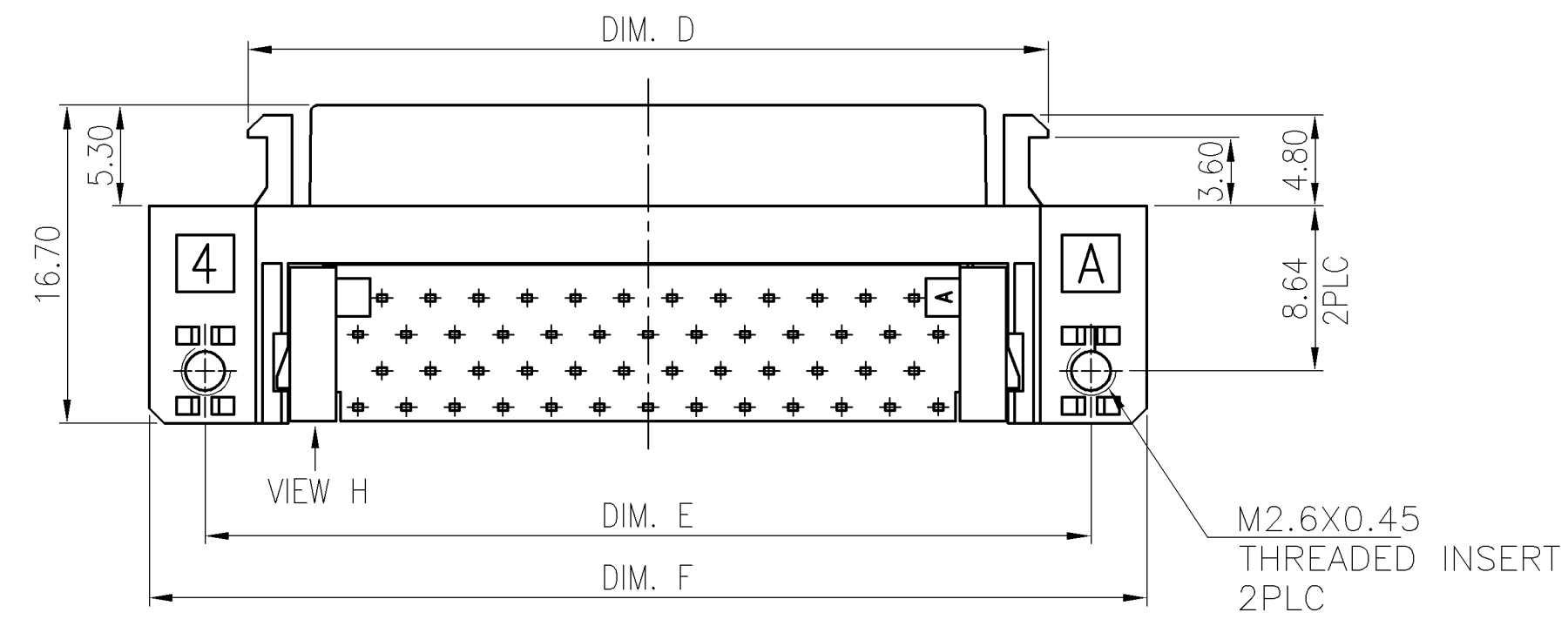
DWN H. HUANG 12SEP2007	Tyco Electronics Corporation Taipei, Taiwan
CHK S. HOU 12SEP2007	
APVD W.J. KE 12SEP2007	
PRODUCT SPEC	
108-57642	NAME
QUALIFICATION TEST REPORT	CHAMP .050 SERIES, RIGHT ANGLE THRU-HOLE
501-57748	SIZE
WEIGHT	CAGE CODE
CUSTOMER DRAWING	DRAWING NO
	RESTRICTED TO
	A300779
	G=1734586
	SCALE
	SHEET
	1 OF 4
	REV
	A2

THIS DRAWING IS UNPUBLISHED. RELEASED FOR PUBLICATION  
 © COPYRIGHT BY TYCO ELECTRONICS CORPORATION. ALL RIGHTS RESERVED.

LOC		DIST		REVISIONS					
DW				P	LTR	DESCRIPTION	DATE	DWN	APVD
						SEE SHEET 1.			



SECTION A-A



RECOMMENDED PCB LAYOUT

NOT AVAILABLE	TRAY	37.16	31.26	26.76	20.26	15.24	17.11	26	2-1734586-2
TOOLING STATUS	PKG. TYPE	29.54	23.64	19.14	12.64	7.62	9.49	14	2-1734586-1
		DIM F	DIM E	DIM D	DIM C	DIM B	DIM A	NO. OF CONTACTS	PART NUMBER

THIS DRAWING IS A CONTROLLED DOCUMENT.		DWN H. HUANG 12SEP2007	Tyco Electronics Corporation Tyco Electronics Taipei, Taiwan	
DIMENSIONS: MM		CHK S. HOU 12SEP2007	NAME	
TOLERANCES UNLESS OTHERWISE SPECIFIED:		APVD W.J. KE 12SEP2007	CHAMP .050 SERIES, RIGHT ANGLE THRU-HOLE	
0 PLC ± - 1 PLC ± 0.35 2 PLC ± 0.25 3 PLC ± - 4 PLC ± - ANGLES ± -		PRODUCT SPEC	QUALIFICATION TEST REPORT	
MATERIAL SEE NOTE		FINISH SEE NOTE	SIZE A3	CAGE CODE 00779
		WEIGHT	DRAWING NO C=1734586	RESTRICTED TO -
		CUSTOMER DRAWING	SCALE -	SHEET 2 OF 4 REV A2

THIS DRAWING IS UNPUBLISHED.

RELEASED FOR PUBLICATION

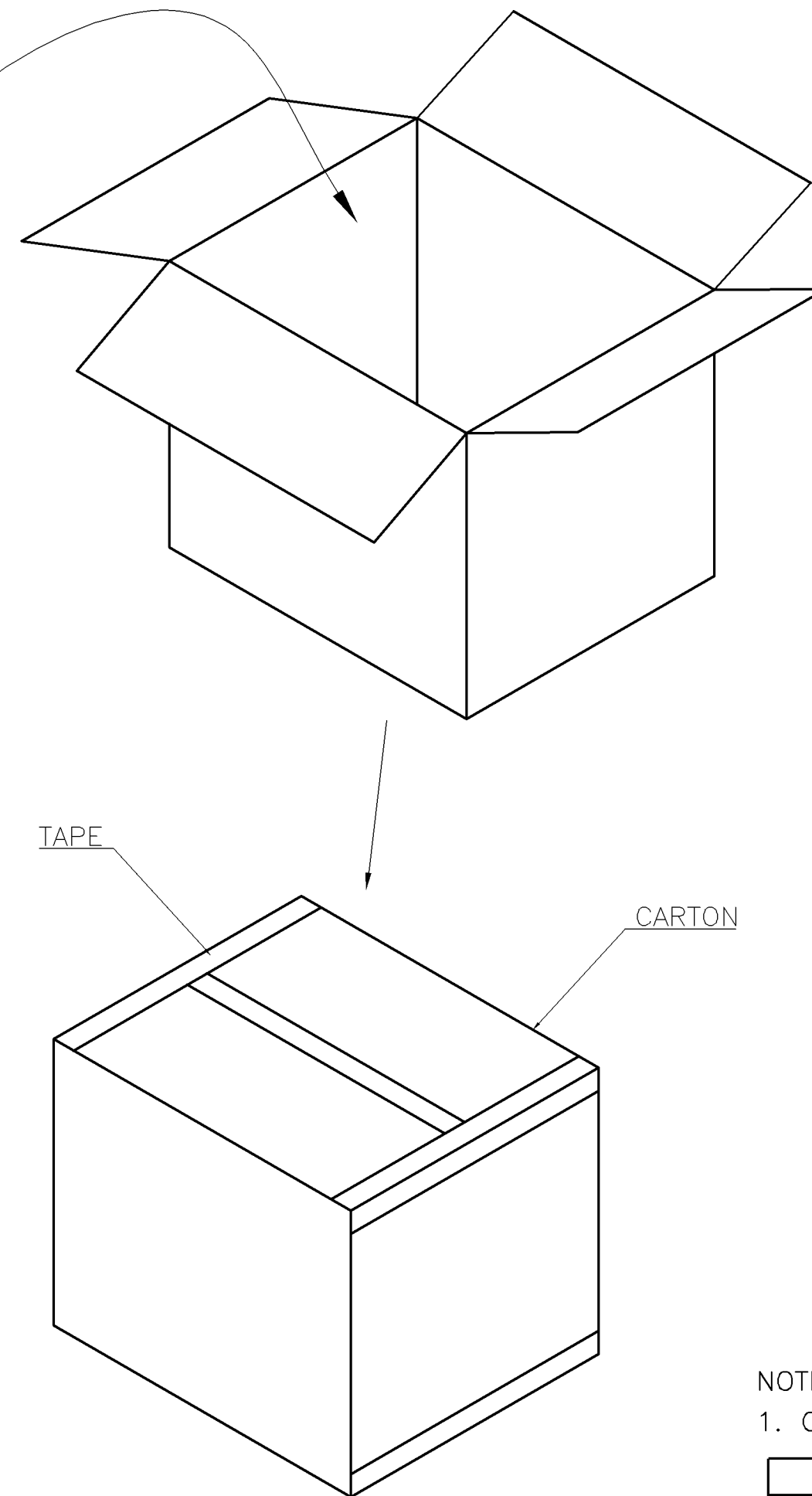
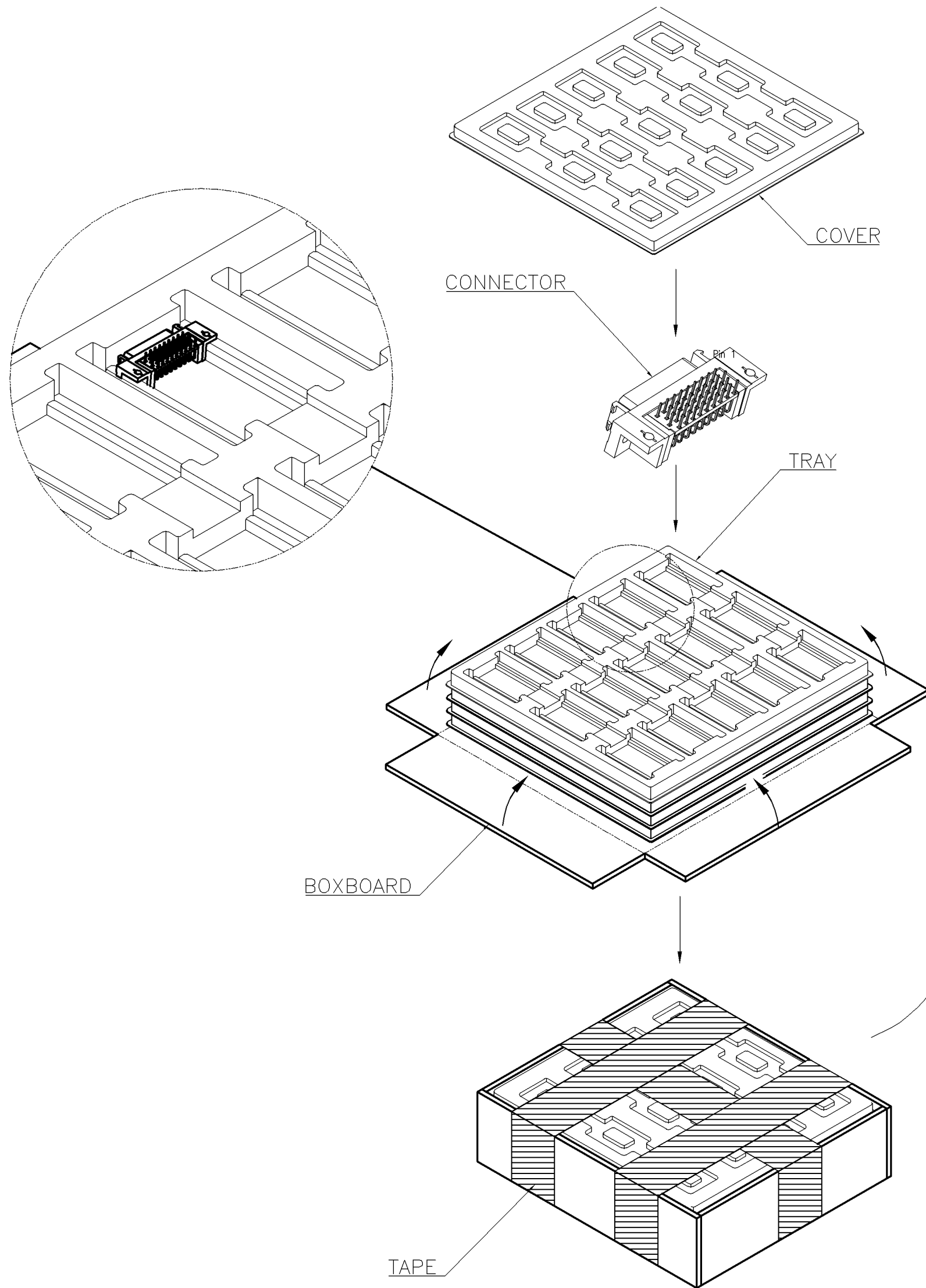
© COPYRIGHT BY TYCO ELECTRONICS CORPORATION. ALL RIGHTS RESERVED.

LOC DW

DIST —

REVISIONS

P	LTR	DESCRIPTION	DATE	DWN	APVD
		SEE SHEET 1.			



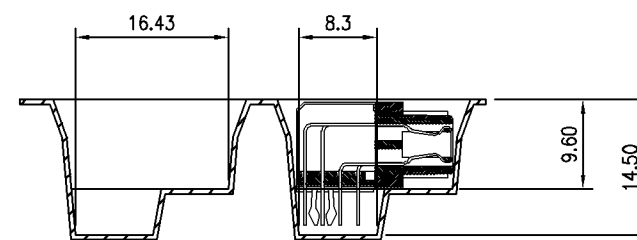
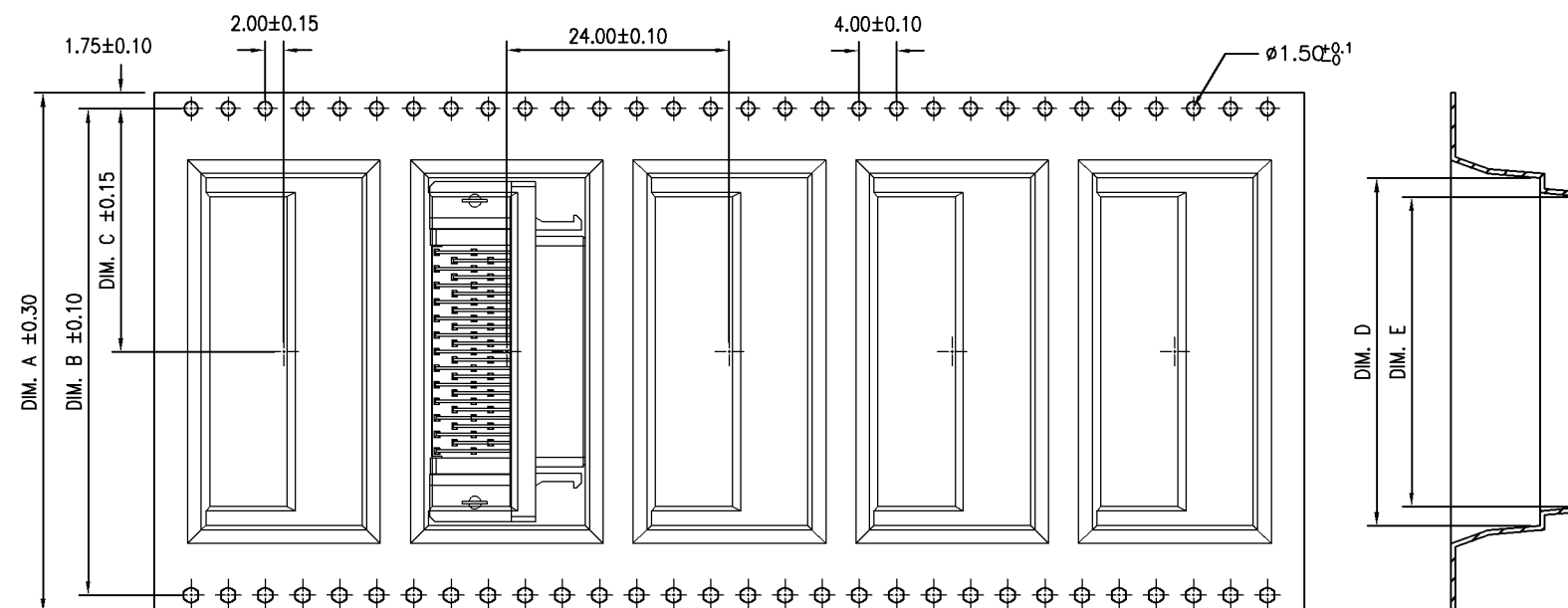
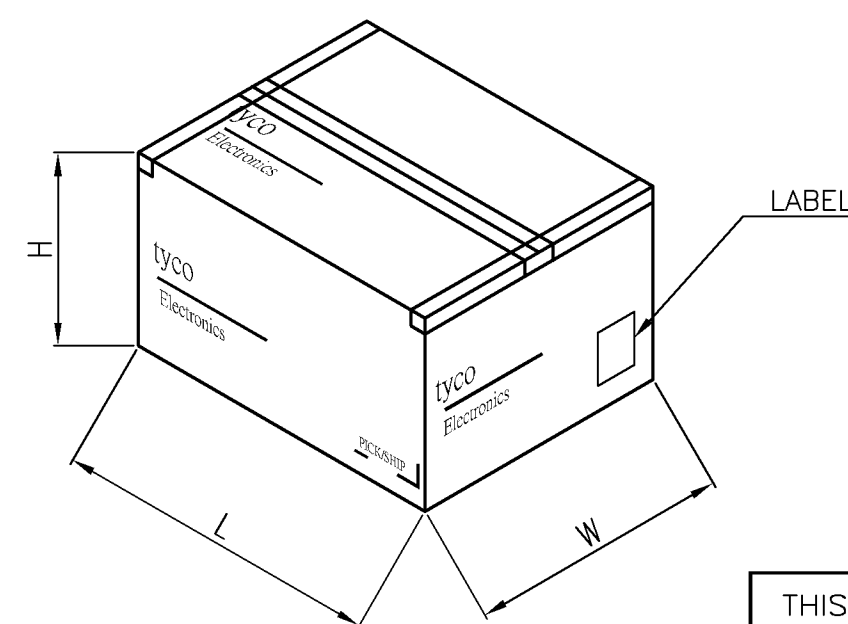
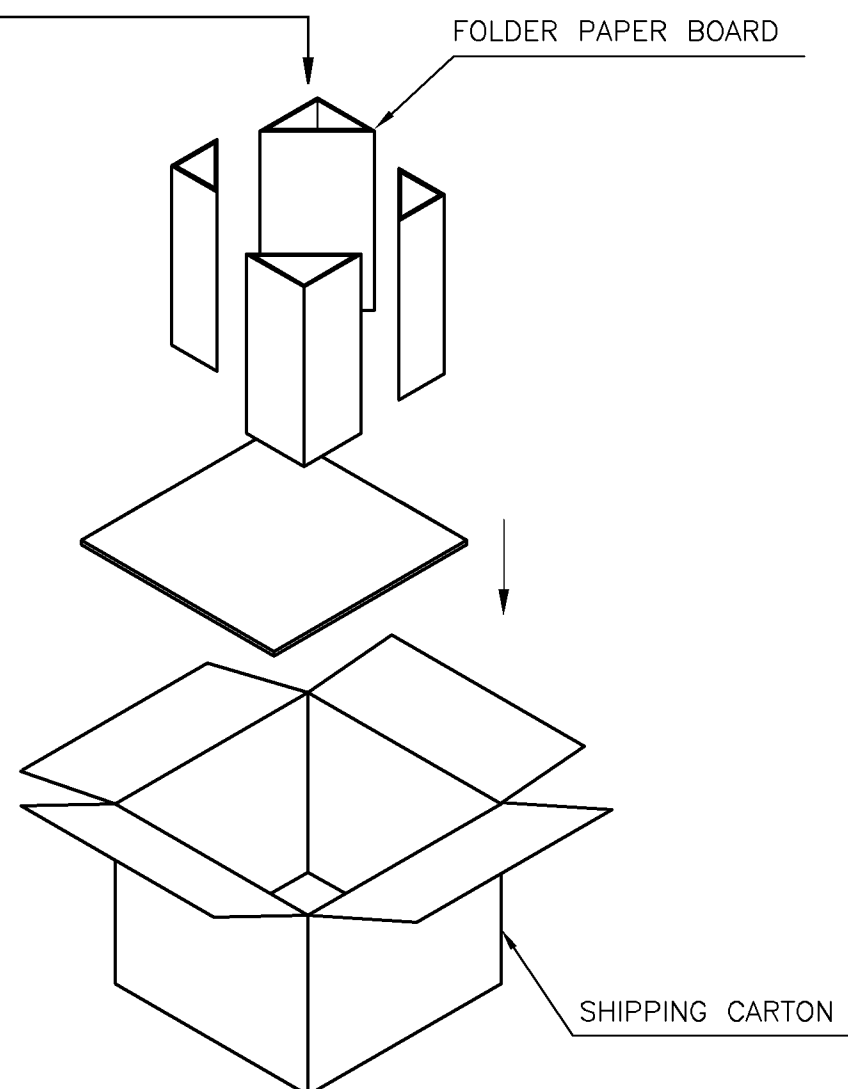
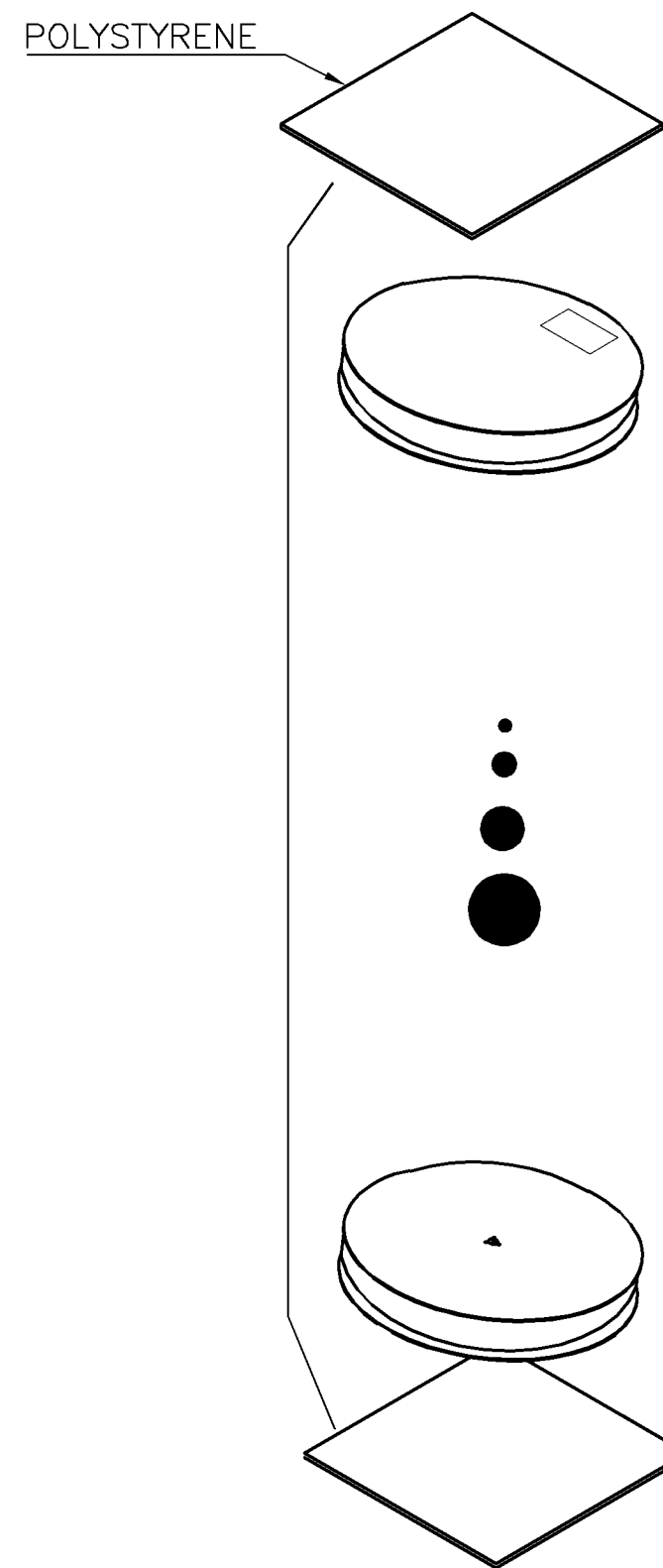
NOTE:  
1. CARTON DIMENSIONS: 370 X 310 X 200.

PCS/BOXBOARD	BOXBOARDS/CARTON	QUANTITY	NO. OF CONTACTS
300	2 PCS	600	26
360	2 PCS	720	14

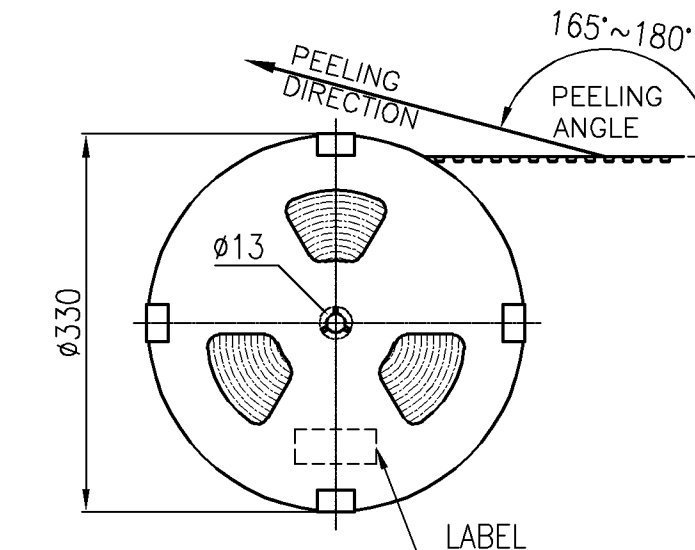
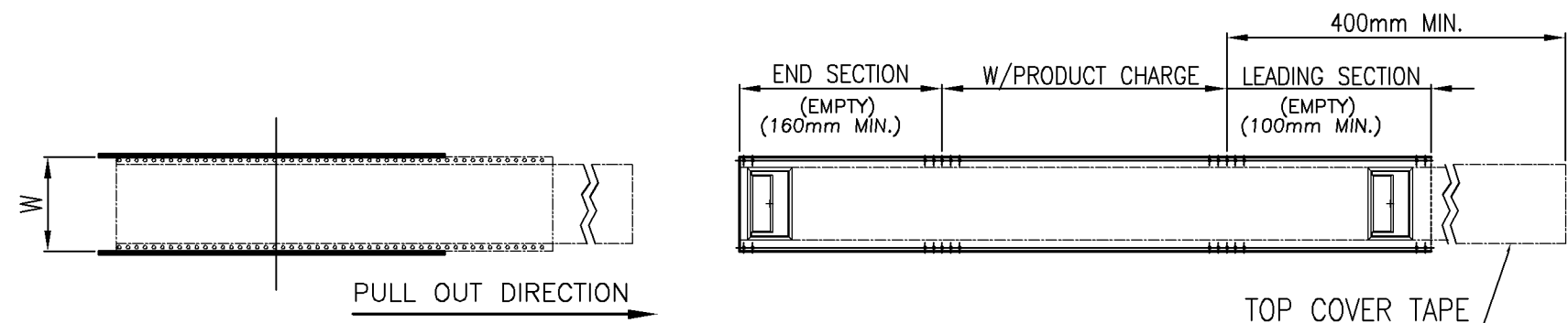
THIS DRAWING IS A CONTROLLED DOCUMENT.		DWN H. HUANG 12SEP2007	Tyco Electronics Corporation Taipei, Taiwan													
DIMENSIONS: MM		CHK S. HOU 12SEP2007														
TOLERANCES UNLESS OTHERWISE SPECIFIED:		APVD W.J. KE 12SEP2007	NAME <b>CHAMP .050 SERIES, RIGHT ANGLE THRU-HOLE</b>													
<table border="1"> <tr><td>0 PLC</td><td>± -</td></tr> <tr><td>1 PLC</td><td>± -</td></tr> <tr><td>2 PLC</td><td>± -</td></tr> <tr><td>3 PLC</td><td>± -</td></tr> <tr><td>4 PLC</td><td>± -</td></tr> <tr><td>ANGLES</td><td>± -</td></tr> </table>		0 PLC	± -	1 PLC	± -	2 PLC	± -	3 PLC	± -	4 PLC	± -	ANGLES	± -	PRODUCT SPEC	SIZE A3	
0 PLC	± -															
1 PLC	± -															
2 PLC	± -															
3 PLC	± -															
4 PLC	± -															
ANGLES	± -															
MATERIAL		APPLICATION SPEC	CAGE CODE 00779	DRAWING NO C=1734586												
FINISH		WEIGHT -	RESTRICTED TO -													
CUSTOMER DRAWING			SCALE -	SHEET 3 OF 4												
			REV A2													

THIS DRAWING IS UNPUBLISHED. RELEASED FOR PUBLICATION  
 © COPYRIGHT BY TYCO ELECTRONICS CORPORATION. ALL RIGHTS RESERVED.

LOC DW	DIST —	REVISIONS		
P	LTR	DESCRIPTION	DATE	DWN APVD
		SEE SHEET 1.		



- NOTES:
- MATERIAL :
    - EMBOSSED CARRIER: PS
    - COVER TAPE: PS
    - SHIPPING CARTON: CORRUGATED FIBER
  - SHIPPING CARTON: L=350, W=350, H=340
  - PEELING RESISTANCE: 10.2gf~71.4gf.
  - PEELING SPEED: 300mm/minutes.



39.8	43.81	34.20	68.40	72	100	4	400	36
33.4	37.46	26.25	52.50	56	100	5	500	26
25.8	29.84	26.25	52.50	56	100	6	600	14
DIM.E	DIM.D	DIM.C	DIM.B	DIM.A	PCS/REEL	REEL / CARTON	QUANTITY/ CARTON	NO. OF CONTACTS

THIS DRAWING IS A CONTROLLED DOCUMENT.

DWN H. HUANG 12SEP2007  
 CHK S. HOU 12SEP2007  
 APVD W.J. KE 12SEP2007

Tyco Electronics Corporation  
 Taipei, Taiwan

NAME: CHAMP .050 SERIES, RIGHT ANGLE THRU-HOLE

SIZE: A3 CAGE CODE: 00779 DRAWING NO: C=1734586 RESTRICTED TO: —

MATERIAL: — FINISH: — WEIGHT: —

CUSTOMER DRAWING SCALE: — SHEET: 4 OF 4 REV: A2