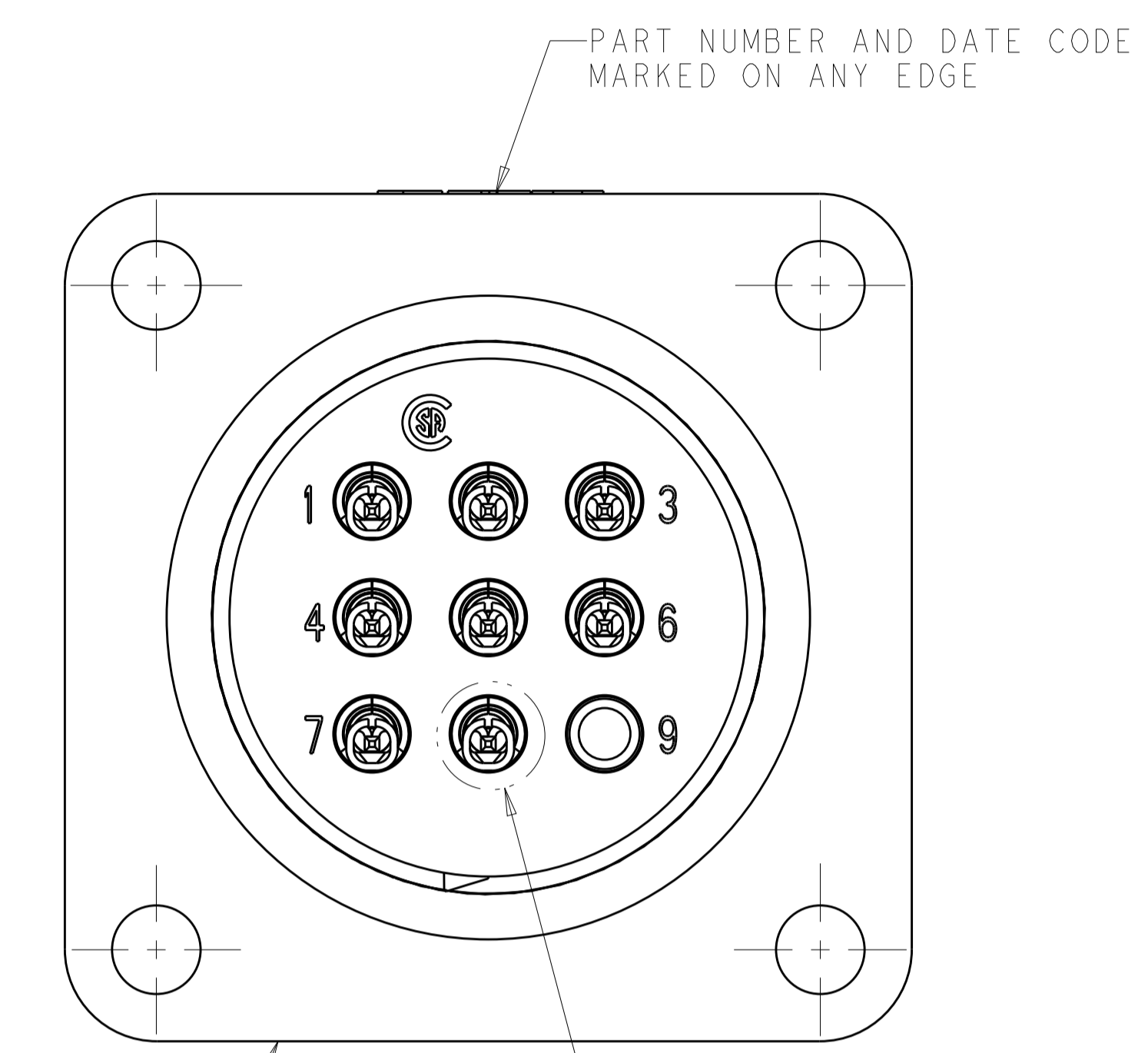
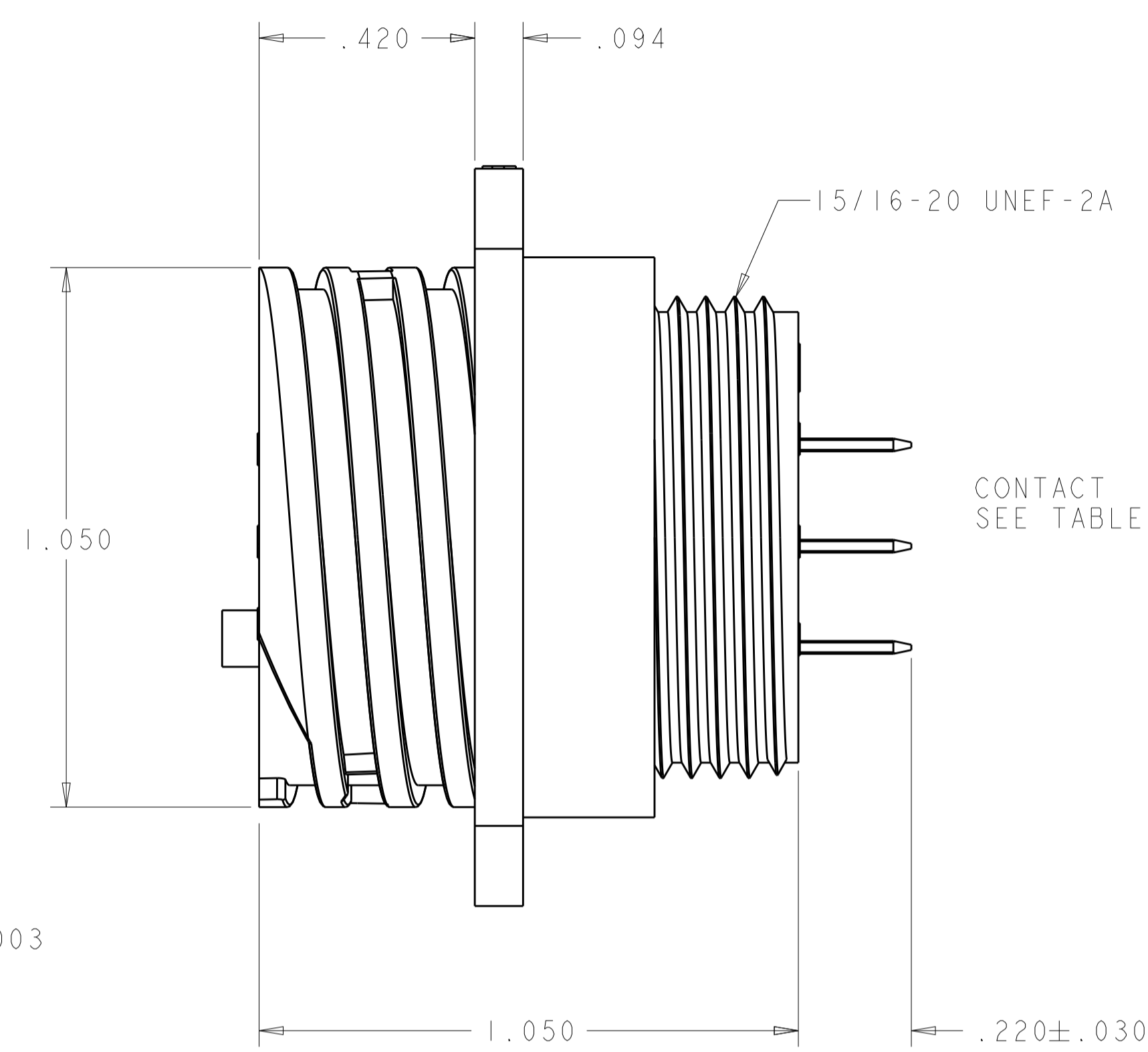
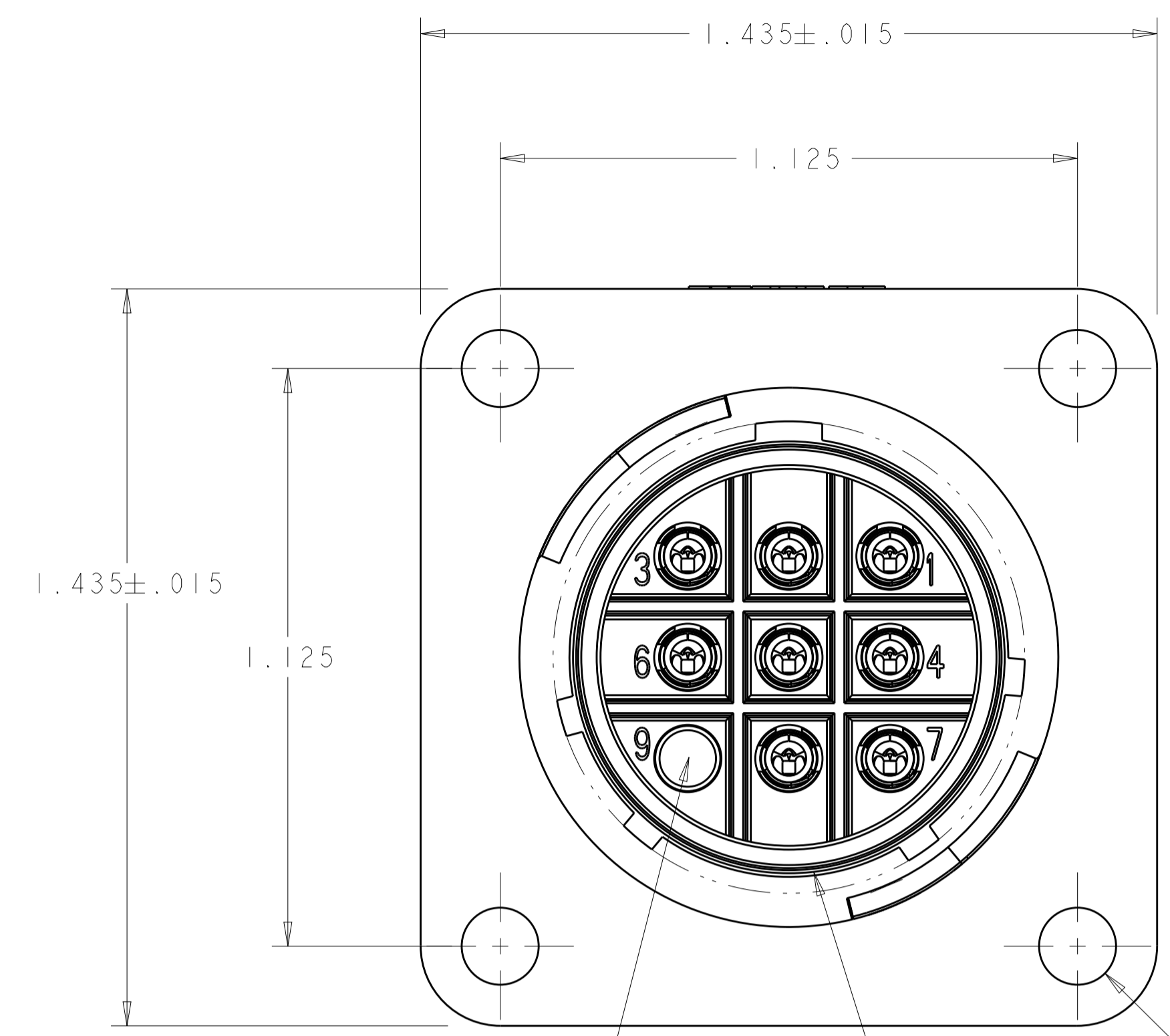
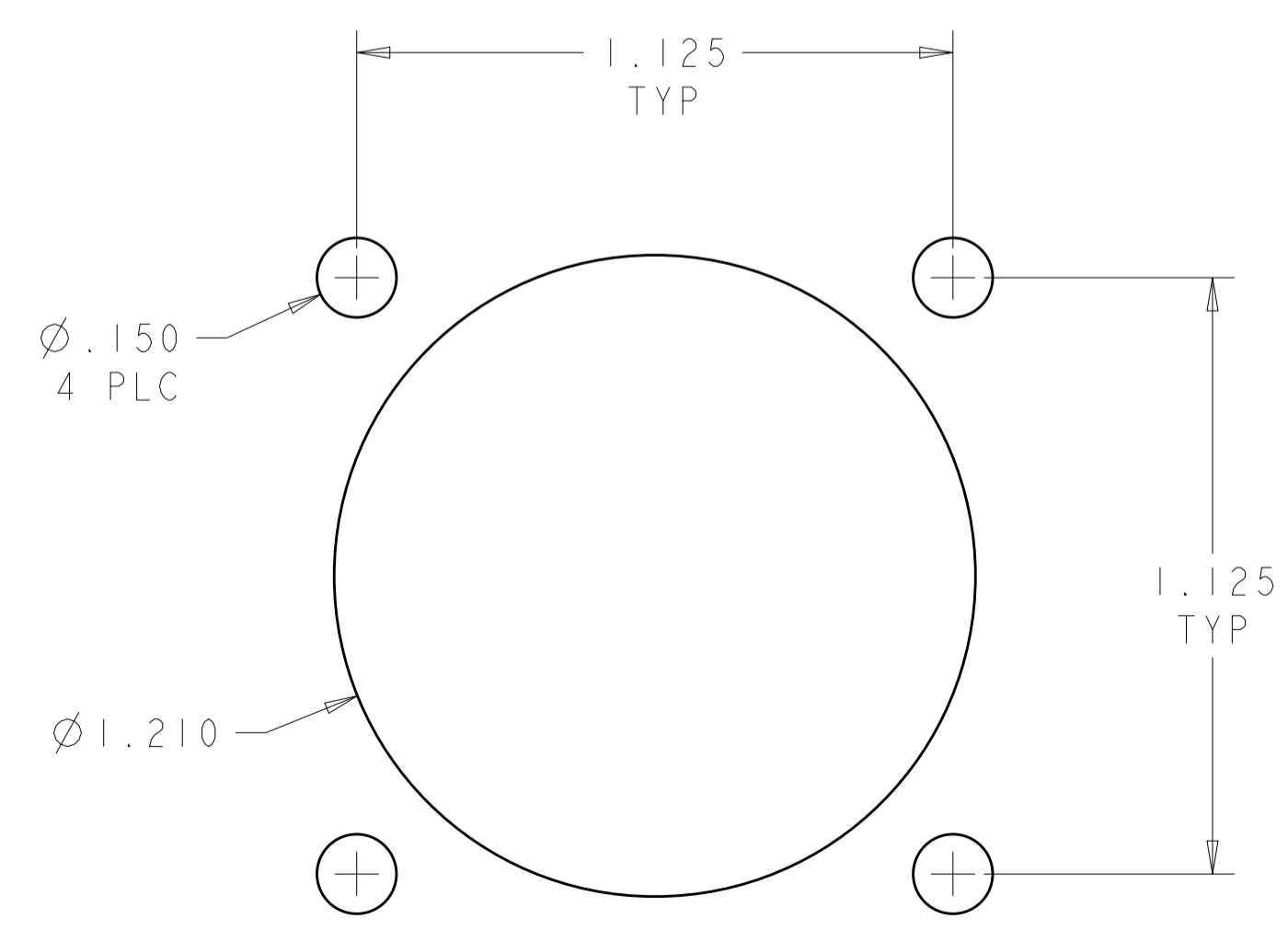
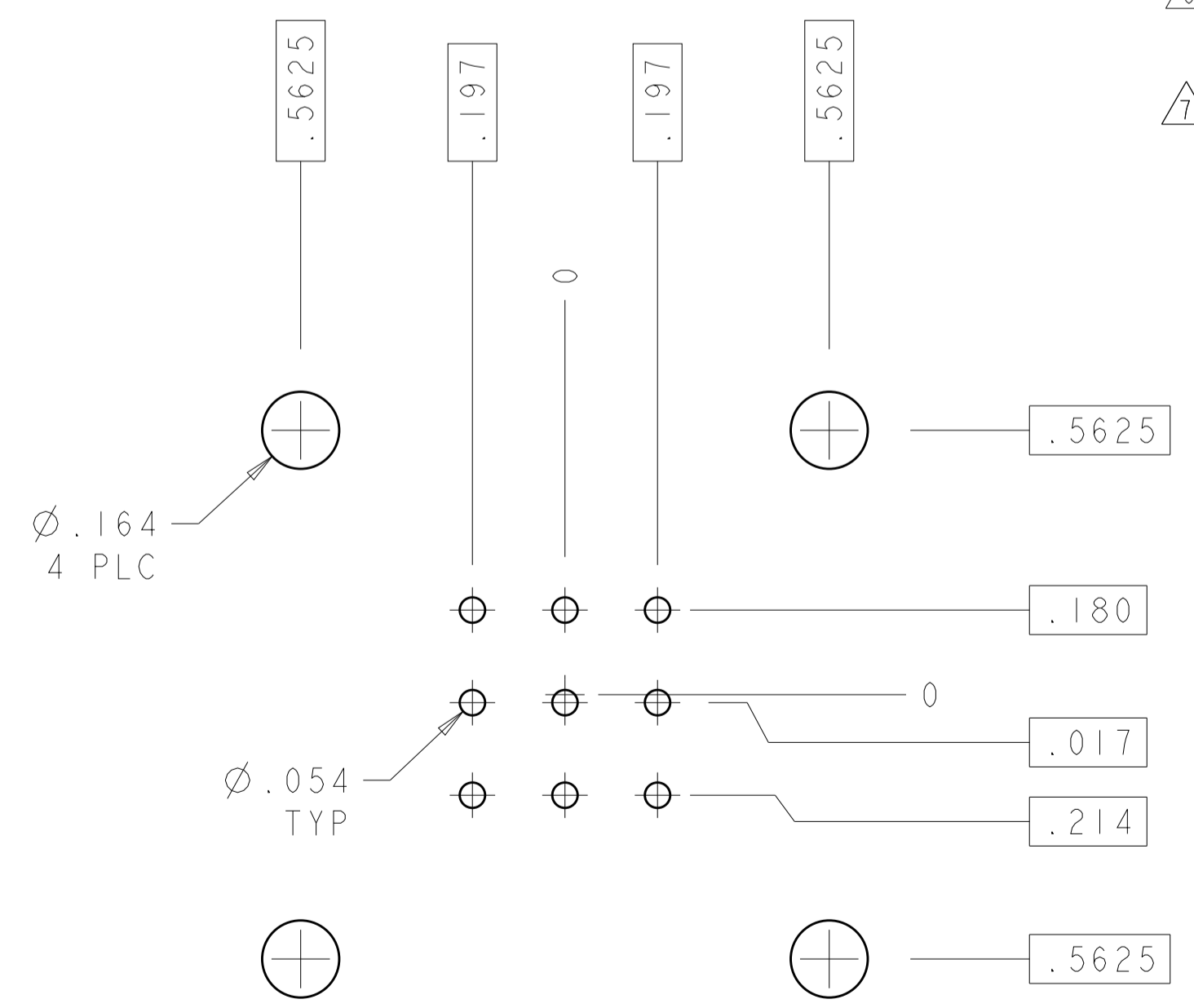
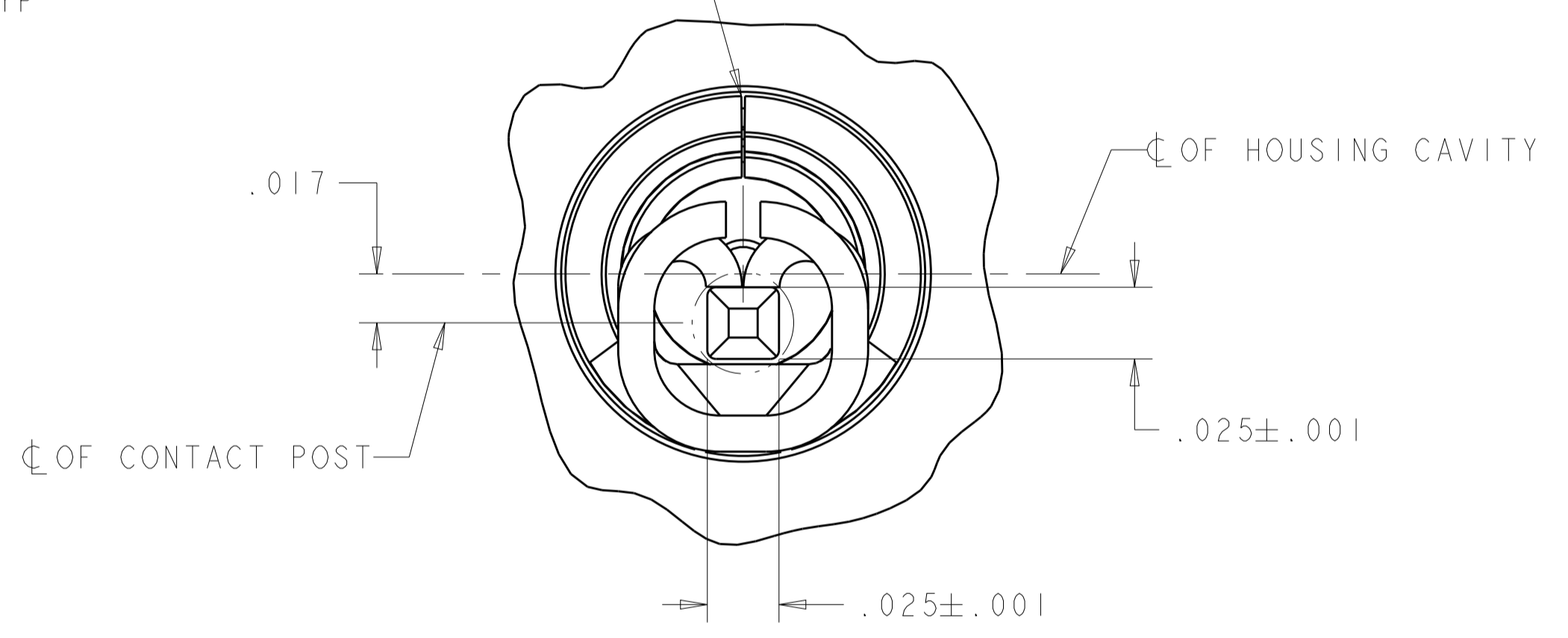


REVISIONS					
P	LTN	DESCRIPTION	DATE	DWN	APVD
P		ADDED 1-2, 1-3 ECO-06-002610	15FEB2006	SW	SH
P1		REVISED PER ECO-09-025699	12DEC2009	KK	AEG
R		REVISED PER ECO-19-011232	07AUG2019	RS	MZ



KEYING PLUG SEE TABLE
 PERIPHERAL SEAL
 Ø .150±.003
 4 PLC

- △ HOUSING: NYLON, UL 94 V-0 RATED, BLACK.
- △ CONTACT:
 BODY - BRASS, .000100 MIN TIN-LEAD OVER .000050 MIN NICKEL.
 POST - BRASS, .000100 MIN TIN-LEAD OVER .000050 MIN NICKEL.
- △ CONTACT:
 BODY - BRASS, .000100 MIN TIN OVER .000050 MIN NICKEL.
 POST - BRASS, .000100 MIN TIN OVER .000050 MIN NICKEL.
- △ PERIPHERAL SEAL: ELASTOMER, BLACK.
- △ KEYING PLUG: NYLON, NATURAL.
- △ .009 MAXIMUM CONTACT LEAD-IN SEAM GAP PERMISSIBLE ON MATING FACE END.
- △ OBSOLETE PARTS: OBSOLETE CIS STREAMLINING PER D.RENAUD/D.SINISI



△	POSN 9	YES	△	8	1-8	1-213826-3
△	-	YES	△	8	1-5, 7-9	1-213826-2
△	-	YES	△	9	ALL	1-213826-1
△	POSN 9	YES	△	8	1-8	1-213826-0
△	-	YES	△	8	1-5, 7-9	213826-9
△	POSN 9	YES	△	8	1-8	213826-8
△	-	YES	△	8	1-5, 7-9	213826-7
△	POSN 9	YES	△	8	1-8	213826-3
△	-	YES	△	8	1-5, 7-9	213826-2
△	-	YES	△	9	ALL	213826-1
	KEYING PLUG					
	PERIPHERAL SEAL					
			FINISH	QTY	SELECT LOAD IN POSITIONS	PART NUMBER

RECOMMENDED PC BOARD LAYOUT
 SCALE 3:1

RECOMMENDED PANEL LAYOUT
 .125 MAX PANEL THICKNESS
 SCALE 3:1

THIS DRAWING IS A CONTROLLED DOCUMENT.

DIMENSIONS: INCHES

TOLERANCES UNLESS OTHERWISE SPECIFIED:

0 PLC	±	
1 PLC	±0.0	
2 PLC	±0.010	
3 PLC	±0.010	
4 PLC	±0.010	
ANGLES	±0.0000	

MATERIAL: - FINISH: -

THIS DRAWING IS A CONTROLLED DOCUMENT.

DWN: S.WELDON 23MAY2003
 CHK: S.HEADER 23MAY2003
 APVD: S.HEADER 23MAY2003

NAME: RECEPTACLE ASSEMBLY, POSTED, REVERSE SEX, SERIES 1, 17-9, CPC

PRODUCT SPEC: 108-10024
 APPLICATION SPEC: 114-10004

SIZE: 114-10004
 WEIGHT: -

CUSTOMER DRAWING

SCALE: 4:1 SHEET: 1 OF 1 REV: R