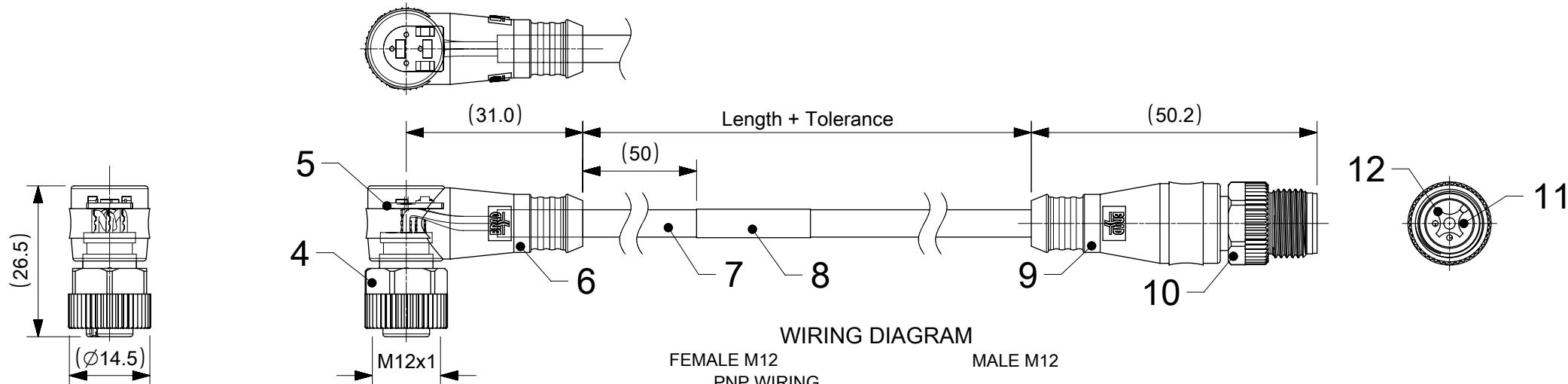
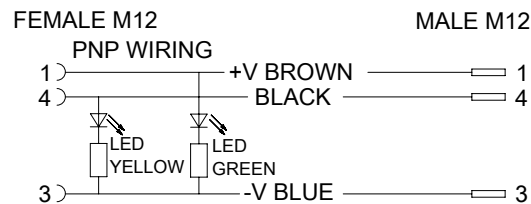


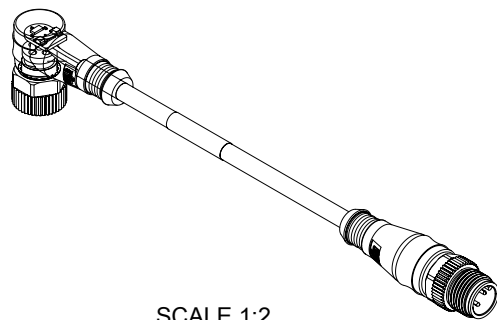
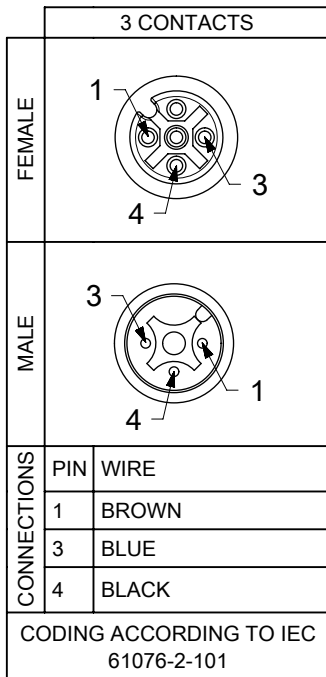
# FEMALE PNP PLUG M12 90° ANGLED TO MALE PLUG M12 STRAIGHT



## WIRING DIAGRAM



## CONTACTS POSITION FRONT VIEW:



**NOTES:**  
 CURRENT RATING: 4A  
 VOLTAGE RATING: 10 - 30 VDC  
 PROTECTION CLASS: IP 67  
 TEMPERATURE: -25°C / +85°C

## FOR OPTIONS SEE - NUMERICAL CODE - ON SHEET 2

ITEM	QTY.	DESCRIPTION	MATERIAL	FINISH
12	1	INSERT 3P MALE BLACK	TPU	---
11	3	CONTACT M12 MALE	BRASS	SELECTIVE GOLD OVER NICKEL
10	1	COUPLING NUT MALE SW13	BRASS	NICKEL
9	-	OVERMOULDING BLACK	TPU	---
8	1	LABEL YELLOW	VINYL	---
7	-	CABLE	SEE SHEET 2	---
6	-	OVERMOULDING TRANSPARENT	TPU	---
5	1	PCB PNP	---	---
4	1	COUPLING NUT FEMALE SW13	BRASS	NICKEL
3	1	ORING RED	FPM	---
2	1	INSERT 3P FEMALE BLACK	PUR	---
1	3	CONTACT M12 FEMALE	BRASS	SELECTIVE GOLD OVER NICKEL
		ITEM QTY. DESCRIPTION	MATERIAL	FINISH

THIS DRAWING CONTAINS INFORMATION THAT IS PROPRIETARY TO MOLEX ELECTRONIC TECHNOLOGIES, LLC AND SHOULD NOT BE USED WITHOUT WRITTEN PERMISSION

QUALITY SYMBOLS	EC NO: 108986 DRWN: JMARSZALEK CHK'D: APPR: RSILLER REV: A	2016/10/03 2016/10/04 GENERAL TOLERANCES (UNLESS SPECIFIED) ANGULAR TOL ± 1.0 ° 4 PLACES ± 3 PLACES ± 2 PLACES ± 0.05 1 PLACE ± 0.3 0 PLACES ± 0.5 DRAFT WHERE APPLICABLE MUST REMAIN WITHIN DIMENSIONS	DIMENSION UNITS: MM SCALE: 1:1 DRWN BY: JMARSZALEK DATE: 2016/10/03 CHK'D BY: DATE: APPR BY: RSILLER DATE: 2016/10/04 DRAWING SIZE: A4 THIRD ANGLE PROJECTION		
CSE M12 PNP 3P AC FE RA WSOR MA STR XM					
PRODUCT CUSTOMER DRAWING					
SERIES: 120067		MATERIAL NUMBER: SEE SHEET 2		CUSTOMER: GENERAL MARKET	
DOCUMENT NUMBER: 1200678467			DOC TYPE: PSD	DOC PART: 000	SHEET NUMBER: 1 OF 2

ENGINEERING NO. - NUMERICAL CODE (Available parts see PART LIST table. Other parts available upon request).

OPTIONS

8 8 3 0 P 7 B X X M X X X X

88=M12x1  
Double ended  
Micro-Change

Contacts:  
3=3 Contacts

Heads style:  
0P7=Plug Female PNP 90°  
to Plug Male Straight

Cable type: See Table

Units:  
M=Meter

Length  
Examples:  
005=0.5 units  
010=1 units  
100=10 units

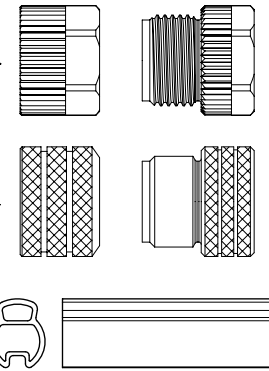
Overmold color:  
Blank (Standard)=Black  
Y=Yellow

Coupling Nut:  
Blank (Standard)=Knurled/Hex Brass, Ni Plated  
7=Knurled Brass Ni Plated, Teflon Coated

H= 2 pcs. of I/D Carrier PVC Transparent

COUPLING NUTS

FEMALE MALE



CABLE INFORMATION (for more information see Cable Data Sheet).

CABLE TYPE	NO. OF WIRES	CROSS SECTION	CABLE JACKET	UL	CSA	STATIC: TEMP. / BENDING RADIUS	DYNAMIC: TEMP. / BENDING RADIUS	DRAG CHAIN: TEMP. / BENDING RADIUS	DRAG CHAIN	CABLE PRODUCT SPECIFICATION	CABLE SPEC. DRAWING	OTHER INFORMATION
B30	3	0.34mm <sup>2</sup>	TPU Based, Black	UL 21215/758	C22.2 I/II A/B 80°/600V	-40°C to +90°C >5xO.D.	-25°C to +80°C >7.5xO.D.	-5°C to +60°C >7.5xO.D.	up to 5 000 000 cycles at temp 20°C	1552200001	SD-120209-001	WSOR

PART LIST

No.	Molex P/N	Engineering no.	Cable Length
1	1200678467	8830P7B30M010	1m
2	1200678468	8830P7B30M020	2m
3	1200678469	8830P7B30M030	3m
4	1200678470	8830P7B30M050	5m
5	1200678471	8830P7B30M100	10m
6			
7			
8			
9			
10			
11			
12			
13			
14			
15			
16			
17			
18			
19			
20			

CABLE LENGTH TOLERANCES

LENGTH	TOLERANCE	
shorter than 1m	+40 mm	0 mm
1m-5m	+60 mm	0 mm
5m-10m	+80 mm	0 mm
10m-20m	+140 mm	0 mm
20m-30m	+160 mm	0 mm
longer than 30m	+1% length	0 mm

THIS DRAWING CONTAINS INFORMATION THAT IS PROPRIETARY TO MOLEX ELECTRONIC TECHNOLOGIES, LLC AND SHOULD NOT BE USED WITHOUT WRITTEN PERMISSION

QUALITY SYMBOLS	EC NO: 108986 DRWN: JMARSZALEK CHK'D: APPR: RSILLER	2016/10/03 2016/10/04	GENERAL TOLERANCES (UNLESS SPECIFIED) ANGULAR TOL ± 1.0 ° 4 PLACES ± 3 PLACES ± 2 PLACES ± 0.05 1 PLACE ± 0.3 0 PLACES ± 0.5	DIMENSION UNITS	SCALE	
				MM	1:1	
DRWN BY	DATE	JMARSZALEK 2016/10/03		PRODUCT CUSTOMER DRAWING		
CHK'D BY	DATE	RSILLER 2016/10/04				
DRAFT WHERE APPLICABLE MUST REMAIN WITHIN DIMENSIONS		DRAWING SIZE	THIRD ANGLE PROJECTION	SERIES	MATERIAL NUMBER	CUSTOMER
		A4		120067	SEE PART LIST	GENERAL MARKET
				DOCUMENT NUMBER	DOC TYPE	DOC PART SHEET NUMBER
				1200678467	PSD	000 2 OF 2