

DIN rail adapter - CUC-PP-D1PGY/R4IDC8 - 1419024

Please be informed that the data shown in this PDF Document is generated from our Online Catalog. Please find the complete data in the user's documentation. Our General Terms of Use for Downloads are valid (<http://phoenixcontact.com/download>)



DIN rail adapter, type: RJ45, degree of protection: IP20, number of positions: 8, 10 Gbps, CAT6_A, material: PC-GF, connection method: IDC connection, connection cross section: AWG 26- 22, color: gray

Product Description


DIN rail adapter with RJ45 module for the connection and distribution of Ethernet cables

Your advantages

- DIN rail mounting
- assembly without special tools
- Individual marking field
- 10 Gbps
- Security elements available as accessories
- Optional overall shielding braid for copper modules
- Front-release modules



Key Commercial Data

Packing unit	1 pc
GTIN	 4 055626 251462
GTIN	4055626251462

Technical data

Mechanical characteristics

Number of positions	8
Number of slots	1
Connection profile	RJ45
Insertion/withdrawal cycles	≥ 750
Connection method	IDC connection
Connection cross section AWG	26 ... 22

DIN rail adapter - CUC-PP-D1PGY/R4IDC8 - 1419024

Technical data

Mechanical characteristics

External cable diameter	4.5 mm ... 9 mm
Color	gray
Mounting type	DIN rail mounting
Wire diameter	0.4 mm ... 0.65 mm
Wire diameter including insulation	0.8 mm ... 1.6 mm
Insulation resistance	> 500 M Ω (100 V DC)
Degree of protection	IP20
Type	Rail-mountable module

Ambient conditions

Ambient temperature (operation)	-25 °C ... 70 °C
Ambient temperature (storage/transport)	-40 °C ... 70 °C
Degree of protection	IP20

Material data

Flammability rating according to UL 94	V0
Housing material	PC-GF
Contact carrier material	Die-cast zinc alloy
Contact material	CuSn
Contact surface material	Gold over nickel
Height	71 mm

Electrical characteristics

Number of positions	8
Nominal voltage U_N	72 V (DC)
Nominal current I_N	1.5 A
GRP transmission properties	CAT6 _A
Transmission speed	10 Gbps
Frequency range	500 MHz
Rated voltage (III/3)	72 V (DC)

Standards and Regulations

Flammability rating according to UL 94	V0
--	----

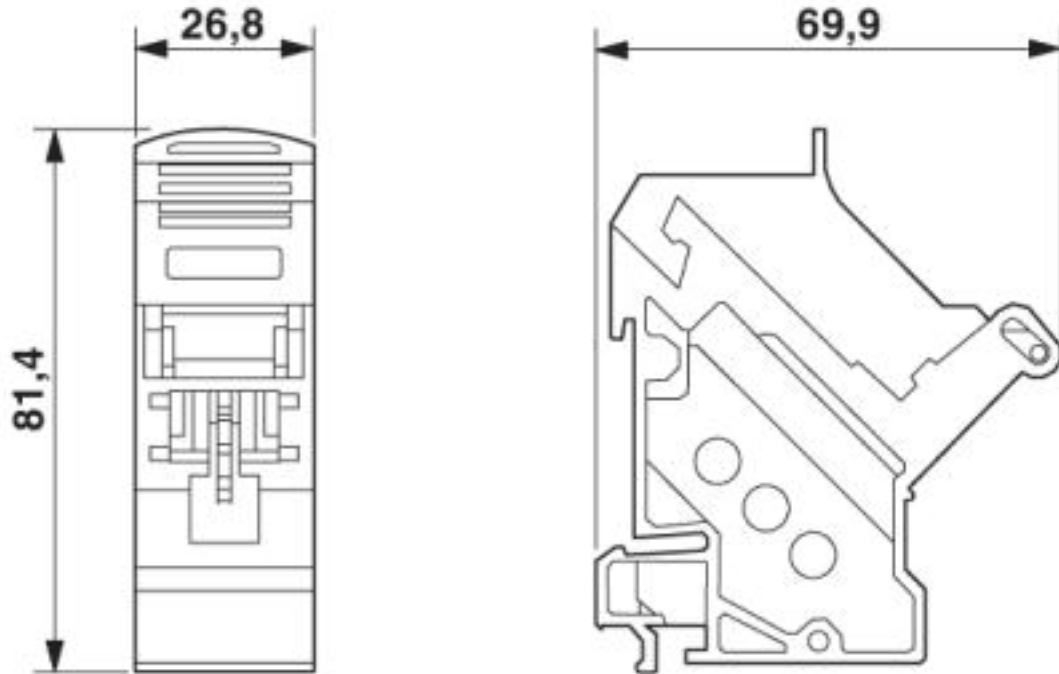
Environmental Product Compliance

China RoHS	Environmentally friendly use period: unlimited = EFUP-e
	No hazardous substances above threshold values

Drawings

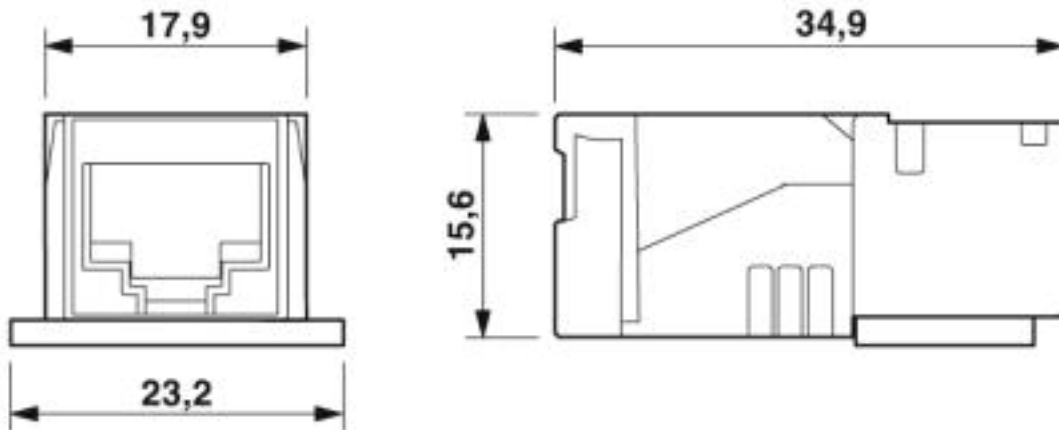
DIN rail adapter - CUC-PP-D1PGY/R4IDC8 - 1419024

Dimensional drawing



RJ45 patch panel

Dimensional drawing



RJ45 socket insert, Freenet system

Approvals

Approvals

Approvals

EAC

DIN rail adapter - CUC-PP-D1PGY/R4IDC8 - 1419024

Approvals

Ex Approvals

Approval details

EAC		B.01742
-----	---	---------

Phoenix Contact 2019 © - all rights reserved
<http://www.phoenixcontact.com>

PHOENIX CONTACT GmbH & Co. KG
Flachmarktstr. 8
32825 Blomberg
Germany
Tel. +49 5235 300
Fax +49 5235 3 41200
<http://www.phoenixcontact.com>