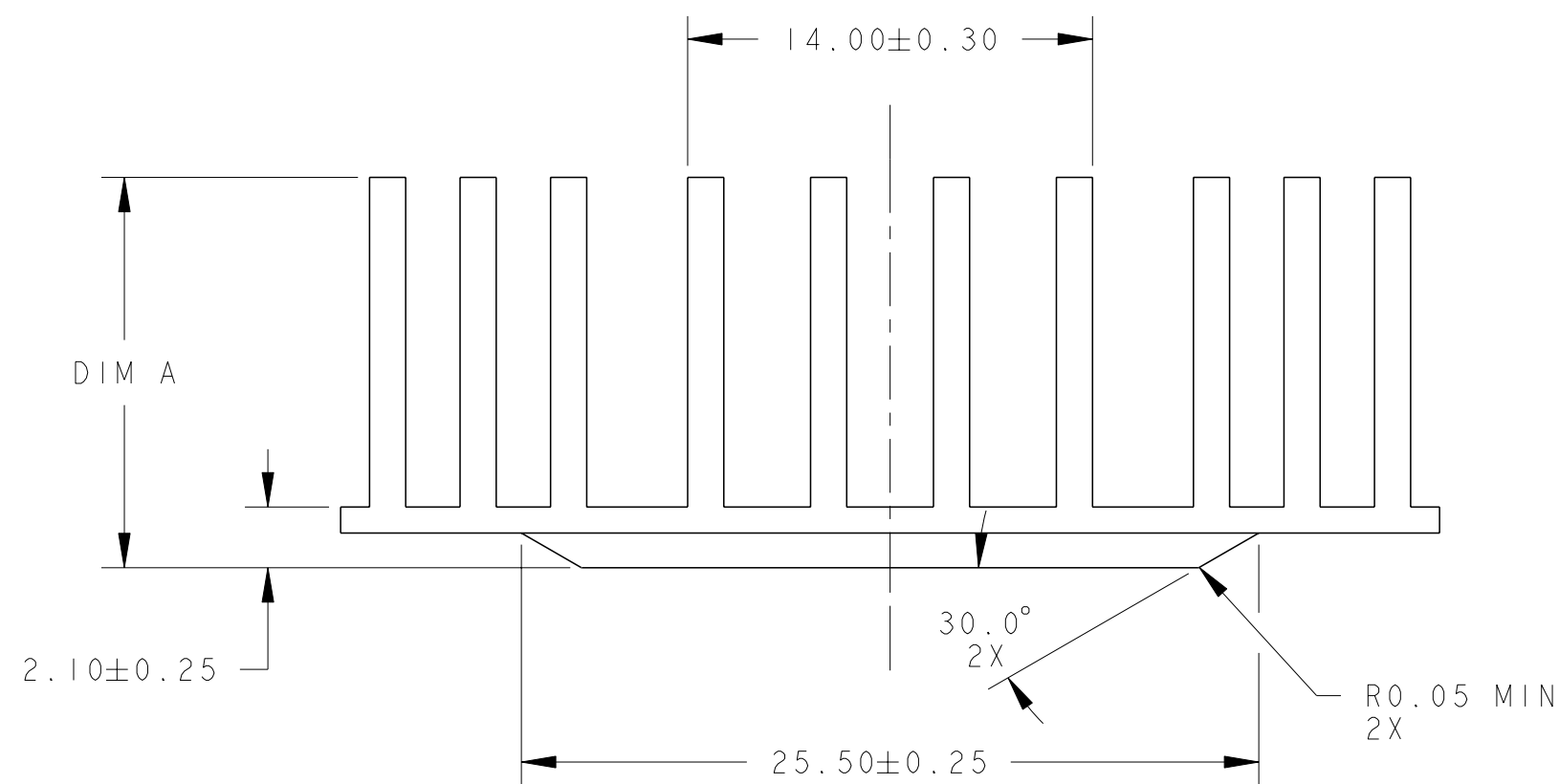
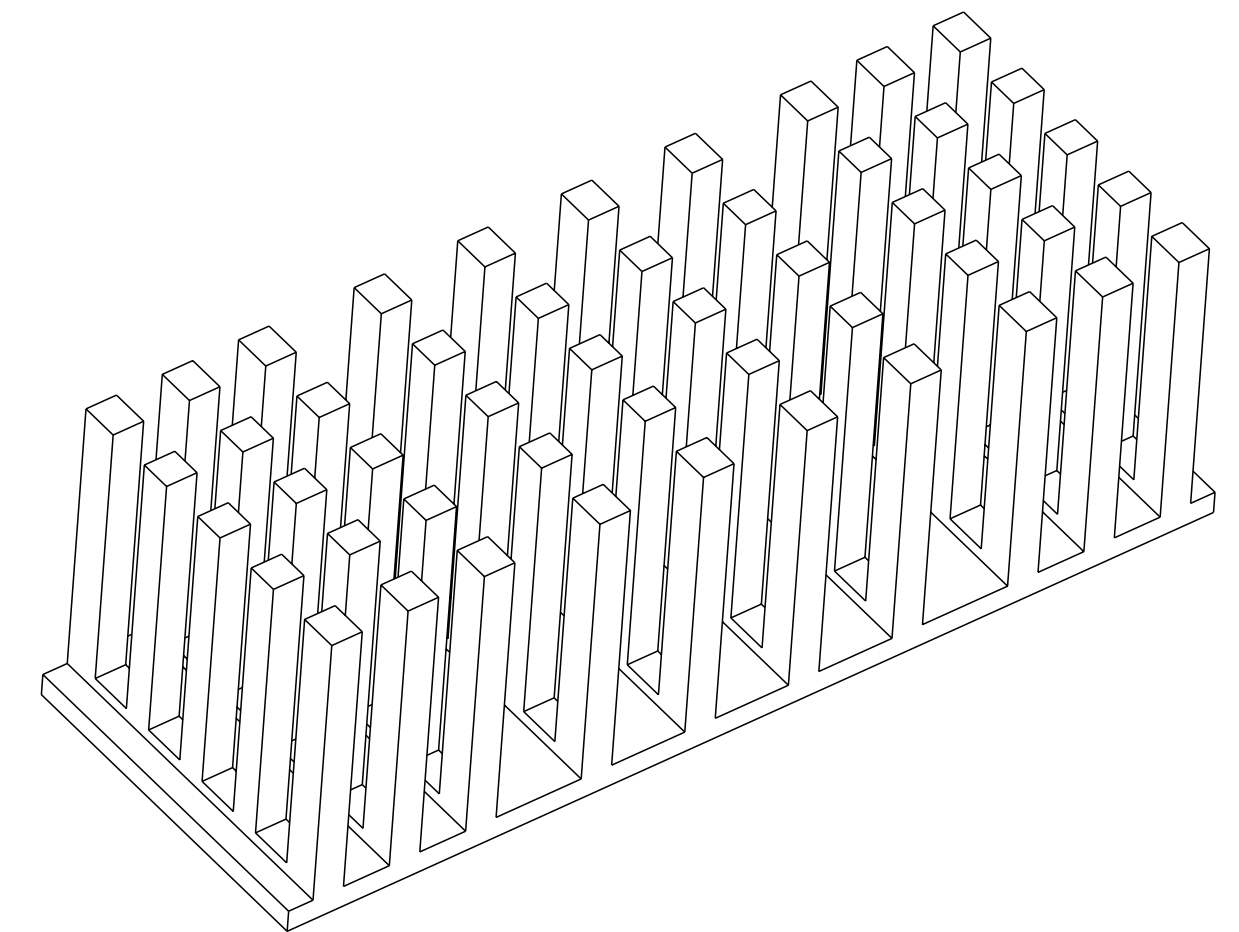
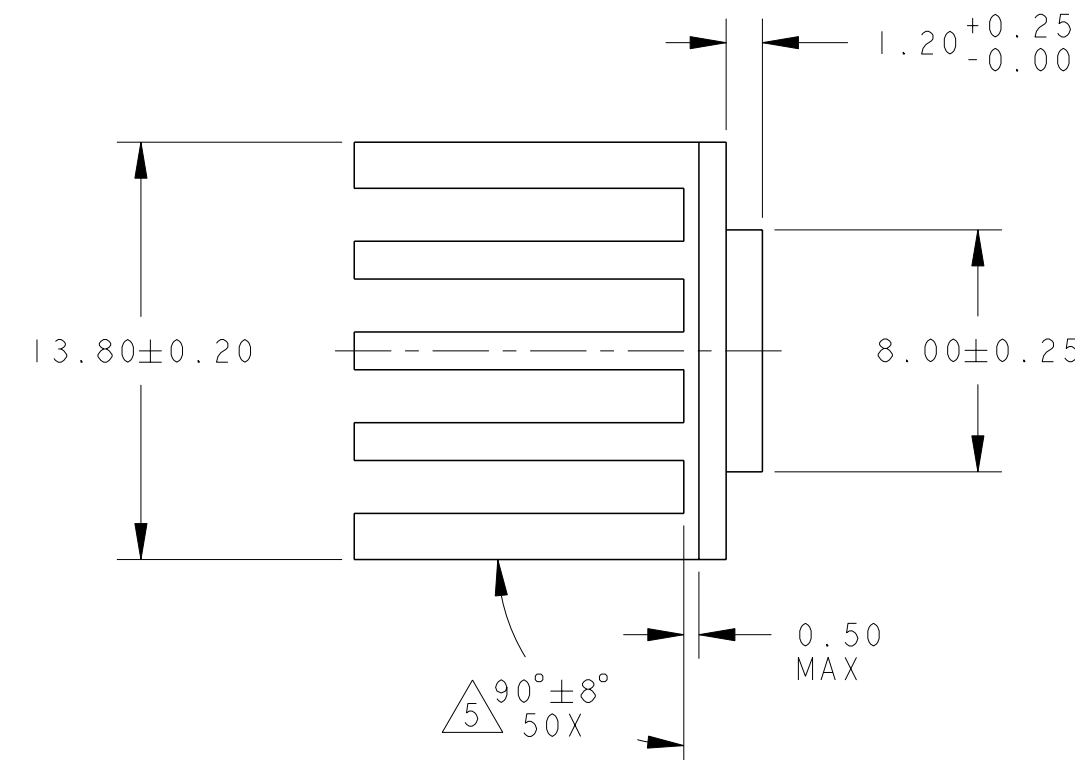
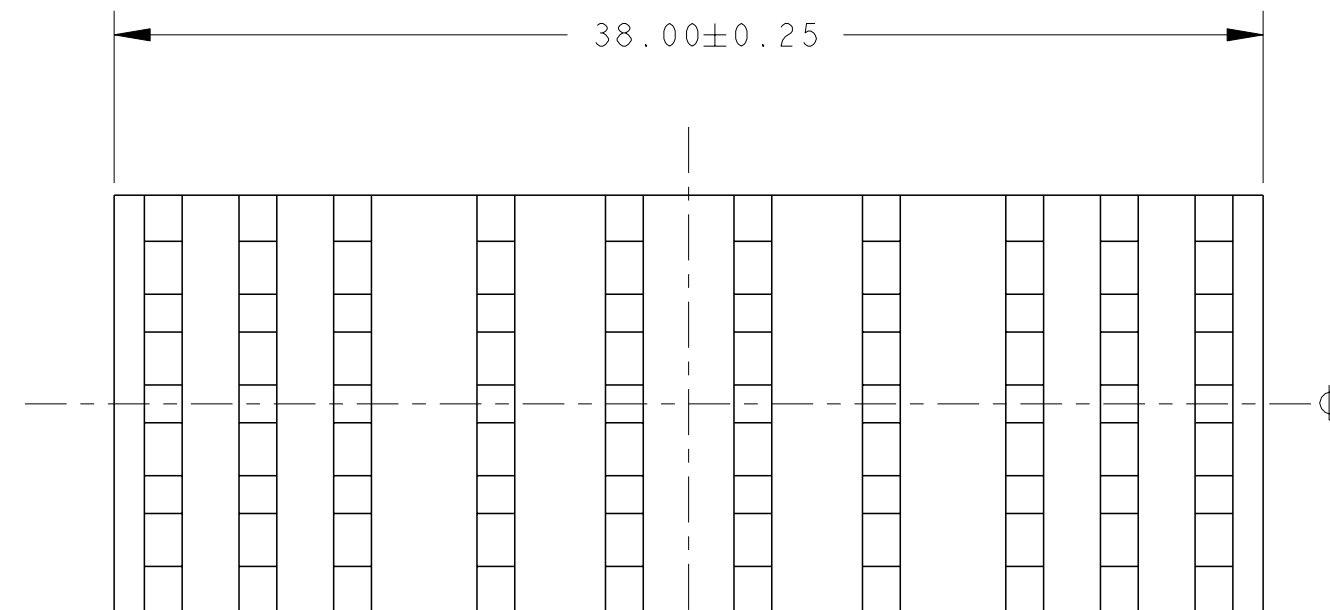


P	LTR	DESCRIPTION	DATE	DWN	APVD
C2		REVISED PER ECN-23-203008	15MAR2023	IT	SZ



NOTES:

UNLESS OTHERWISE SPECIFIED

- 1 MATERIAL: 6063 ALUMINUM.
- 2 FINISH: ANODIZATION, NATURAL.
- 3. 0,2mm MAX BURR.
- 4. VARIATION IN PLATING COLOR IS NORMAL AND ALLOWED.
- 5 MAXIMUM PIN LEAN OF 8° IN ANY DIRECTION.
- 6. RoHS COMPLIANT AND CERTIFIED.
- 7 FINISH: HARD ANODIC COATING PER MIL-A-8625 TYPE III, 40.64 MICROMETERS MINIMUM THICK.

7	1829905-4
2	1829905-2
FINISH	PART NUMBER

THIS DRAWING IS A CONTROLLED DOCUMENT.		DWN E. TAO 6-26-06	TE Connectivity	
		CHK V. KHEIL 7-13-06		
DIMENSIONS: mm	TOLERANCES UNLESS OTHERWISE SPECIFIED:	APVD -	NAME HEAT SINK SFP DWDM 13.5mm TALL	
	0 PLC ±.2	PRODUCT SPEC -	SIZE A200779	
	1 PLC ±.2	APPLICATION SPEC -	CAGE CODE C-1829905	DRAWING NO -
	2 PLC ±.10	WEIGHT -	RESTRICTED TO -	
	3 PLC ±.08	CUSTOMER DRAWING		
	4 PLC ±0.0001	SCALE 4.000	SHEET 1	OF 1
	ANGLES ±5	REV C3		
MATERIAL material_2	FINISH finish_spec_2			