

4

3

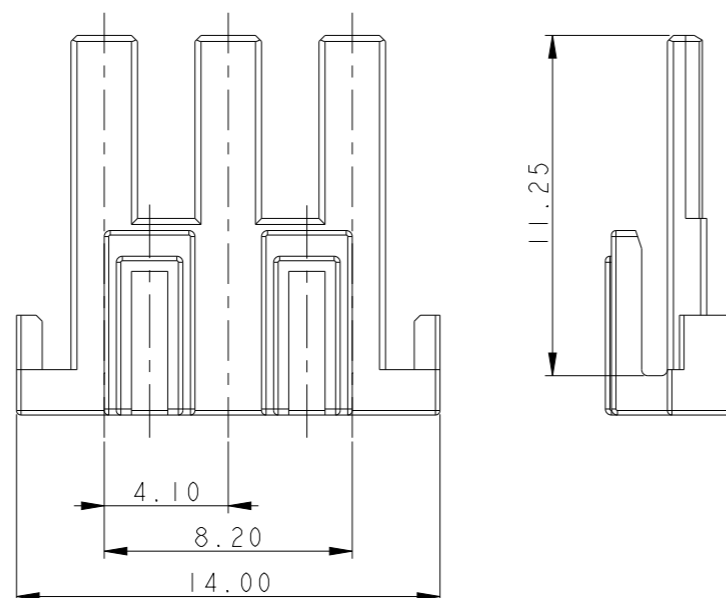
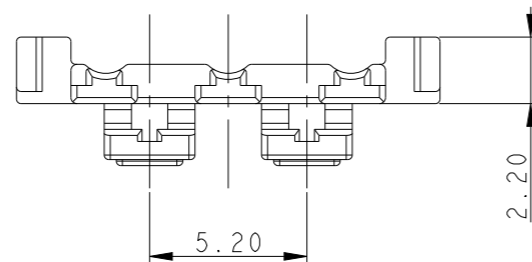
2

1

Ⓒ



REVISIONS

P	LTR	DESCRIPTION	DATE	DWN	APVD
	A1	REVISED PER ECR-21-111446	09SEP2021	SK	DZ



NOTES.  
 1. GENERAL TOLERANCES : ±0.3  
 2. APPLICABLE PLUG HSG : 2005542-X

2005543-6	DBL PLATE	PBT-GF	BLUE
2005543-5	DBL PLATE	PC/PET	YELLOW
P/N	DESCRIPTION	MATERIAL	COLOR

THIS DRAWING IS A CONTROLLED DOCUMENT.		DWN BH CHO	 TE Connectivity		
DIMENSIONS: mm		CHK BW KANG			NAME DOUBLE LOCK PLATE FOR BLOWER MOTOR 3P
		APVD JK SONG			PRODUCT SPEC 108-61076
TOLERANCES UNLESS OTHERWISE SPECIFIED:		PRODUCT SPEC 108-61076			APPLICATION SPEC
0 PLC ± 1 PLC ± 2 PLC ± 3 PLC ± 4 PLC ± ANGLES ± FINISH ±		WEIGHT	SIZE A3	CAGE CODE C-2005543	RESTRICTED TO -
MATERIAL		CUSTOMER DRAWING	SCALE 4:1	SHEET 1 OF 1	REV A1