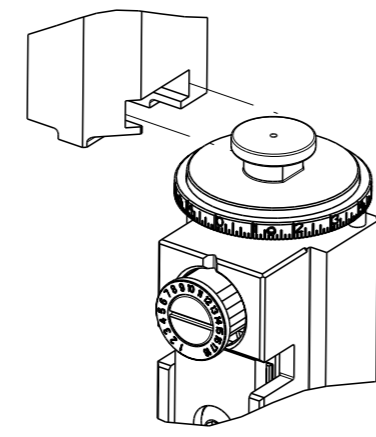


PART NUMBER	REVISION	DESCRIPTION	FEED TYPE
2150261-1	H	FINE CRIMP HEIGHT ADJUST	MECHANICAL
2150261-2	H	FINE CRIMP HEIGHT ADJUST	PNEUMATIC
7-2150261-1	H	MECHANICAL AND CRIMP TOOLING KIT	MECHANICAL
7-2150261-2	H	PNEUMATIC AND CRIMP TOOLING KIT	PNEUMATIC
7-2150261-7	A	CRIMP TOOLING KIT	-

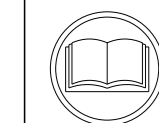
ATLANTIC VERSION TERMINATOR INTERFACE ADAPTER



APPLICATOR DATA		
CRIMP	SIZE	TYPE
WIRE	1.78 mm [.070]	F
INSUL	2.54 mm [.100]	OV
APPLICATOR INSTRUCTIONS 408-35043		

TERMINAL DATA: TE TERMINAL		TE CRIMP SPECIFICATION	
TERMINAL NAME: .110 SERIES FASTIN-ON RECEPTACLE			
WIRE STRIP LENGTH		INSULATION DIAMETER RANGE	
3.70-4.30 mm [.146-.169 IN]		Ø1.40-2.30 mm [.055-.091 IN]	
TERMINAL APPLICATION SPECIFICATION	114-20021		
TERMINALS APPLIED			
TE TERMINAL	TE TERMINAL	TE TERMINAL	TE TERMINAL
160864-1	160864-2	160864-3	160864-4
160864-5	160864-6		

WIRE SIZE	CRIMP HEIGHT mm [INCH]	CRIMP HEIGHT REFERENCE SETTING
1.00mm2	1.27 +/- 0.05 [.050 +/- .002]	5.9
0.85mm2	1.19 +/- 0.05 [.047 +/- .002]	6.8
0.75mm2	1.17 +/- 0.05 [.046 +/- .002]	7.0
0.70mm2	1.14 +/- 0.05 [.045 +/- .002]	7.5
0.50mm2	1.04 +/- 0.05 [.041 +/- .002]	8.7



1. RECOMMENDED SPARE PARTS
2. REFER TO SUPPLIED INSTRUCTION SHEET FOR CLEANING, LUBRICATION AND STORAGE OF APPLICATOR.
3. APPLY PART NUMBER 1-23419-5 LOCTITE TO THREADS OF ITEM 50. APPLY PART NUMBER 2-23419-6 LOCTITE TO THREADS OF ITEM 242.
4. CRIMP HEIGHT REFERENCE SETTING WAS THE SETTING USED WHEN THE APPLICATOR WAS QUALIFIED AT THE FACTORY. ADJUSTMENT MAY BE NECESSARY WHEN RUNNING APPLICATOR IN THE FIELD.
5. UNLESS SPECIFIED OTHERWISE TORQUE VALUES SHALL BE USED PER DOCUMENT, 101-35000.

***WARNING**
ON INSTALLATION, SET WIRE DISC TO CRIMP HEIGHT REFERENCE SETTING FOR LARGEST WIRE SIZE. CRIMP HEIGHT REFERENCE SETTINGS GREATER THAN THE VALUE SHOWN MAY CAUSE DAMAGE TO THE CRIMP TOOLING, REFER TO THE INSTRUCTION SHEET FOR PROPER SETUP AND ADJUSTMENTS.

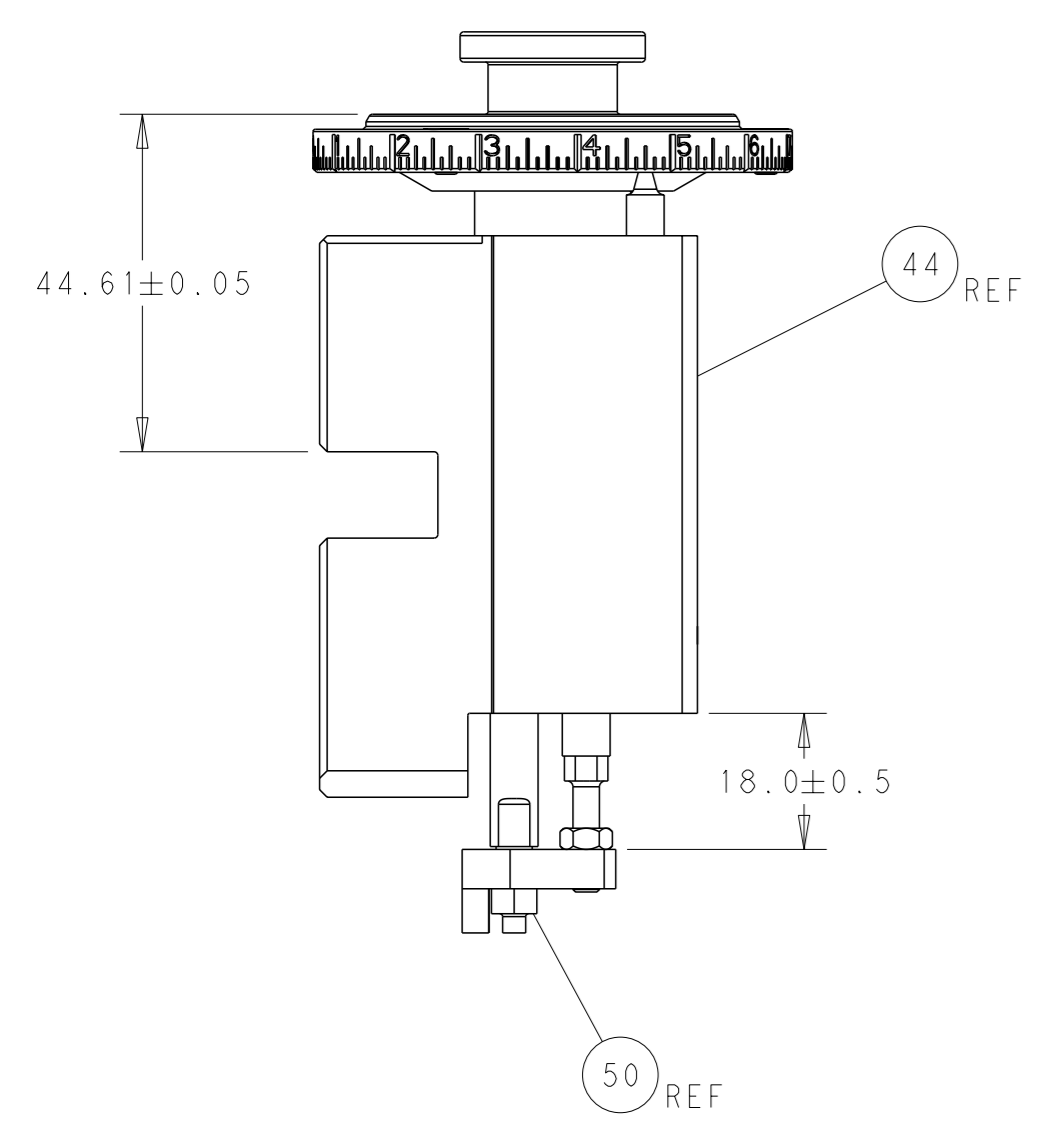
ATLANTIC VERSION
Shown on sheets 1 of 4 & 2 of 4
(Pacific version shown on sheets 3 of 4 & 4 of 4)

LOC	DIST	REVISIONS					
		P	LY#	DESCRIPTION	DATE	OWN	APVD
A	66	E		ECR-18-015881	08OCT2018	FZ	KZ
		F		ECR-19-000873	17JAN2019	TB	CT
		G		RCR-20-013358	19SEP2020	TB	RR
		H		ECR-21-000714	19JAN2021	JWC	RR

-	1	-	1	-	2119641-1	FEED CAM, AIR FEED	248					
-	1	1	1	1	2119082-9	CAM, SNAIL, INSULATION ADJUSTMENT	244					
-	1	1	1	1	2079764-1	WASHER, WAVE SPRING, CREST-TO-CREST	243					
3	-	1	1	1	2119083-1	RETAINER, INSULATION DIAL	242					
-	-	1	-	1	2119580-1	MECHANICAL FEED ASSEMBLY	239					
-	1	-	1	-	2844940-3	AIR FEED MODULE	238					
-	1	1	1	1	1-18028-0	WASHER, FLAT, REG M8	192					
-	1	1	1	1	6-993111-6	PIN, SLOTTED SPRING 3.0 X 14.0	177					
-	1	1	1	1	8-22280-7	SPRING, COMPRESSION	176					
-	1	1	1	1	1752353-2	GUIDE PIN,HOLDDOWN	175					
-	1	1	1	1	1901680-2	GUIDE PIN,HOLDDOWN	174					
-	REF	REF	REF	REF	994970-2	COUNTER, MAGNETIC	164					
-	1	1	1	1	455888-4	SPACER, CRIMPER	82					
-	1	1	1	1	1803607-4	DOCUMENTATION PACKAGE	71					
-	2	2	2	2	2-18032-2	SCR, SET, FLT PNT, M3 X 10.0	70					
-	1	1	1	1	2119740-1	TAG, IDENTIFICATION	67					
-	2	2	2	2	2168078-1	SCREW, DRIVE, RH, RoHS, 2 x .188	66					
-	1	1	1	1	1901681-5	HOLDDOWN, TERMINAL	65					
-	2	2	2	2	2168400-8	SHCS, LOW HEAD, RoHS, M4 X 16	64					
-	1	1	1	1	2168083-2	SCR, SKT HD CAP, RoHS, M4 X 8.0	60					
-	1	1	1	1	5-18022-5	SCR, HEX HD CAP, M4 X 6.0	59					
-	-	1	-	1	2063961-1	FEED FINGER	58					
-	4	4	4	4	2168400-4	SHCS, LOW HEAD, RoHS, M4 X 8	57					
-	2	2	2	2	1-2168083-0	SCR, SKT HD CAP, RoHS, M4 X 10	56					
-	2	2	2	2	5018030-1	NUT, HEX, REG, RoHS, M3	54					
-	2	2	2	2	986965-8	NUT, LOCK, HEX, TORQUE (M4)	53					
-	1	1	1	1	1-5018030-0	NUT, HEX, REG, RoHS, M3.5	52					
-	1	-	1	-	2063961-1	FEED FINGER	51					
3	-	1	1	1	1976055-8	STANDOFF, HOLD-DOWN	50					
-	1	2	1	2	18023-9	SCR, SKT HD CAP M4 X 6.0	49					
-	-	1	-	1	2119652-1	FEED CAM, PRE FEED	48					
-	-	1	-	1	2119653-1	FEED CAM, POST FEED	47					
-	1	1	1	1	2119655-5	APPLICATOR BASIC ASSEMBLY, EF	46					
-	1	1	1	1	1803517-1	RAM ASSEMBLY, EF ATLANTIC	44					
-	1	1	1	1	1803602-1	SCR, BHSC, RoHS (M8 X 25)	41					
-	8	8	8	8	1-18028-2	WASHER, FLAT, REG M4	33					
-	2	2	2	2	2168083-9	SCR, SKT HD CAP, RoHS, M4 X 20	31					
-	2	2	2	2	2168083-2	SCR, SKT HD CAP, RoHS, M4 X 8.0	29					
-	1	1	1	1	240639-1	STRIPPER (MACHINING)	27					
-	2	2	2	2	1-2168083-5	SCR, SKT HD CAP, RoHS, M4 X 30	25					
-	1	1	1	1	1752371-9	PLATE, STRIP GUIDE	24					
-	1	1	1	1	240825-6	PLATE, STRIP HOLD DOWN	23					
-	2	2	2	2	2-22281-3	SPRING, COMPRESSION	22					
-	1	1	1	1	1803292-4	DRAG	20					
-	2	2	2	2	1901259-3	GUIDE, LOWER STRIP	18					
-	4	4	4	4	1-2079383-1	SCR, BHSC, RoHS (M6 X 12)	17					
-	1	1	1	1	5-240641-8	SPACER	16					
-	1	1	1	1	1752360-1	SPACER,HOLD-DOWN	13					
1	-	1	1	1	240833-4	PLATE, REAR SHEAR	11					
1	-	2	2	2	1-240645-0	SPACER, SHEAR PLATE	10					
1	-	1	1	1	240642-5	PLATE, FRONT SHEAR	9					
1	2	2	1	1	1-1333215-0	ANVIL, COMBINATION	8					
1	-	1	1	1	1-240651-6	BLADE, SLUG	7					
-	1	1	1	1	240641-1	SPACER	5					
-	1	1	1	1	238011-4	BLOCK, CRIMPER SPACER	4					
1	2	2	1	1	2119785-7	CRIMPER, INSULATION OVERLAP PREMIUM	3					
-	1	1	1	1	455888-4	SPACER, CRIMPER	2					
1	2	2	1	1	1-456404-8	CRIMPER, WIRE PREMIUM	1					
-	77	-	72	-	71	-	2	-	1	PART NO	DESCRIPTION	ITEM NO

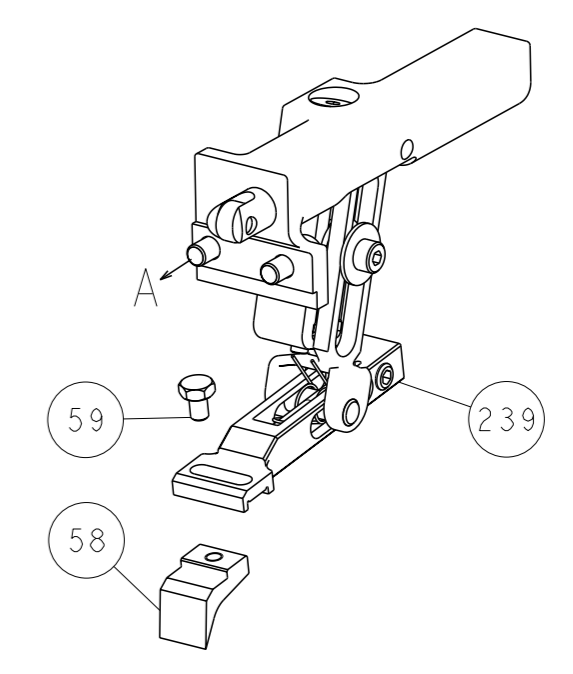
DIMENSIONS:		TOLERANCES UNLESS OTHERWISE SPECIFIED:		DRAWN		NAME	
mm	0 PLC ±	1 PLC ±	2 PLC ±	3 PLC ±	4 PLC ±	APVD	DATE
	ANGLES	FINISH					
MATERIAL				WEIGHT		SCALE	
CUSTOMER ACCESSIBLE PRODUCTION DRAWING				SCALE 1:1		SHEET 1 OF 4	

LOC	DIST	REVISIONS			
A	66	REV	DATE	OWN	APVD
		-	SEE SHEET 1	-	-

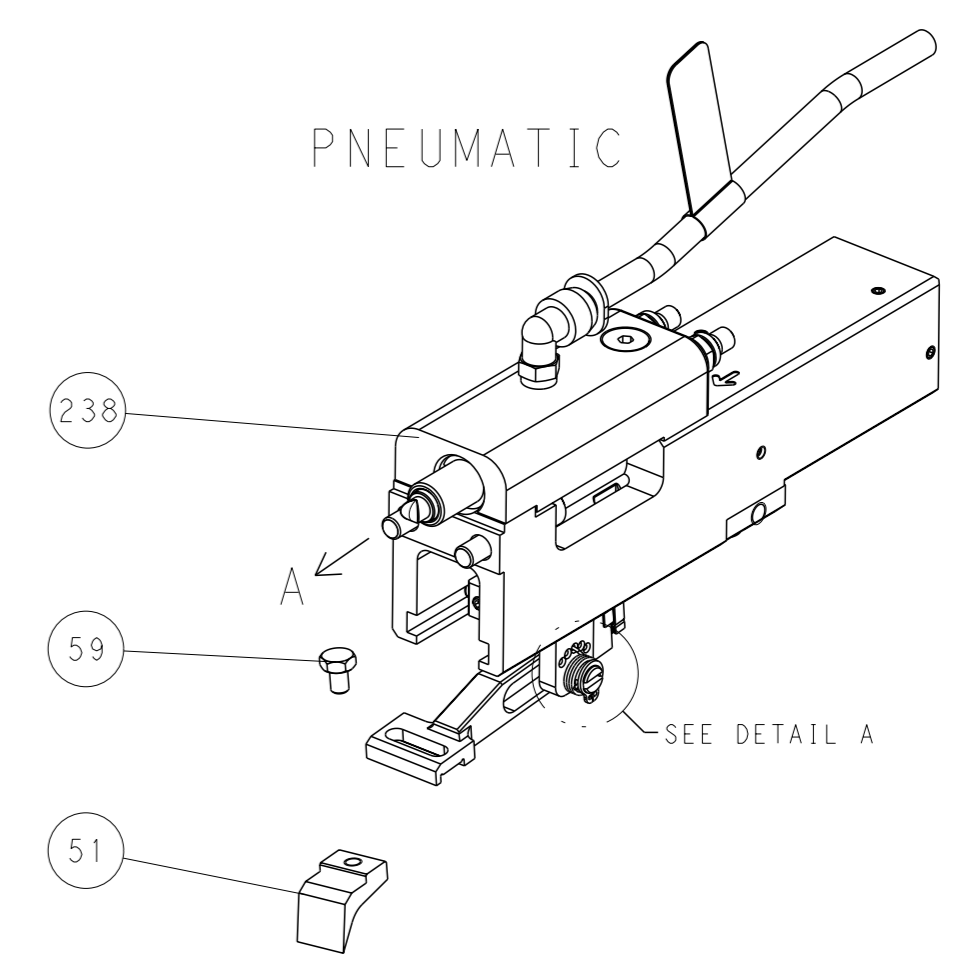


RAM & HOLDDOWN SET-UP

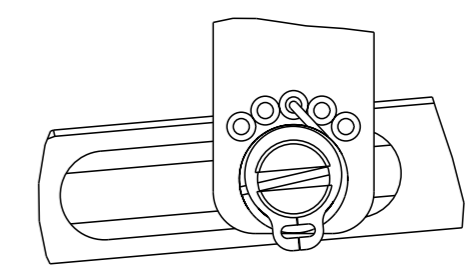
FEED TYPE
MECHANICAL



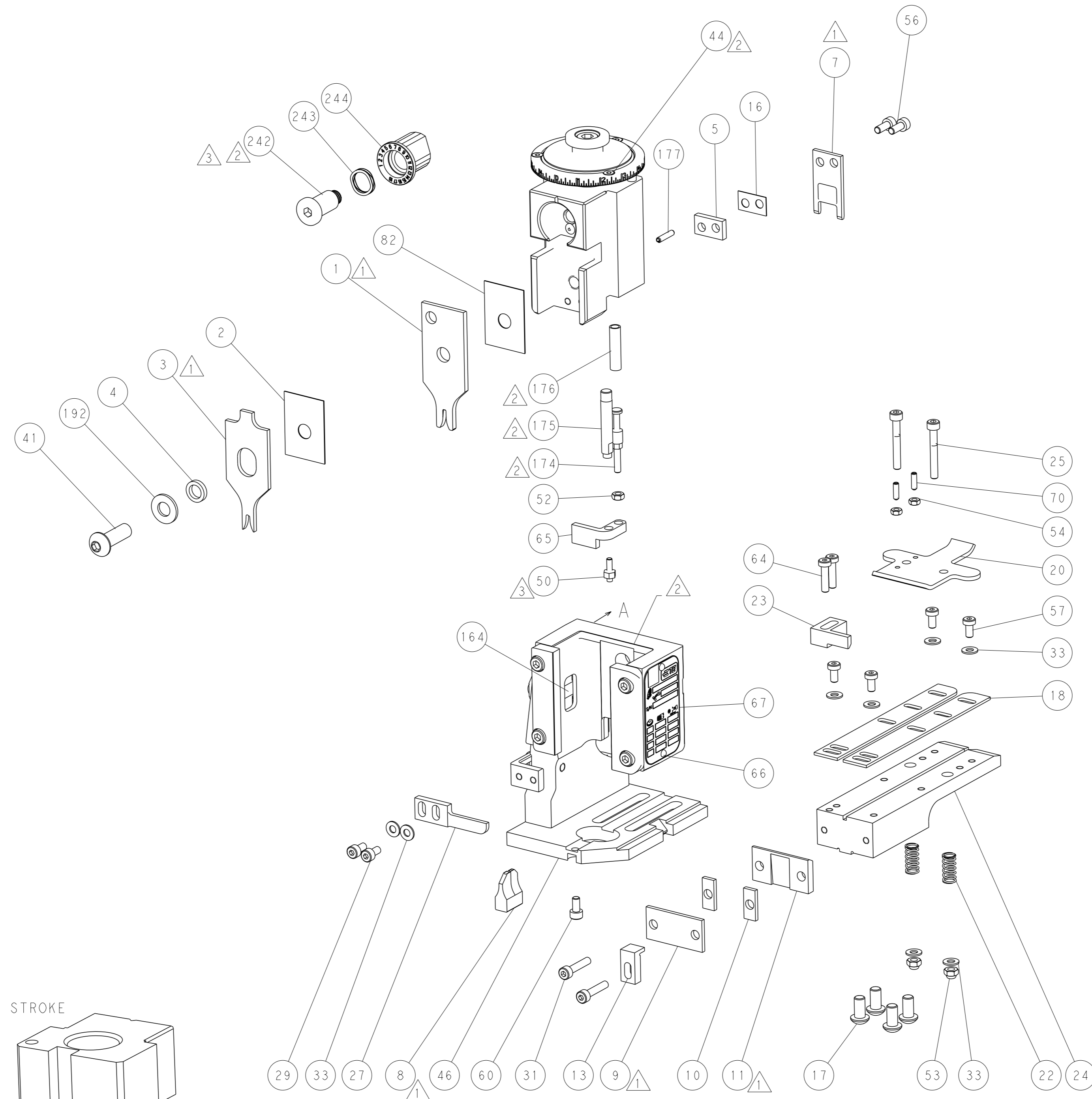
PNEUMATIC



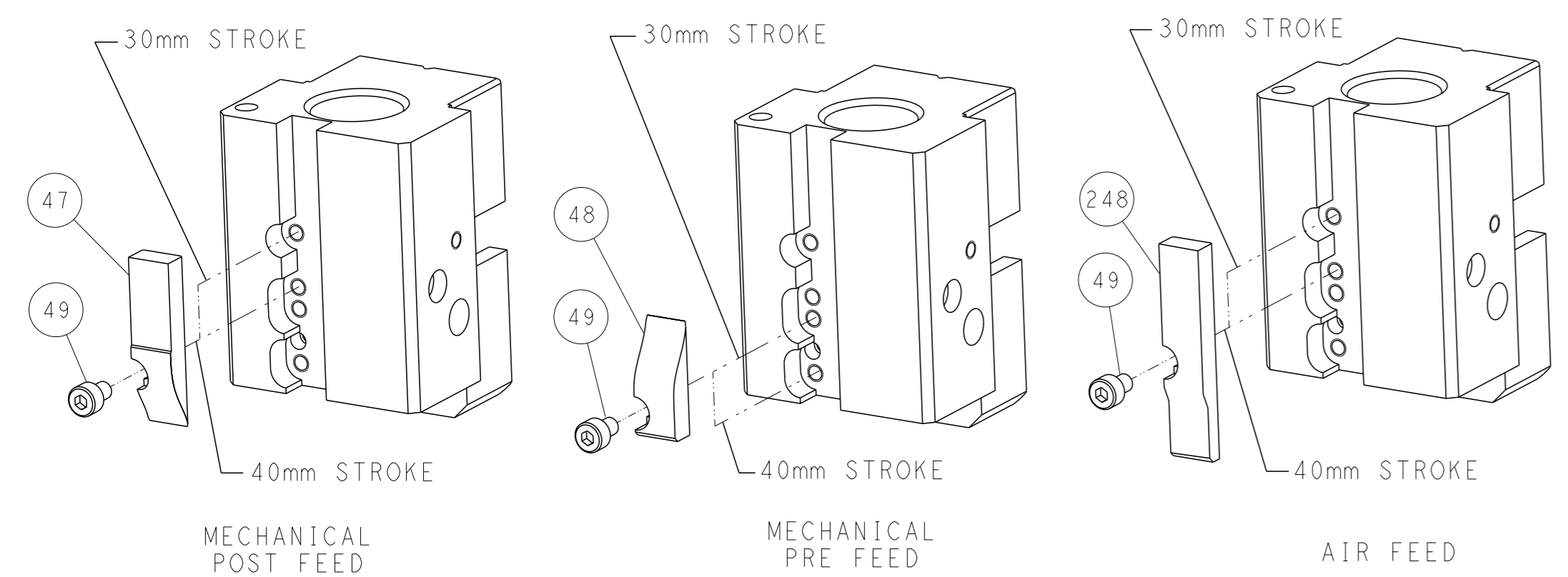
FEED SPRING
SETTING POSITION



DETAIL A



CAM POSITIONS

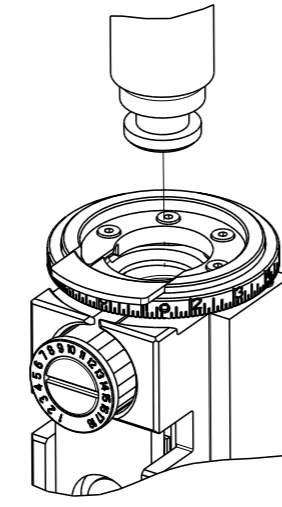


ATLANTIC VERSION
 Shown on sheets 1 of 4 & 2 of 4
 (Pacific version shown on sheets 3 of 4 & 4 of 4)

DIMENSIONS: mm 		TOLERANCES UNLESS OTHERWISE SPECIFIED: 0 PLC ± 1 PLC ± 2 PLC ± 3 PLC ± 4 PLC ± ANGLES ±		OWN: Y. YIN 08JUN2012 CHK: G. BAILEY 08JUN2012 APVD: S. XI 08JUN2012 PRODUCT SPEC APPLICATION SPEC WEIGHT CUSTOMER ACCESSIBLE PRODUCTION DRAWING		NAME: Ocean End Feed Applicator SIZE: A1 CAGE CODE: 00779 DRAWING NO: 2150261 SCALE: 1:1 SHEET: 2 of 4 REV: H		RESTRICTED TO:	
MATERIAL:		FINISH:		DATE: 08JUN2012		DRAWN BY: Y. YIN		CHECKED BY: G. BAILEY	

8	7	6	5	4	3	2	1
THIS DRAWING IS UNPUBLISHED.		RELEASED FOR PUBLICATION		20			
COPYRIGHT 20 BY TYCO ELECTRONICS CORPORATION. ALL RIGHTS RESERVED.							
PART NUMBER	REVISION	DESCRIPTION	FEED TYPE				
2-2150261-1	H	FINE CRIMP HEIGHT ADJUST	MECHANICAL				
2-2150261-2	H	FINE CRIMP HEIGHT ADJUST	PNEUMATIC				
7-2150261-7	A	CRIMP TOOLING KIT	-				

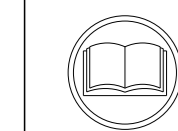
PACIFIC VERSION TERMINATOR
INTERFACE ADAPTER



APPLICATOR DATA		
CRIMP	SIZE	TYPE
WIRE	1.78 mm [.070]	F
INSUL	2.54 mm [1.00]	OV
APPLICATOR INSTRUCTIONS 408-35043		

TERMINAL DATA: TE TERMINAL		TE CRIMP SPECIFICATION	
TERMINAL NAME: .110 SERIES FAST-IN-ON RECEPTACLE			
WIRE STRIP LENGTH 3.70-4.30 mm [1.46-.169 IN]		INSULATION DIAMETER RANGE Ø1.40-2.30 mm [1.055-.091 IN]	
TERMINAL APPLICATION SPECIFICATION	114-20021	-	-
TERMINALS APPLIED			
TE TERMINAL	TE TERMINAL	TE TERMINAL	TE TERMINAL
160864-1	160864-2	160864-3	160864-4
160864-5	160864-6		

WIRE SIZE	CRIMP HEIGHT mm [INCH]	CRIMP HEIGHT REFERENCE SETTING
1.00mm2	1.27 +/- 0.05 [1.050 +/- .002]	5.9
0.85mm2	1.19 +/- 0.05 [1.047 +/- .002]	6.8
0.75mm2	1.17 +/- 0.05 [1.046 +/- .002]	7.0
0.70mm2	1.14 +/- 0.05 [1.045 +/- .002]	7.5
0.50mm2	1.04 +/- 0.05 [1.041 +/- .002]	8.7



- 1 RECOMMENDED SPARE PARTS
 - 2 REFER TO SUPPLIED INSTRUCTION SHEET FOR CLEANING, LUBRICATION AND STORAGE OF APPLICATOR.
 - 3 APPLY PART NUMBER 1-23419-5 LOCTITE TO THREADS OF ITEM 50. APPLY PART NUMBER 2-23419-6 LOCTITE TO THREADS OF ITEM 242.
 - 4 CRIMP HEIGHT REFERENCE SETTING WAS THE SETTING USED WHEN THE APPLICATOR WAS QUALIFIED AT THE FACTORY. ADJUSTMENT MAY BE NECESSARY WHEN RUNNING APPLICATOR IN THE FIELD.
5. UNLESS SPECIFIED OTHERWISE TORQUE VALUES SHALL BE USED PER DOCUMENT, 101-35000.

***WARNING**
ON INSTALLATION, SET WIRE DISC TO CRIMP HEIGHT REFERENCE SETTING FOR LARGEST WIRE SIZE. CRIMP HEIGHT REFERENCE SETTINGS GREATER THAN THE VALUE SHOWN MAY CAUSE DAMAGE TO THE CRIMP TOOLING, REFER TO THE INSTRUCTION SHEET FOR PROPER SETUP AND ADJUSTMENTS.

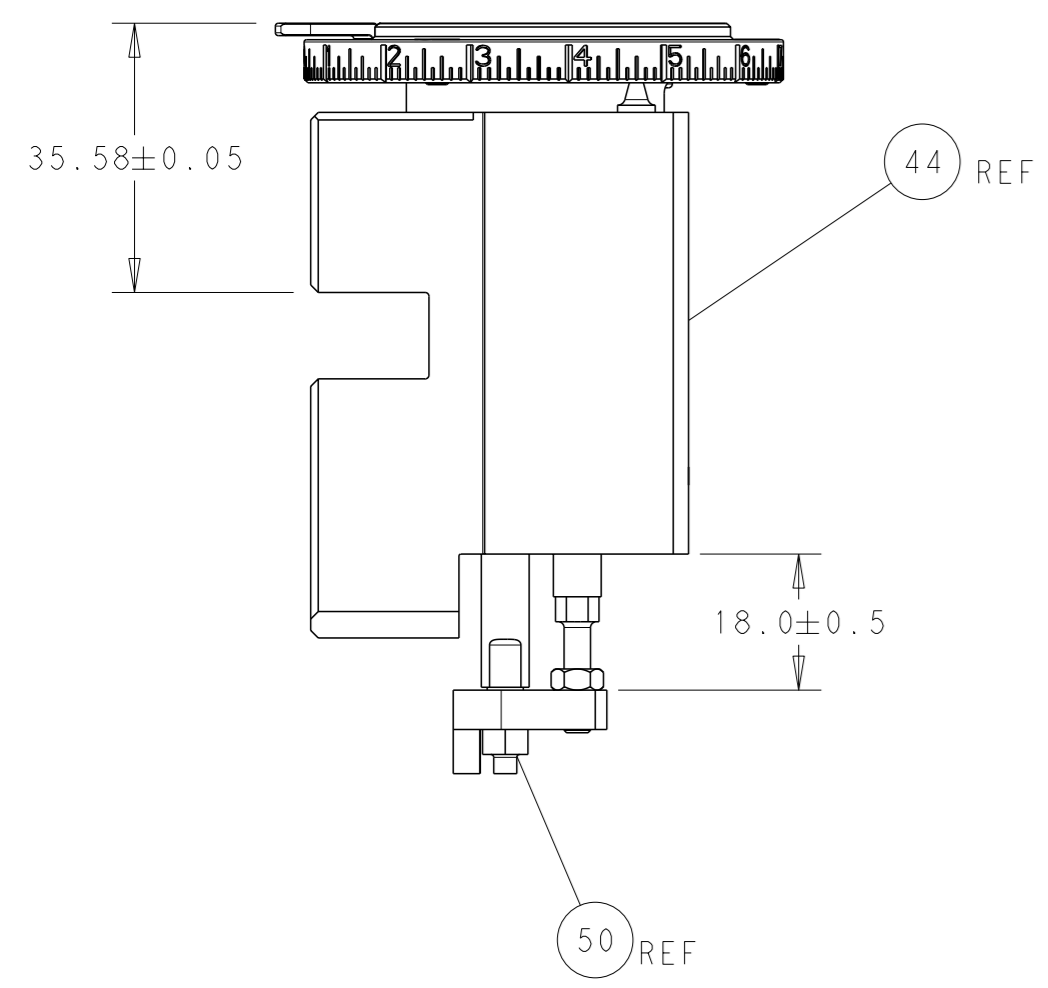
PACIFIC VERSION
Shown on sheets 3 of 4 & 4 of 4
(Atlantic version shown on sheets 1 of 4 & 2 of 4)

LOC	DIST	REVISIONS					
A	66	P	LYR	DESCRIPTION	DATE	OWN	APVD
		-		SEE SHEET 1	-	-	-

-	1	1	2119082-9	CAM, SNAIL, INSULATION ADJUSTMENT	244
-	1	1	2079764-1	WASHER, WAVE SPRING, CREST-TO-CREST	243
-	1	1	2119083-1	RETAINER, INSULATION DIAL	242
-	-	1	2119580-1	MECHANICAL FEED ASSEMBLY	239
-	1	-	2844940-3	AIR FEED MODULE	238
-	1	1	1-18028-0	WASHER, FLAT, REG M8	192
-	4	4	2079383-9	SCR, BHSC, RoHS (M6 X 20)	186
-	1	1	6-993111-6	PIN, SLOTTED SPRING 3.0 X 14.0	177
-	1	1	8-22280-7	SPRING, COMPRESSION	176
-	1	1	1752353-2	GUIDE PIN, HOLDDOWN	175
-	1	1	1901680-2	GUIDE PIN, HOLDDOWN	174
-	REF	REF	994970-2	COUNTER, MAGNETIC	164
-	1	-	2119641-2	FEED CAM, AIR FEED	152
-	1	1	2168083-8	SCR, SKT HD CAP, RoHS, M4 X 16	144
-	-	1	2119653-2	FEED CAM, POST FEED	142
-	1	1	2119655-6	APPLICATOR BASIC ASSEMBLY, EF	141
-	1	1	1803518-1	RAM ASSEMBLY, EF PACIFIC	140
-	1	1	455888-4	SPACER, CRIMPER	82
-	1	1	1803607-4	DOCUMENTATION PACKAGE	71
-	2	2	2-18032-2	SCR, SET, FLT PNT, M3 X 10.0	70
-	1	1	2119740-1	TAG, IDENTIFICATION	67
-	2	2	2168078-1	SCREW, DRIVE, RH, RoHS, 2 x .188	66
-	1	1	1901681-5	HOLDDOWN, TERMINAL	65
-	2	2	2168400-8	SHCS, LOW HEAD, RoHS, M4 X 16	64
-	1	1	5-18022-5	SCR, HEX HD CAP, M4 X 6.0	59
-	-	1	2063961-1	FEED FINGER	58
-	4	4	2168400-4	SHCS, LOW HEAD, RoHS, M4 X 8	57
-	2	2	1-2168083-0	SCR, SKT HD CAP, RoHS, M4 X 10	56
-	2	2	5018030-1	NUT, HEX, REG, RoHS, M3	54
-	2	2	986965-8	NUT, LOCK, HEX, TORQUE (M4)	53
-	1	1	1-5018030-0	NUT, HEX, REG, RoHS, M3.5	52
-	1	-	2063961-1	FEED FINGER	51
-	1	1	1976055-8	STANDOFF, HOLD-DOWN	50
-	1	2	18023-9	SCR, SKT HD CAP M4 X 6.0	49
-	-	1	2119652-1	FEED CAM, PRE FEED	48
-	1	1	1803602-1	SCR, BHSC, RoHS (M8 X 25)	41
-	8	8	1-18028-2	WASHER, FLAT, REG M4	33
-	2	2	2168083-9	SCR, SKT HD CAP, RoHS, M4 X 20	31
-	2	2	2168083-2	SCR, SKT HD CAP, RoHS, M4 X 8.0	29
-	1	1	240639-1	STRIPPER (MACHINING)	27
-	2	2	1-2168083-5	SCR, SKT HD CAP, RoHS, M4 X 30	25
-	1	1	1752371-9	PLATE, STRIP GUIDE	24
-	1	1	240825-6	PLATE, STRIP HOLD DOWN	23
-	2	2	2-22281-3	SPRING, COMPRESSION	22
-	1	1	1803292-4	DRAG	20
-	2	2	1901259-3	GUIDE, LOWER STRIP	18
-	1	1	5-240641-8	SPACER	16
-	1	1	1752360-1	SPACER, HOLD-DOWN	13
-	1	1	240833-4	PLATE, REAR SHEAR	11
-	2	2	1-240645-0	SPACER, SHEAR PLATE	10
-	1	1	240642-5	PLATE, FRONT SHEAR	9
1	1	1	1-1333215-0	ANVIL, COMBINATION	8
-	1	1	1-240651-6	BLADE, SLUG	7
-	1	1	240641-1	SPACER	5
-	1	1	238011-4	BLOCK, CRIMPER SPACER	4
1	1	1	2119785-7	CRIMPER, INSULATION OVERLAP PREMIUM	3
-	1	1	455888-4	SPACER, CRIMPER	2
1	1	1	1-456404-8	CRIMPER, WIRE PREMIUM	1

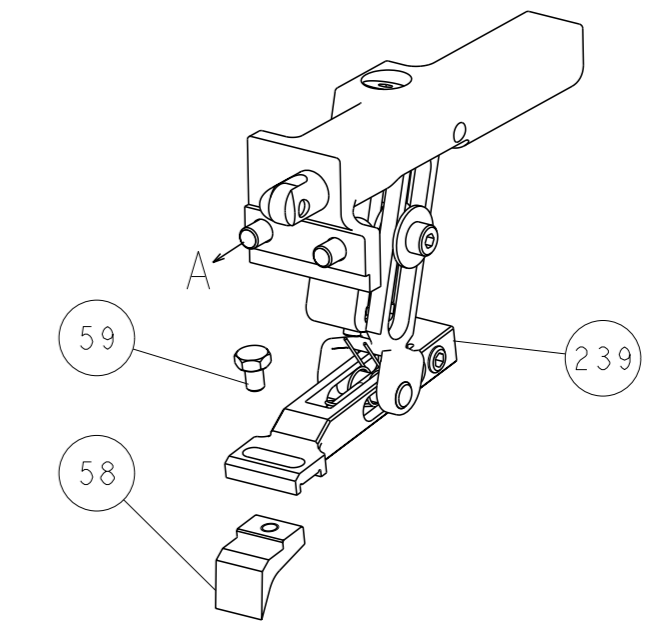
DIMENSIONS:		TOLERANCES UNLESS OTHERWISE SPECIFIED:		OWN	Y. YIN	08JUN2012	TE Connectivity Harrisburg, PA 17105-3608
mm	0 PLC ± 1 PLC ± 3 PLC ± 4 PLC ±	mm	±	CHK	G. BAILEY	08JUN2012	
MATERIAL:		FINISH:		APVD	S. YI	08JUN2012	NAME Ocean End Feed Applicator
-		-		PRODUCT SPEC	-		
-		-		APPLICATION SPEC	-		SIZE
-		-		WEIGHT	-		CAGE CODE
-		-		CUSTOMER ACCESSIBLE PRODUCTION DRAWING	SCALE		DRAWING NO
-		-		A1		00779	2150261
-		-		SHEET		3	OF 4
-		-		REV		H	

LOC	DIST	REV	DESCRIPTION	DATE	OWN	APVD
A	66		SEE SHEET 1			

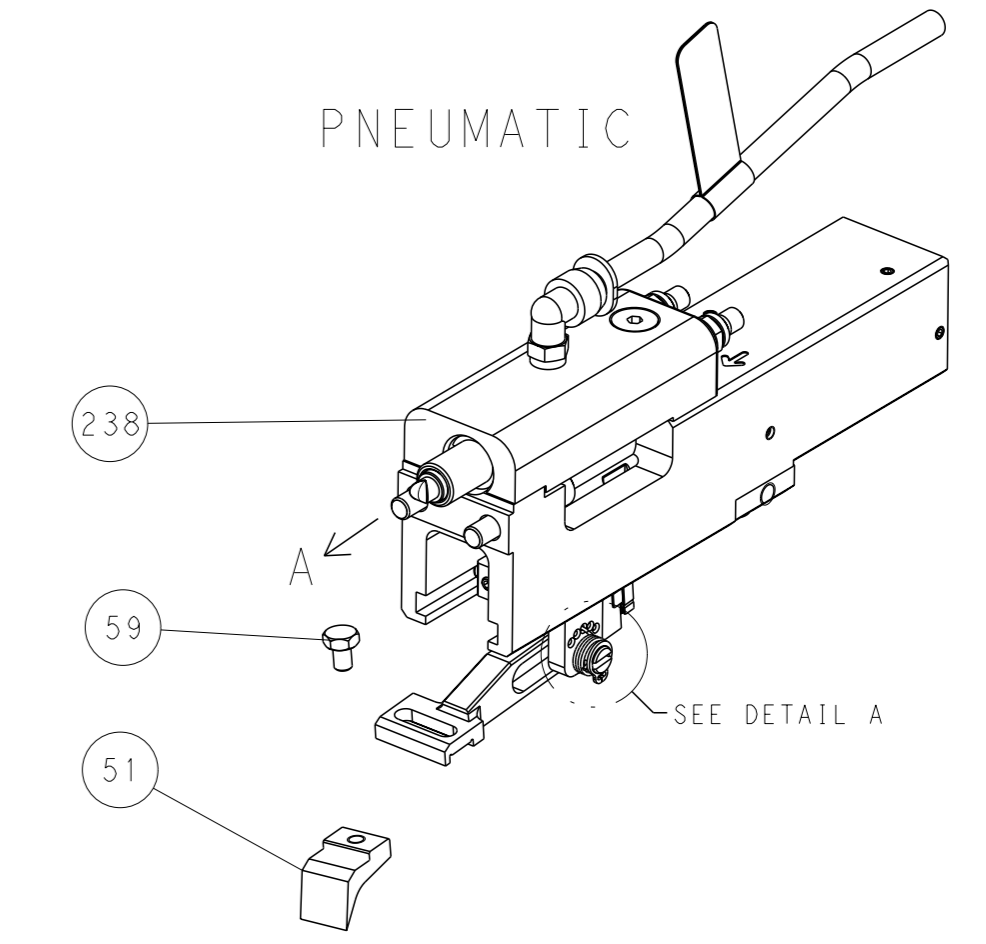


RAM & HOLDDOWN SET-UP

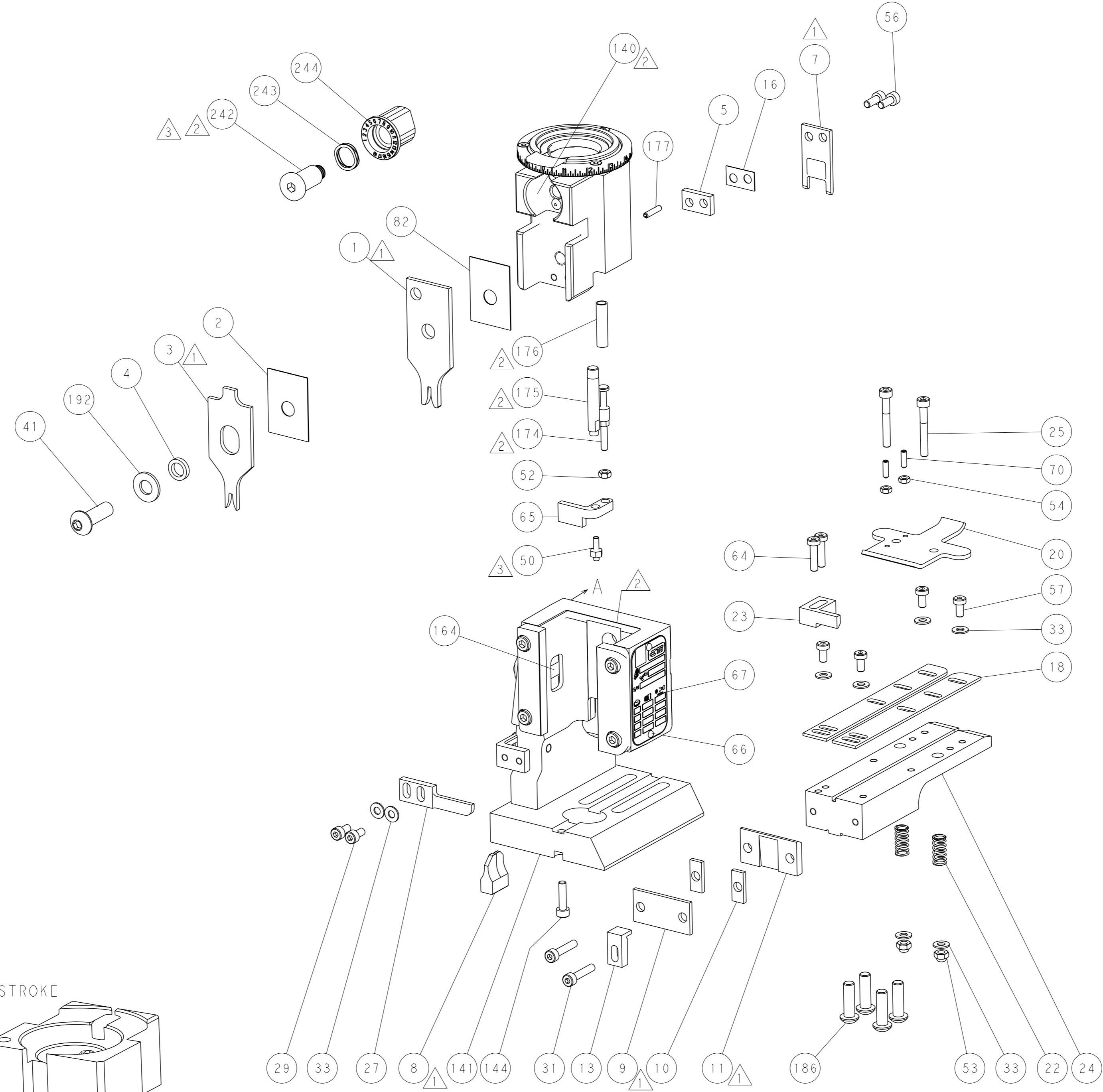
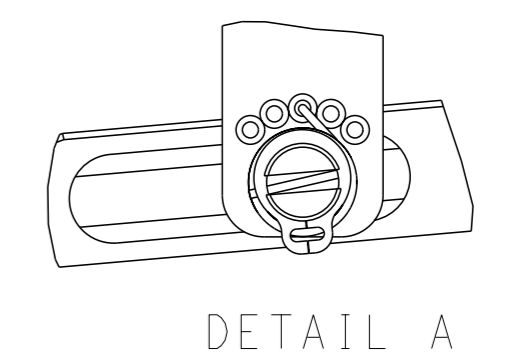
FEED TYPE
MECHANICAL



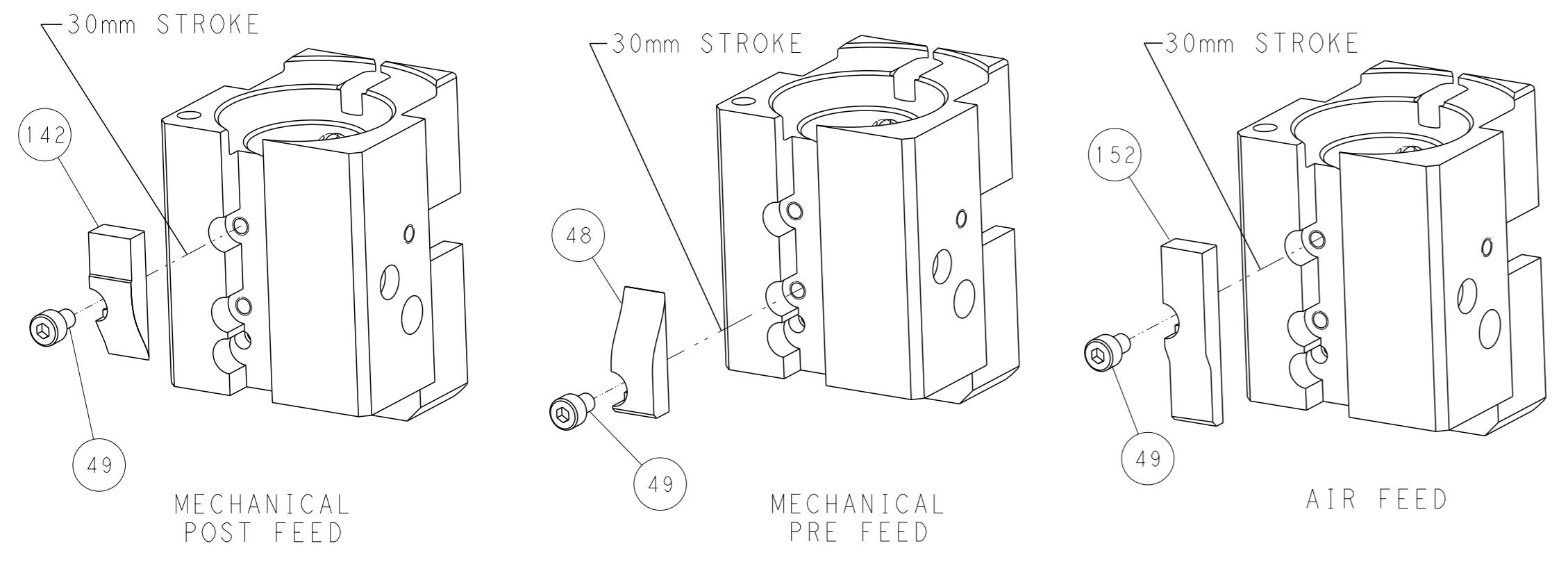
PNEUMATIC



FEED SPRING
SETTING POSITION



CAM POSITIONS



PACIFIC VERSION
 Shown on sheets 3 of 4 & 4 of 4
 (Atlantic version shown on sheets 1 of 4 & 2 of 4)

DIMENSIONS:		TOLERANCES UNLESS OTHERWISE SPECIFIED:		OWN: Y. YIN 08JUN2012		TE Connectivity	
mm		0 PLC ±		CHK: G. BAILEY 08JUN2012		Harrisburg, PA 17105-3608	
MATERIAL:		1 PLC ±		APVD: S. XI 08JUN2012		NAME: Ocean End Feed Applicator	
		2 PLC ±		PRODUCT SPEC:		SIZE: CAGE CODE DRAWING NO:	
		3 PLC ±		APPLICATION SPEC:		RESTRICTED TO:	
		4 PLC ±		WEIGHT:		A 00779 C=2150261	
		ANGLES FINISH *		CUSTOMER ACCESSIBLE PRODUCTION DRAWING		SCALE: 1:1 SHEET 4 OF 4 REV H	