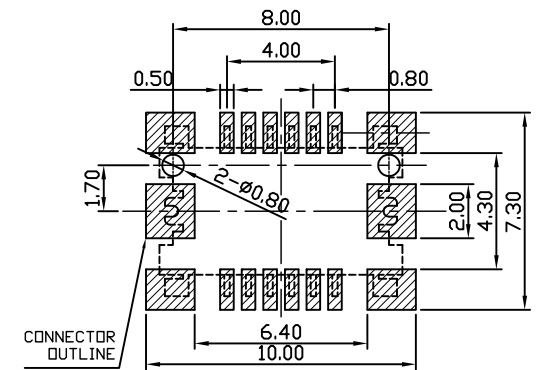
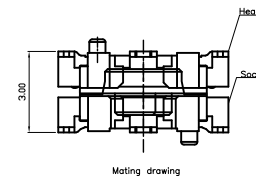
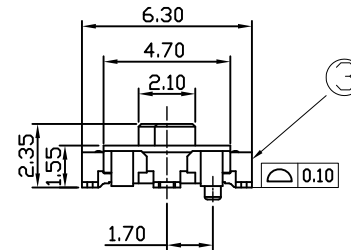
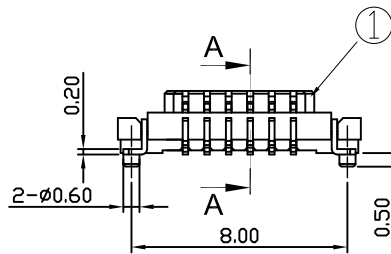
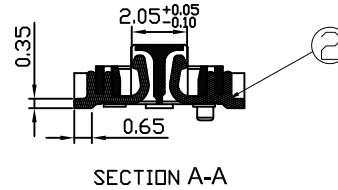
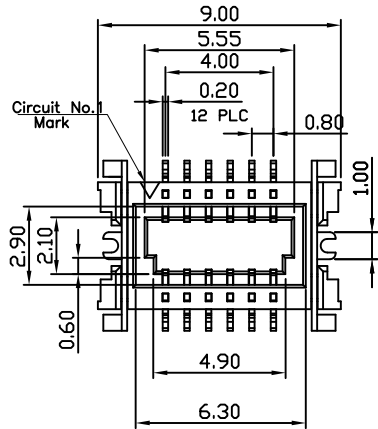


REV.	DESCRIPTION	DATE
A	New Drawing	2014/08/06

Compliance with:
 PCIe4.0(16GTS),
 USB4 Gen3(40Gbps),
 USB3.2 Gen2(10Gbps),
 USB3.2 Gen2 Type C(10Gbps).
 Mating with:
 "BACA-012G1140NWLI-B"



B	B	C	A	-	0	1	2	G	1	1	5	5	N	W	L	I	-	B
				Number of Contact 12 Contact		Contact Plating G1 Gold flash		Height H 1.55mm		Base Color N Natural		Plastic L LCP		Packing I Reel		Series No.		
																	W With locating Peg with fitting nail	

Temperature Rating : -40°C ~ +105°C .
 Dielectric Withstanding Voltage : 300 V AC/Min

▨ : STAND OFF AREA
 TOLERANCE: ±0.05
 RECOMMENDED PCB LAYOUT
 (TOP VIEW)

RoHS compliant

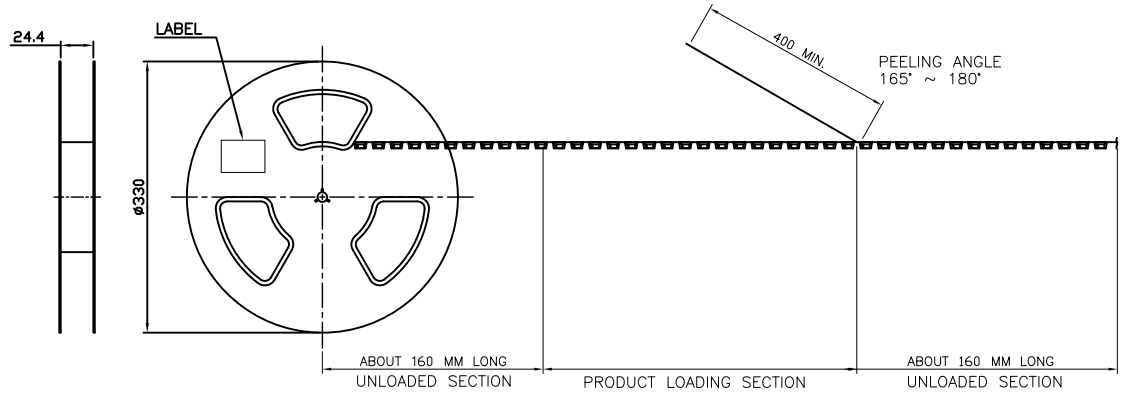
Superior Tech Co., Ltd.

General Tolerance		TITLE		PH0.8 BTOB H1.55 Male	
X. ± 0.5		DRAWN		DATE	
.X ± 0.3		Tom		08-06-14'	
.XX ± 0.2		CHECK		DATE	
.XXX ± 0.1		APPROVED		DATE	
Angle ± 5°				NO. 002	
				PART NO. BBCA-012G1155NWLI-B	
				CUSTOMER NO. DK	

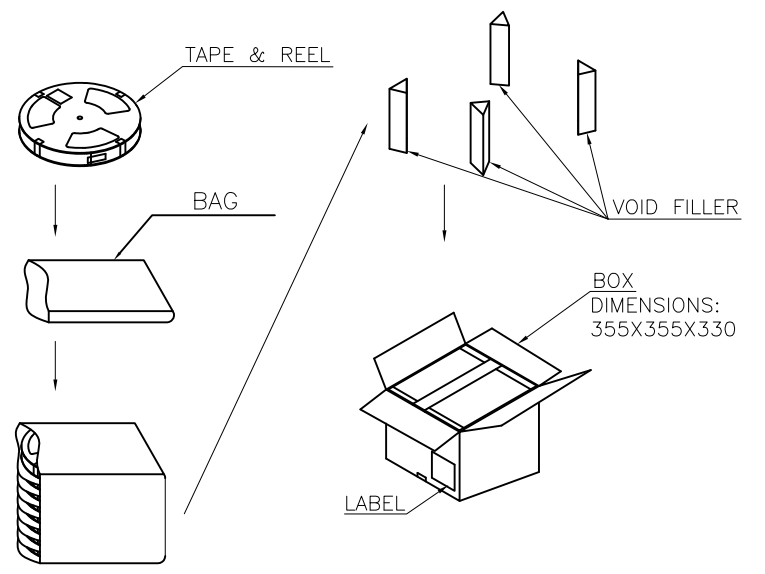
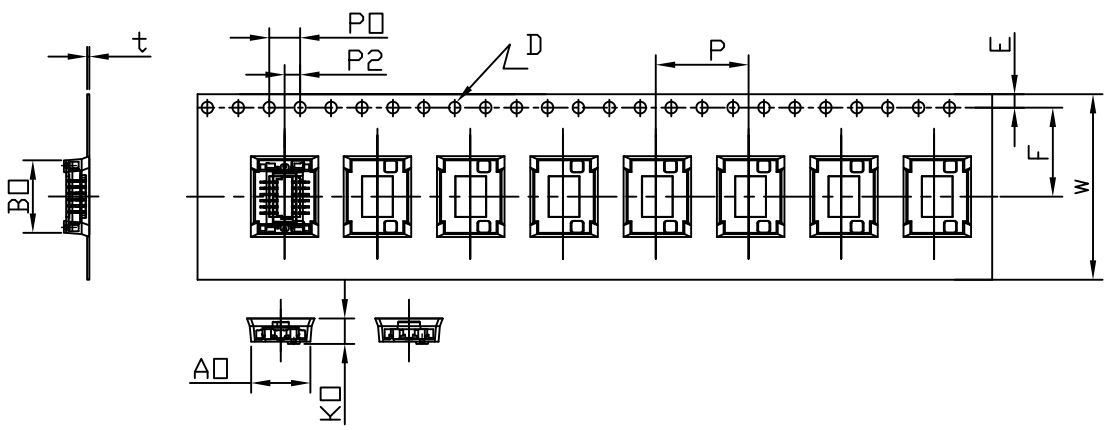
REV.	UNIT	SCALE	
A	mm	1:1	

(Q2-R03-01A) ST-R05-07

REV.	DESCRIPTION	DATE
A	New Drawing	2018/12/21



USER DIRECTION OF UNREELING →



Note:
 1.All dimensions meet EIA-481-C requirements.
 2.Thickness : 0.3±0.05mm

ITEM	W	A ₀	B ₀	K ₀	P	T
DIM	24.0 ^{+0.30} / _{-0.30}	7.66±0.1	9.38±0.1	3.30±0.1	12.00±0.1	0.30±0.05
ITEM	F	E	D ₀	P ₀	P ₂	
DIM	11.50±0.15	1.75±0.1	1.50 ^{+0.10} / _{-0.00}	4.00±0.1	2.0±0.15	

PIN No.	PCS/R	R/CTN
12PIN	1500 PCS	11 R

Superior Tech Co., Ltd.		General Tolerance		TITLE BACA-012G1140NWLI-B & BBCA-012G1155NWLI-B_Packing					
		X. ± 0.5		DRAWN Tom	DATE 2018/12/21	NO. 002			
REV. A		UNIT mm		SCALE 1:1		CHECK		PART NO. BACA-012G1140NWLI-B/ BBCA-012G1155NWLI-B	
						APPROVED		DATE	
				Angle ± 5°					

(Q2-R03-01A) ST-R05-07