

CABLE 385 RF: I-PEX MHF 4L PLUG TO SMA STRAIGHT BULKHEAD JACK WITH O-RING RATED IP67/68 TO MULTIPLE CABLE SIZES, 6GHz

SPECIFICATIONS :

- I-PEX MHF 4L PLUG, P/N:  
FOR  $\phi 1.13\text{MM}$  CABLE: 20565-001R-13.  
FOR  $\phi 1.37\text{MM}$  LL CABLE: 20632-001R-37.
- COAXIAL CABLE, SEE P/N OPTIONS FOR DETAIL.
- SMA STRAIGHT BULKHEAD JACK WITH O-RING RATED TO IP67/68, P/N: RFCT-SMA069-F78.

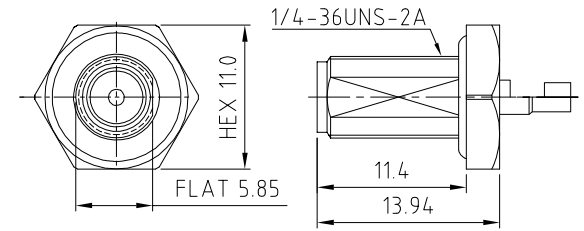
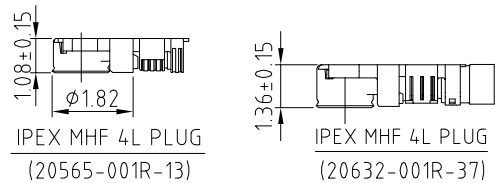
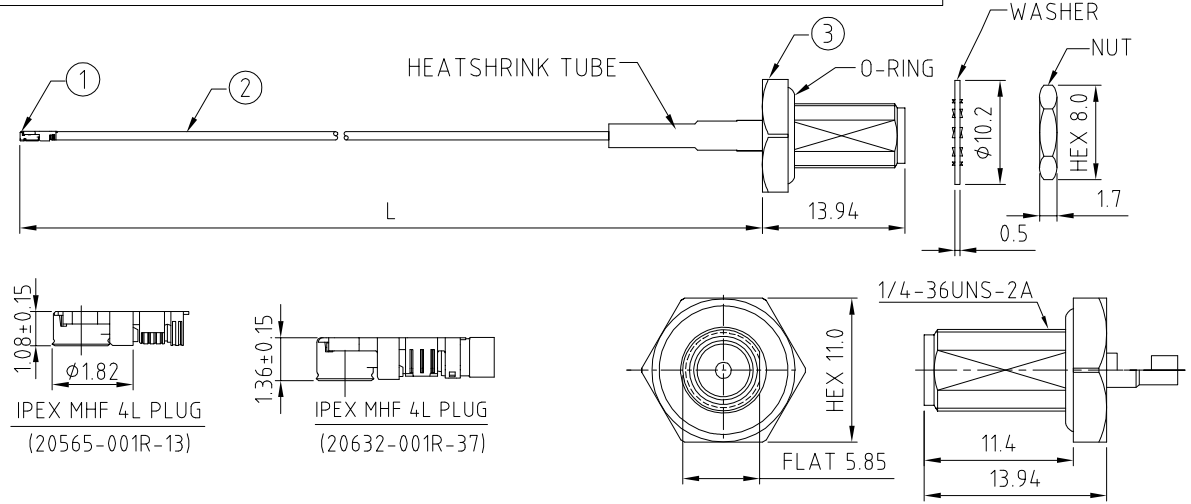
**USAGE PRECAUTIONS: CABLES USING 'MICRO' COAX ARE DELICATE:**  
 (i) HANDLE WITH CARE.  
 (ii) DO NOT TWIST; APPLY EXCESSIVE FORCES OR SHARP BENDS TO THE CABLE. DO NOT FORCEFULLY DEFORM WIRES.  
 (iii) CONSULT CONNECTOR MANUFACTURER'S DATASHEETS FOR DETAILED NOTES ON HANDLING INSTRUCTIONS.

ENVIRONMENTAL:

- A. BULKHEAD MOUNTED CONNECTOR (RFCT-SMA069-F78) RATED TO THE FOLLOWING SPECIFICATION:
- IP6X - DUST TIGHT - NO PARTICLE INGRESS.
  - IPX7 WATERPROOF FOR 30 MINUTES UP TO 1 METER UNDERWATER.
  - IPX8 WATERPROOF FOR 48 HOURS AT 1 METER UNDERWATER.

NOTES:

- THE ORIENTATION OF CONNECTORS ON DRAWING IS FOR REFERENCE ONLY, IF THE ORDER IS LEFT BLANK THE CONNECTOR WILL NOT HAVE FIXED ORIENTATION.
- FIXED ORIENTATION IS SUGGESTED FOR CABLE LENGTH 50MM TO 100MM. PLEASE SPECIFY THE FIXED ORIENTATIONS FROM THE ORDER CODE (F1, F2, ETC)
- CONTACT GRADCONN IF THE ORIENTATION YOU REQUIRE IS NOT SHOWN.
- WORKING FREQUENCY RANGE: DC-6GHz.
- OPERATING TEMPERATURE:  $-40^{\circ}\text{C} \sim +85^{\circ}\text{C}$ .
- IMPEDANCE: 50 Ohm.



HOW TO ORDER

CABLE 385 RF - X X X - X X - X - X - X

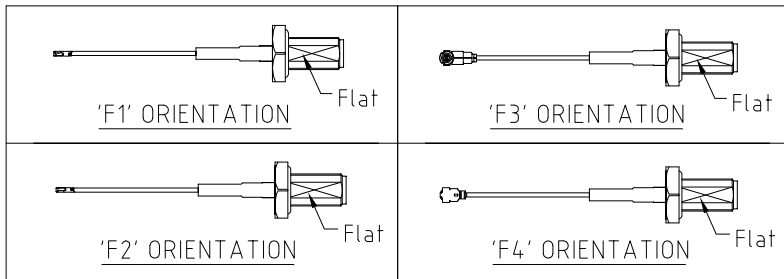
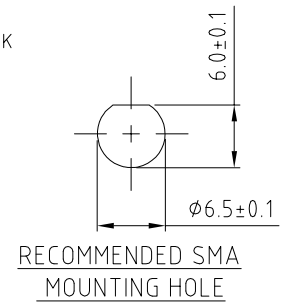
"L" LENGTH IN MM:  
 eg: 100MM = 100  
 (MIN. 050-MAX 400  
 STANDARD = 100, 150, 200)  
 Tolerance: 50-200mm:  $\pm 5\text{mm}$ .  
 201-400mm:  $\pm 7\text{mm}$ .

HEAT SHRINK TUBE COLOR:  
 BLANK = BLACK (STANDARD)  
 Y = YELLOW

CABLE SIZE:  
 2 =  $\phi 1.13\text{MM}$  CABLE, COLOR: BLACK  
 3 =  $\phi 1.37\text{MM}$  LOW LOSS CABLE, COLOR: BLACK

WASHER AND NUT OPTIONS:  
 BLANK = SEPARATELY PACKED (STANDARD)  
 A = ASSEMBLED WITH CONNECTOR

ORIENTATION OPTIONS:  
 BLANK = DOES NOT HAVE A FIXED ORIENTATION  
 F1 = MHF CONNECTION DOWN (L=50-200MM)  
 F2 = MHF CONNECTION UP (L=50-200MM)  
 F3 = MHF CONNECTION AND D FLAT SAME ORIENTATION (L=50-200MM)  
 F4 = MHF CONNECTION AND D FLAT OPPOSITE ORIENTATION (L=50-200MM)  
 (SEE NOTES 1, 2, 3 AND DIAGRAMS FOR MORE INFORMATION)



REV. DATE & DRN	10. 10/03/20 - NYW RELEASE
	11. 08/04/20 - NYW REMOVE 081 CABLE OPTION. ADD 113 CABLE OPTION.
	12. 20/04/20 - CC. ADD HEATSHRINK TUBE COLOR OPTIONS.
	13. 28/04/20 - NY ADD NOTE 7.
	14. 24/07/20 - NYW REMOVE NOTE 7.
	15. 30/08/22 - NYW ADD CABLE SIZE OPTION 3.
	16. 22/02/23 - NYW ADD 20632-001R-37 DRAWING.

Scale: NTS	THIRD ANGLE	Unstated X XX XXX ANGLES	Tolerances: N/A N/A N/A N/A
Drawn: NYW			
App'd: XXX	Title CABLE ASSEMBLY		
Date: 22 FEB. '23	Revision: 16	Unit: mm	



IP67/68 Rated Cables  
 www.gradconn.com  
 THIS DRAWING IS CONFIDENTIAL AND MUST NOT BE COPIED OR DISCLOSED WITHOUT WRITTEN CONSENT

Type: Cable 385 RF
CABLE 385 RF
Drawing Number:
Sheet 1 of 1
Drawing © E and O E