



## Specifications

Electrical Ratings	50mA @ 50VDC	Dielectric Strength	250Vrms min
Electrical Life	100,000 cycles typical	Insulation Resistance	>100MΩ min
Contact Resistance	<50mΩ initial	Operating Temperature	-40°C to 85°C
Actuation Force	180 ± 50gF	Storage Temperature	-40°C to 85°C
Actuation Travel	.30 ± .1mm		

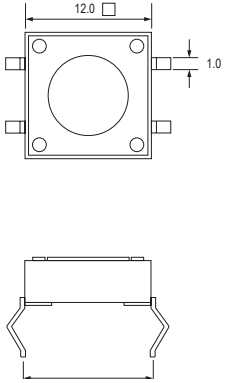
## Materials

Actuator	6/6 Nylon
Housing	6/6 Nylon
Cover	Stainless Steel
Contacts	Phosphor Bronze, Silver Plated
Terminals	Brass, Silver Plated

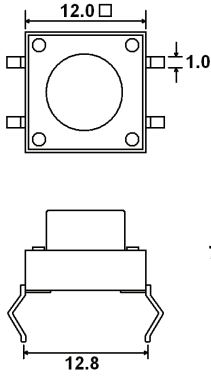
## Ordering Information

1. Series	CT1103	G	F180	C141
CT1103				
2. Actuator Options				
A				
B				
C				
T				
G				
E				
3. Actuation Force:	F180 = 180gF			
4. Cap	C19	Cap Colors:		
C11	C22	**See Cap Options for color availability		
C12	C26	**Caps available with G actuator only		
C13				
C16				
C18				

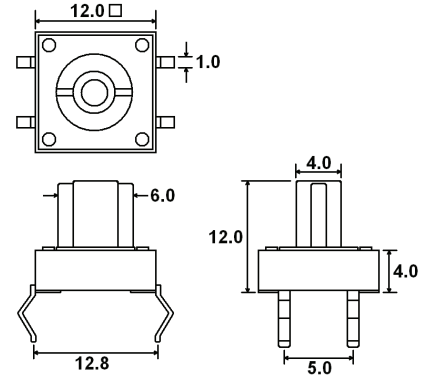
### Dimensions



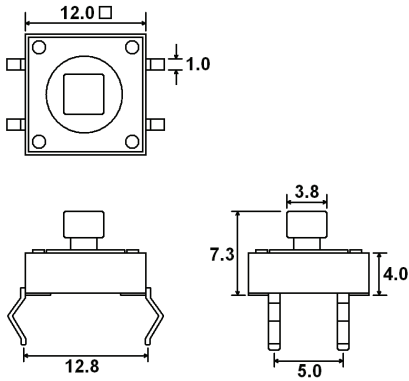
**CT1103A**



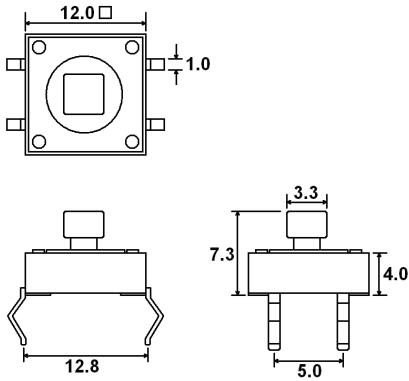
**CT1103B**



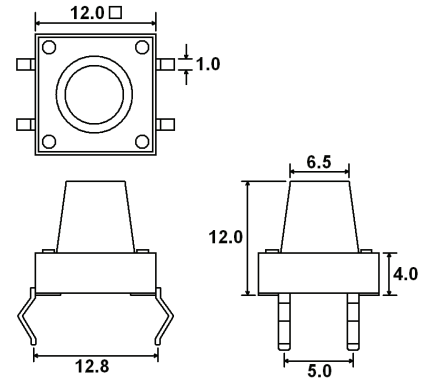
**CT1103C**



**CT1103T**

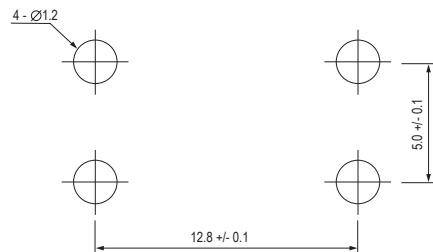
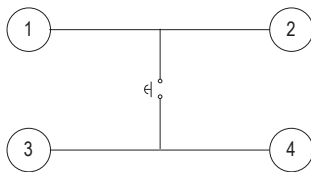


**CT1103G**

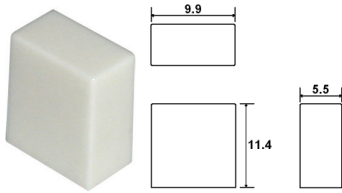


**CT1103E**

### Schematic & PC Layout

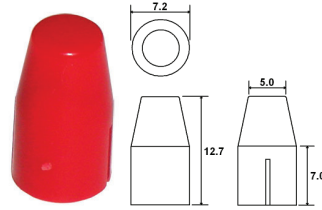


**Cap Options for G Actuator**



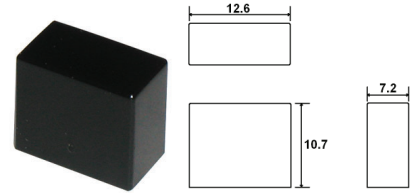
**C11\_**

1 = White, 2 = Black, 3 = Red, 9 = Light Gray  
Contact Factory for other available colors



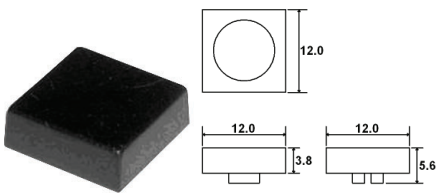
**C12\_**

1 = White, 2 = Black, 3 = Red, 9 = Light Gray  
Contact Factory for other available colors



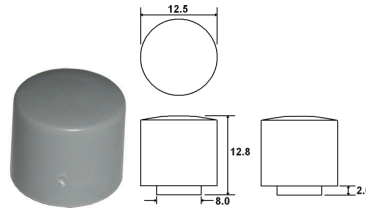
**C13\_**

1 = White, 2 = Black, 3 = Red, 9 = Light Gray  
Contact Factory for other available colors



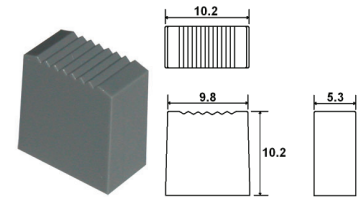
**C16\_**

1 = White, 2 = Black, 3 = Red, 7 = Blue  
Contact Factory for other available colors



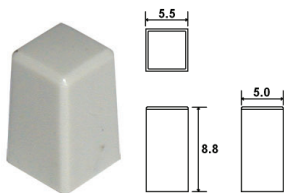
**C18\_**

1 = White, 2 = Black, 3 = Red, 9 = Light Gray  
Contact Factory for other available colors



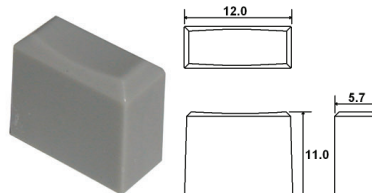
**C19\_**

1 = White, 2 = Black, 3 = Red, 8 = Dark Gray  
Contact Factory for other available colors



**C22\_**

2 = Black, 8 = Dark Gray, 9 = Light Gray  
Contact Factory for other available colors



**C26\_**

1 = White, 2 = Black, 3 = Red, 9 = Light Gray  
Contact Factory for other available colors

1 = White, 2 = Black, 3 = Red, 9 = Light Gray  
Contact Factory for other available colors