

This document is the property of Amphenol Corporation and is delivered on the express condition that it is not to be disclosed, reproduced or used, in whole or in part, for manufacture or sale by anyone other than Amphenol Corporation without its prior consent, & that no right is granted to disclose or to use any information in this document.

REVISIONS				
SYM	ECN	DESCRIPTION	DATE	APPROVED
A			09/19/07	

D-SUB TECHNICAL DATA

MATERIAL:

- screwlock: steel,100u" min sn over
- washer: steel,100u" min sn over 50u"
- lock washer: steel,100u" min sn over 50u"
- nut: steel,100u" min sn over 50u"

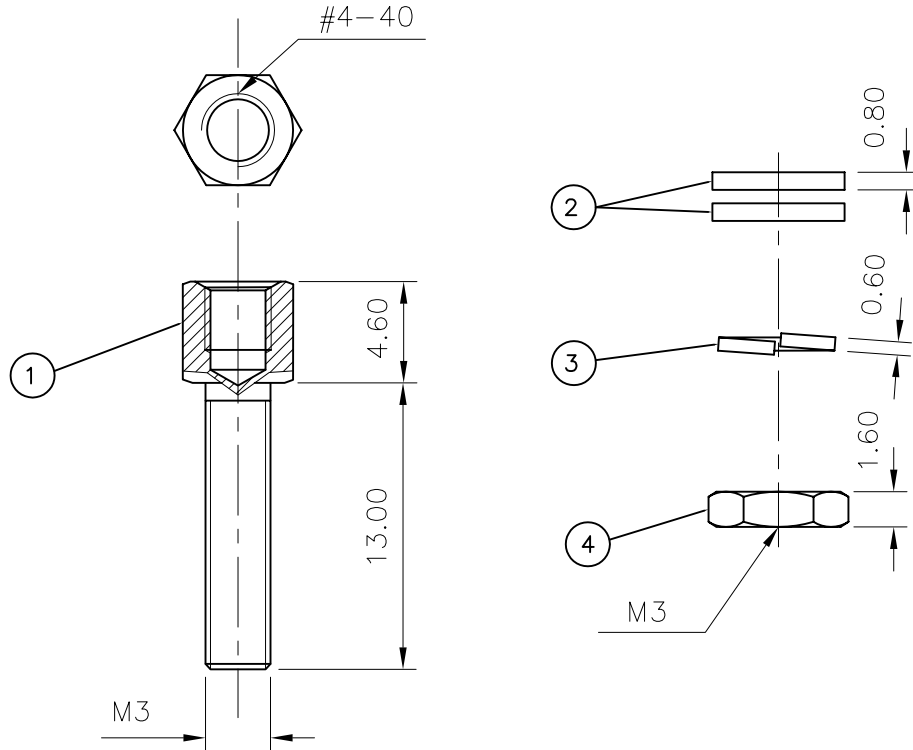
PACKAGE:

delivered separately

1 P/N = 10sets

MARKING:

Amphenol...(Series No.) Commercial reference
Manufacturing date



- ① SCREW
- ② WASHERS
- ③ LOCK WASHER
- ④ NUT



UNLESS OTHERWISE SPECIFIED TOLERANCES U.S. METRIC .X +/- 0.50 .XX +/- 0.30 .XXX +/- 0.20 FRACTIONS +/- ANGLES +/- 2°	APPROVAL		DATE	Amphenol TITLE Accessory, screwlock with nut and washes
	DRAWN	Christian.cui	09/19/07	
	CHECKED	Wk.wang	09/19/07	
	CHECKED			
FOR MATERIALS AND FINISHES SEE NOTES	DRAWING FILE :			SIZE DRAWING NO. REV. A4 C L17D204182LM3EX A
REMOVE SHARP EDGES	ANGLE OF PROJECTION			
DIMENSIONS				
U.S. INCHES	METRIC MM			SCALE NONE SHEET 1 OF 1