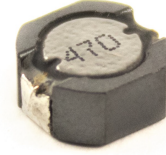
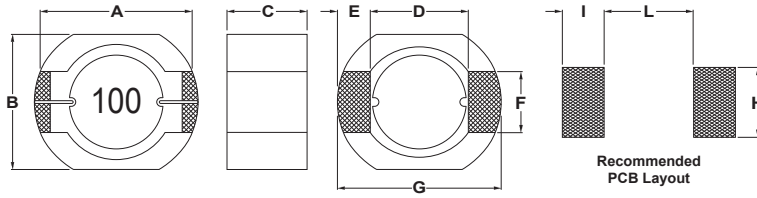


SMD Shielded Power Inductor

PCS7040

Dimensions: <sup>inch</sup>/<sub>(mm)</sub>



A	B	C	D	E	F	G	L	I	H
.295±.012 (7.5±0.3)	.291±.012 (7.4±0.3)	.156 (4.0) Max	.220 (5.6)	.047 (1.2)	.098 (2.5)	.362 (9.2) Max	.213 (5.4)	.059 (1.5)	.110 (2.8)

Allied Part Number	Inductance (μH)	Tolerance (±%)	Test Frequency KHz	DCR (mΩ) Max.	Isat (A)		Irms (A)
					Typ.	Max.	
PCS7040-1R0N-RC	1.0	30	100	6.38	12.0	8.00	9.00
PCS7040-1R5N-RC	1.5	30	100	8.64	10.0	7.00	8.00
PCS7040-1R8N-RC	1.8	30	100	9.60	8.60	6.50	7.92
PCS7040-2R5N-RC	2.5	30	100	13.6	7.20	4.80	7.40
PCS7040-3R3N-RC	3.3	30	100	17.8	6.80	3.90	6.70
PCS7040-4R7M-RC	4.7	20	100	26.2	4.60	3.50	4.90
PCS7040-5R6M-RC	5.6	20	100	29.0	4.10	3.30	4.60
PCS7040-6R8M-RC	6.8	20	100	34.0	3.90	3.20	3.90
PCS7040-100M-RC	10	20	100	55.6	3.40	2.50	3.25
PCS7040-150M-RC	15	20	100	74.4	3.00	2.10	2.70
PCS7040-220M-RC	22	20	100	98.1	2.40	1.70	2.40
PCS7040-330M-RC	33	20	100	140	2.00	1.40	1.90
PCS7040-470M-RC	47	20	100	217	1.70	1.20	1.48
PCS7040-560M-RC	56	20	100	260	1.50	1.00	1.33
PCS7040-680M-RC	68	20	100	310	1.36	0.95	1.20
PCS7040-820M-RC	82	20	100	360	1.20	0.90	1.12
PCS7040-101M-RC	100	20	100	480	1.12	0.85	0.95
PCS7040-121M-RC	120	20	100	560	1.00	0.75	0.98
PCS7040-151M-RC	150	20	100	710	0.92	0.65	0.82

All specifications subject to change without notice.

Features

- Low Profile
- Magnetically shielded construction for power circuits using metallic magnetic material
- Suitable for pick and place
- RoHS Compliant & Halogen free

Electrical

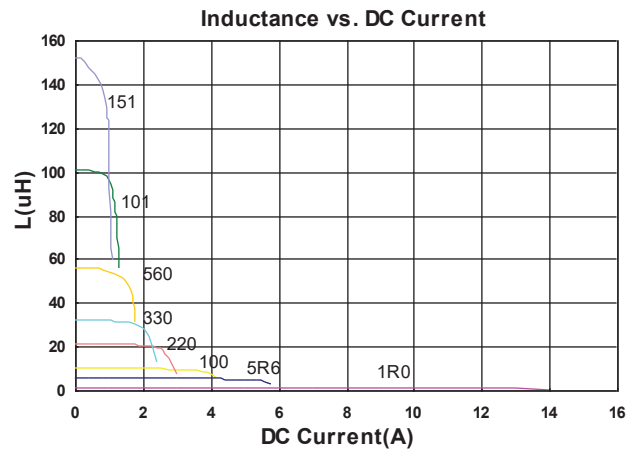
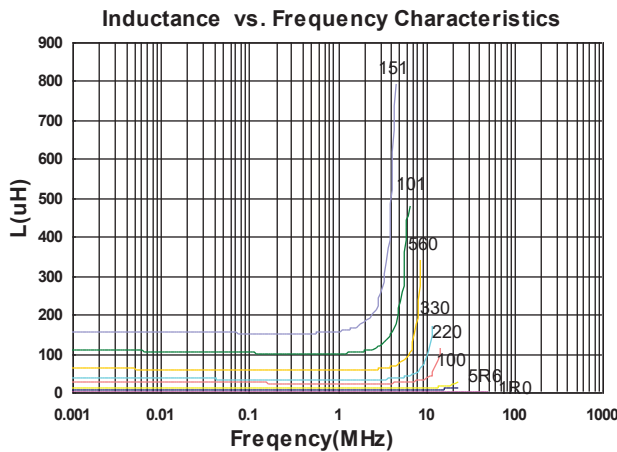
**Inductance Range:** 1.0μH to 150μH  
**Tolerance:** ±30% for values 1.0μH to 3.3μH, ±20% for values 4.7μH to 150μH  
**Test Frequency:** 1MHz/1V  
**Operating Temp:** -40°C to ±105°C  
**Isat:** Inductance change ΔL/LO: <30%  
**Irms:** Temperature rise ΔT=40°C from 25°C ambient temp.

Test Equipment

**Inductance:** HP4284A + Agilent 16334A  
**DCR:** Chroma 16502  
**Isat:** HP4284A+HP42841A or WK3260B+WK3265B  
**Irms:** Agilent 6641 System DC Power Supply

Physical

**Packaging:** 1000 pcs per 13 inch reel

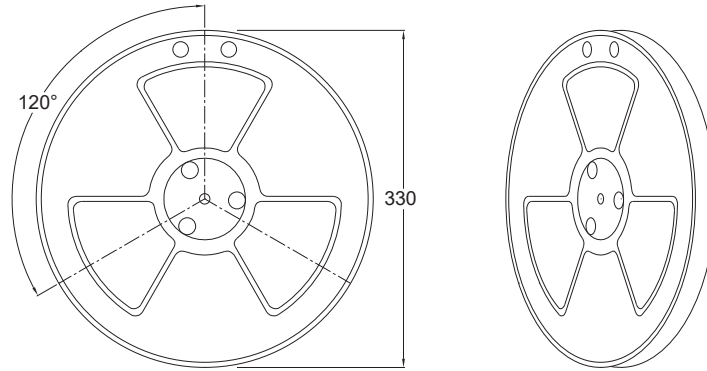




Packaging Information

Dimensions: mm

Reel Dimension



Type	A(mm)	B(mm)	C(mm)	D(mm)
330x16mm	16.4+2/-0	80±2.0	13+0.5/-0.2	330±3.0

Tape Dimension

