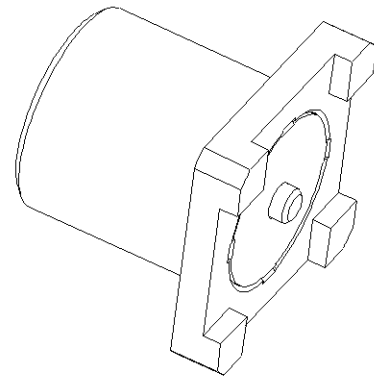
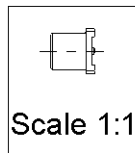
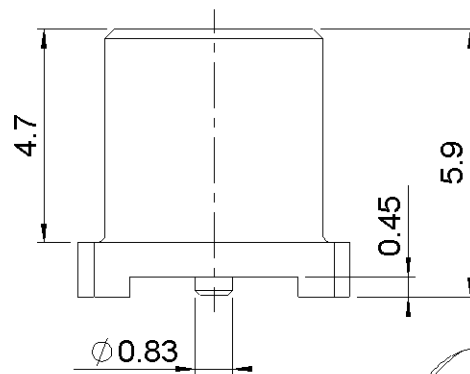
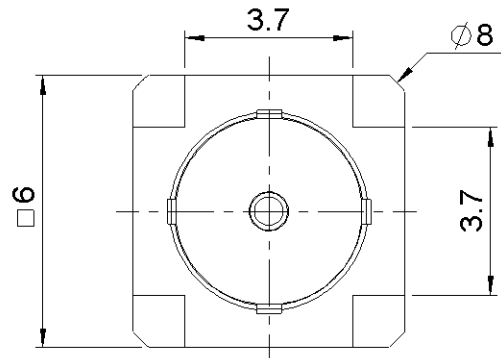
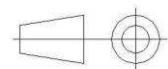


PAGE 1/5	ISSUE 1425B	SERIES MCX 75	PART NUMBER R213424800
----------	-------------	---------------	------------------------



All dimensions are in mm.



COMPONENTS	MATERIALS	PLATING (μm)
Body	<b>BRASS</b>	<b>GOLD OVER NICKEL</b>
Center contact	<b>BERYLLIUM COPPER</b>	<b>GOLD OVER NICKEL</b>
Outer contact	-	-
Insulator	<b>PEEK</b>	-
Gasket	-	-
Others parts	-	-
-	-	-
-	-	-

PAGE 2/5	ISSUE 1425B	SERIES MCX 75	PART NUMBER R213424800
----------	-------------	---------------	------------------------

**PACKAGING**

Standard	Unit	Other
100	Contact us	Contact us

**ELECTRICAL CHARACTERISTICS**

Impedance		<b>75</b>	Ω
Frequency		<b>0-6</b>	GHz
VSWR	<b>1.25</b>	<b>+</b>	<b>0.0000</b> x F(GHz) Maxi
Insertion loss		<b>0.1</b>	√F(GHz) dB Maxi
RF leakage	- (	<b>NA</b>	- F(GHz)) dB Maxi
Voltage rating		<b>335</b>	Veff Maxi
Dielectric withstanding voltage		<b>1000</b>	Veff mini
Insulation resistance		<b>1000</b>	MΩ mini

**ENVIRONMENTAL**

Operating temperature	<b>-55/+155</b>	°C
Hermetic seal	<b>NA</b>	Atm.cm3/s
Panel leakage	<b>NA</b>	

**MECHANICAL CHARACTERISTICS**

**SPECIFICATION**

Center contact retention			
Axial force – Mating End		<b>10</b>	N mini
Axial force – Opposite end		<b>10</b>	N mini
Torque		<b>NA</b>	N.cm mini

**OTHER CHARACTERISTICS**

Recommended torque			
Mating		<b>NA</b>	N.cm
Panel nut		<b>NA</b>	N.cm

Assembly instruction:

Mating life		<b>500</b>	Cycles mini
Weight		<b>0.5300</b>	g

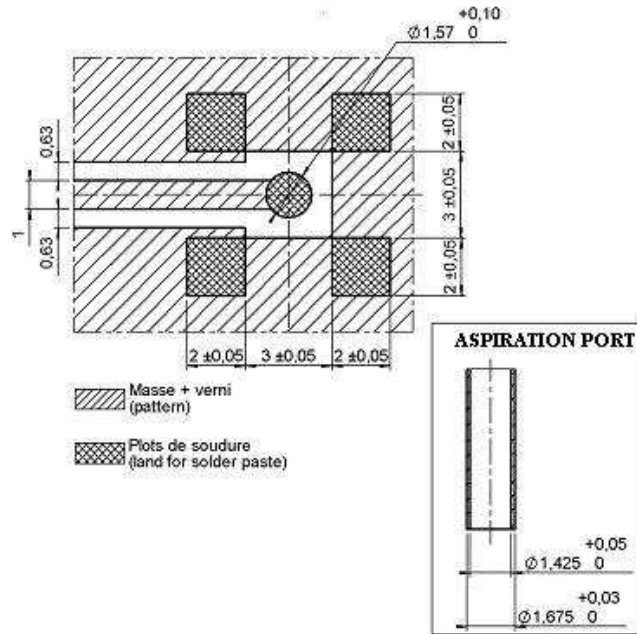
Others:

-

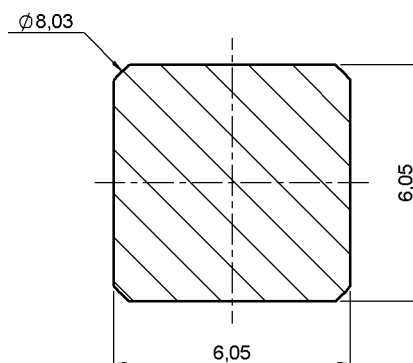
PAGE 3/5	ISSUE 1425B	SERIES MCX 75	PART NUMBER R213424800
----------	-------------	---------------	------------------------

**MCX SERIES - INFORMATION**

Coplanar line : pattern and signal are on the same side . Thickness of PCB :.064(1.6mm)  
 The material of PCB is the epoxy resin of glass fabrics bacs . (Er = 4.8) . The solder resist should be printed except for the land pattern on the PCB .



**SHADOW OF MCX RECEPTACLE FOR VIDEO CAMERA**

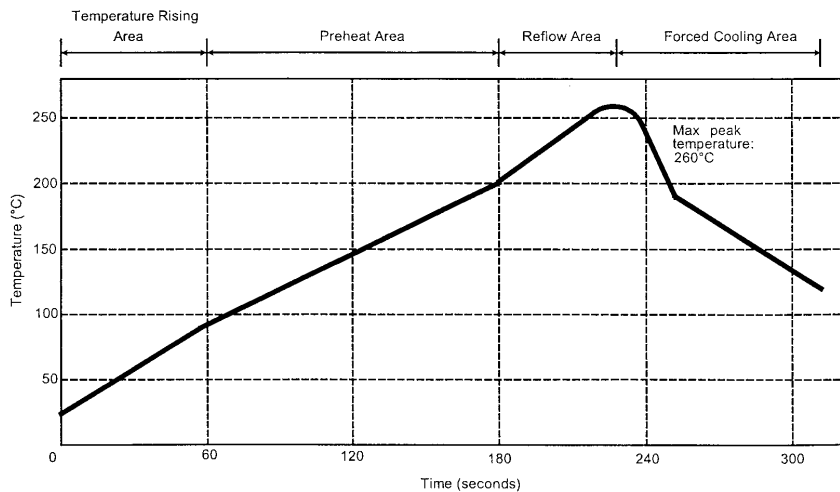


PAGE 4/5	ISSUE 1425B	SERIES MCX 75	PART NUMBER R213424800
----------	-------------	---------------	------------------------

## SOLDER PROCEDURE

- Deposition of solder paste 'Sn Ag4 Cu0.5' on mounting zone by screen printing application. We recommend a low residue flux. We advise a thickness of 150 microns ( 5.9 microinch ). Verify that the edges of the zone are clean.
- Placement of the receptacle on the mounting zone with an automatic machine of 'pick and place' type. Video camera is recommended for the positioning of the component. Adhesive agents must not be used on the receptacle.
- Soldering by infra-red reflow. Below, please find the typical profile to use.
- Cleaning of printed circuit boards.
- Checking of solder joints and position of the component by visual inspection.

## TEMPERATURE PROFILE



Parameter	Value	Unit
Temperature rising Area	1 - 4	°C/sec
Max Peak Temperature	260	°C
Max dwell time @260°C	10	sec
Min dwell time @235°C	20	sec
Max dwell time @235°C	60	sec
Temperature drop in cooling Area	-1 to - 4	°C/sec
Max dwell time above 100°C	420	sec

PAGE 5/5	ISSUE 1425B	SERIES MCX 75	PART NUMBER R213424800
----------	-------------	---------------	------------------------

