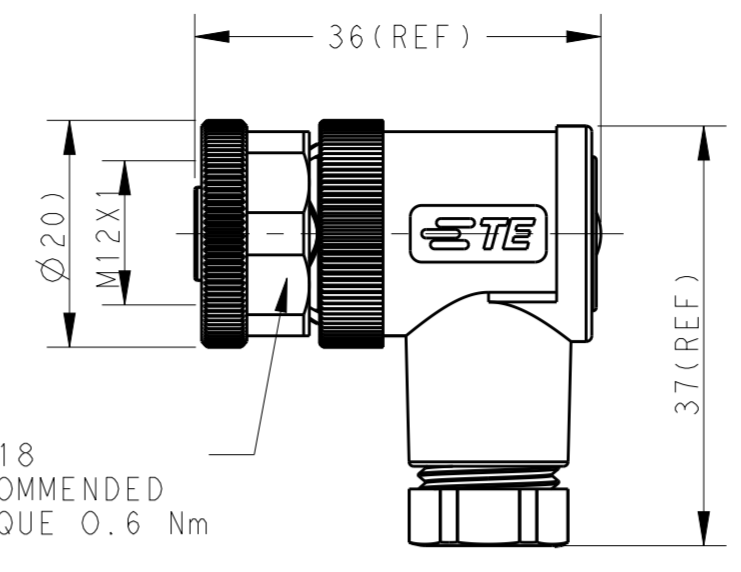
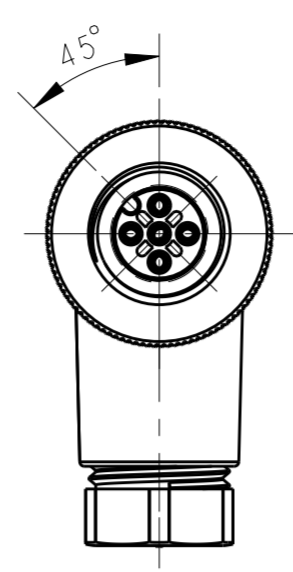


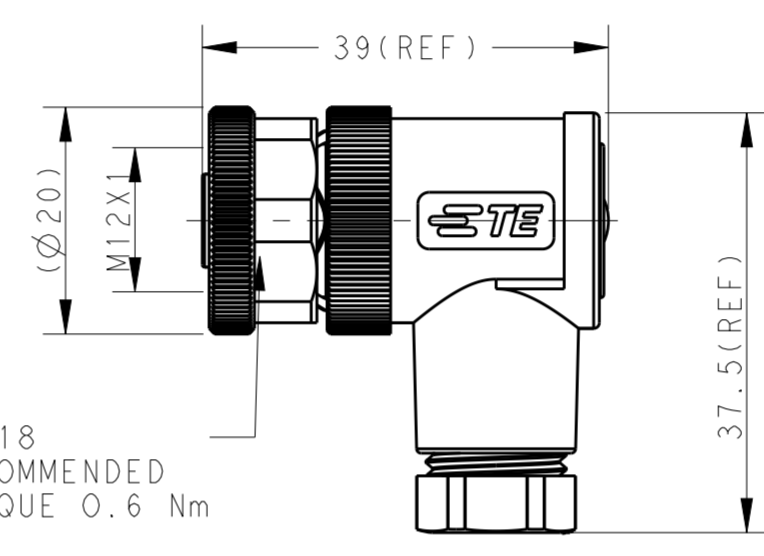
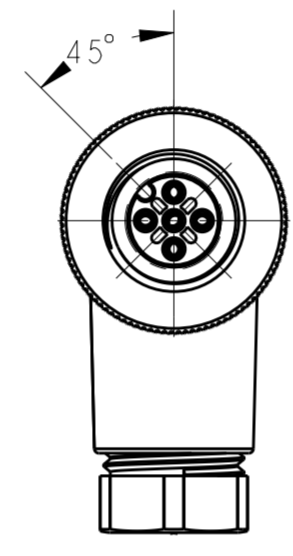
THIS DRAWING IS UNPUBLISHED. RELEASED FOR PUBLICATION 20
 © COPYRIGHT 20 BY - ALL RIGHTS RESERVED.

REVISIONS				
P	LTR	DESCRIPTION	DATE	APVD
A		INITIAL RELEASE	29JUL2015	NP XX
A1		ECR-15-018715 ADD 114 SPEC.	29DEC2015	NP XX
A2		ECR-20-012708 ADD MODEL PG9	22SEP2020	S.C C.W



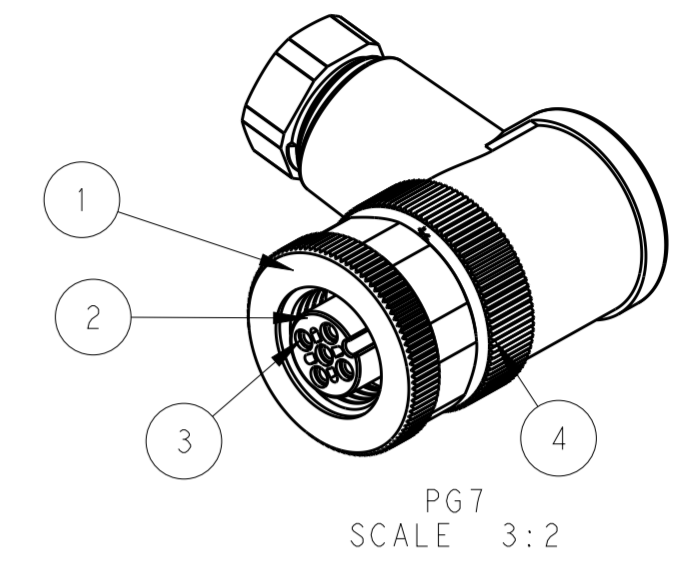
SW18
RECOMMENDED
TORQUE 0.6 Nm

PG7
SCALE 3:2

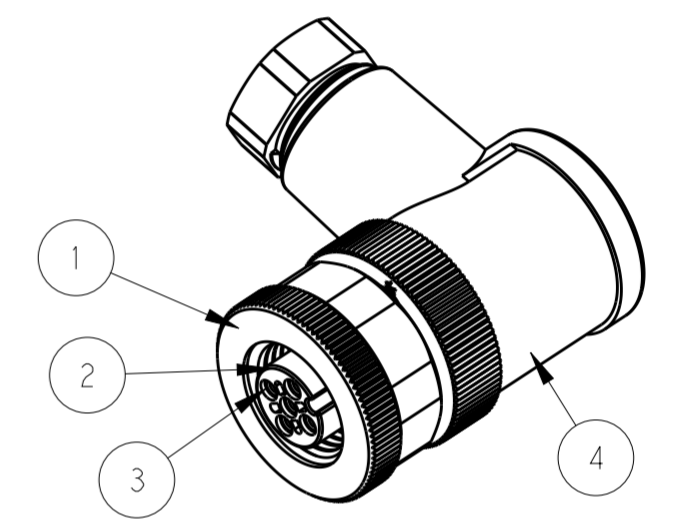


SW18
RECOMMENDED
TORQUE 0.6 Nm

PG9
SCALE 3:2



PG7
SCALE 3:2



PG9
SCALE 3:2

NOTE:

- MATERIAL:
 ITEM NO.1:NUT -BRASS
 ITEM NO.2:HOUSING -PA
 ITEM NO.3:CONTACT -BRONZE
 ITEM NO.4: HOUSING BODY: -PBT+GF
- CONTACT FINISH:
 GOLD OVER NICKEL OR SILVER OVER NICKEL
- CABLE WIRES:
 18AWG/0.75mm² Max. FOR 2-5 PINS
 20AWG/0.50mm² Max. FOR 8 PINS
- ALLDIMENSIONS ARE FOR NOMINAL REFERENCE ONLY UNLESS OTHERWISE STATED
- PACKAGEING: IPIECE IN A BAG
- PN INFORMATION

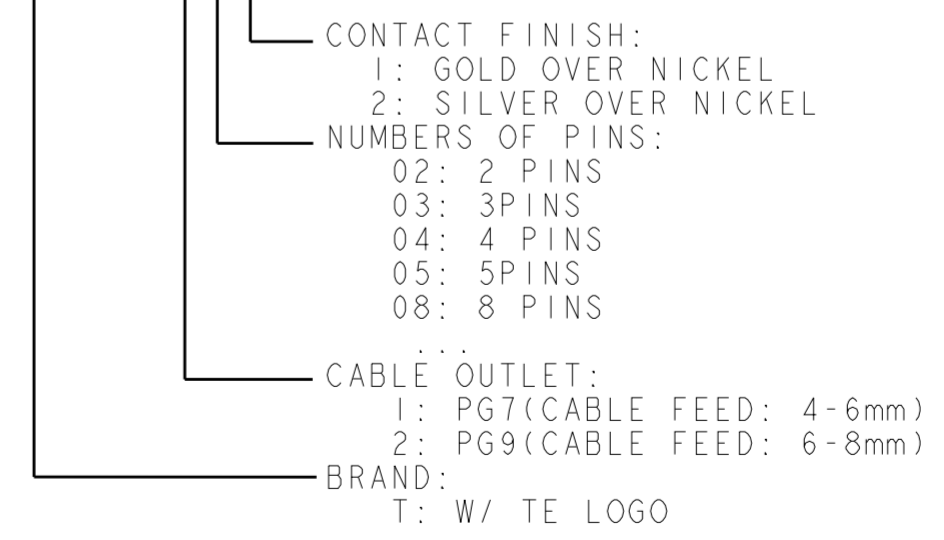
TECHNICAL DATA	T411200X02X-000	T411200X03X-000	T411200X04X-000	T411200X05X-000	T411200X08X-000
RATED VOLTAGE	250V	250V	250V	60V	30V
RATED CURRENT	4A	4A	4A	4A	2A
POLLUTION DEGREE	3	3	3	3	3
OVERVOLTAGE CATEGORY	II	II	II	II	II
MATERIAL GROUP	II	II	II	II	II
CONTACT RESISTANCE	≤8mΩ	≤8mΩ	≤8mΩ	≤8mΩ	≤8mΩ
INSULATION RESISTANCE	>100MΩ	>100MΩ	>100MΩ	>100MΩ	>100MΩ
DEGREE OF PROTECTION	IP67	IP67	IP67	IP67	IP67
OPERATION TEMPERATURE	-40~85°C	-40~85°C	-40~85°C	-40~85°C	-40~85°C

PIN ARRANGEMENT
A-CODE

T411200X02X-000	T411200X03X-000	T411200X04X-000

TE PN	TYPE
T4112002081-000	RPC-M12-FR-8CON-PG9-MU
T4112002081-000	RPC-M12-FR-8CON-PG7-MU
T4112002082-000	RPC-M12-FR-8CON-PG9-M
T4112001082-000	RPC-M12-FR-8CON-PG7-M
T4112002051-000	RPC-M12-FR-5CON-PG9-MU
T4112001051-000	RPC-M12-FR-5CON-PG7-MU
T4112002052-000	RPC-M12-FR-5CON-PG9-M
T4112001052-000	RPC-M12-FR-5CON-PG7-M
T4112002041-000	RPC-M12-FR-4CON-PG9-MU
T4112001041-000	RPC-M12-FR-4CON-PG7-MU
T4112002042-000	RPC-M12-FR-4CON-PG9-M
T4112001042-000	RPC-M12-FR-4CON-PG7-M
T4112002031-000	RPC-M12-FR-3CON-PG9-MU
T4112001031-000	RPC-M12-FR-3CON-PG7-MU
T4112002032-000	RPC-M12-FR-3CON-PG9-M
T4112001032-000	RPC-M12-FR-3CON-PG7-M
T4112002021-000	RPC-M12-FR-2CON-PG9-MU
T4112001021-000	RPC-M12-FR-2CON-PG7-MU
T4112002022-000	RPC-M12-FR-2CON-PG9-M
T4112001022-000	RPC-M12-FR-2CON-PG7-M

T411200XXXX-000



THIS DRAWING IS A CONTROLLED DOCUMENT.		DWN HAO WANG 08JAN2015	TE Connectivity
		CHK KOBBY ZHAO 08JAN2015	
		APVD XIANG XU 08JAN2015	NAME M12 FEMALE, A CODE, RA UNSHIELDED CONNECTOR SCREW TERMINAL
DIMENSIONS: mm		TOLERANCES UNLESS OTHERWISE SPECIFIED: 0 PLC ±0.2 1 PLC ±0.2 2 PLC ±0.2 3 PLC ± 4 PLC ± ANGLES ± FINISH	PRODUCT SPEC 108-106140
MATERIAL			APPLICATION SPEC 114-137144
			RESTRICTED TO
		CUSTOMER DRAWING	SCALE 2:1 SHEET 1 OF 1 REV A2