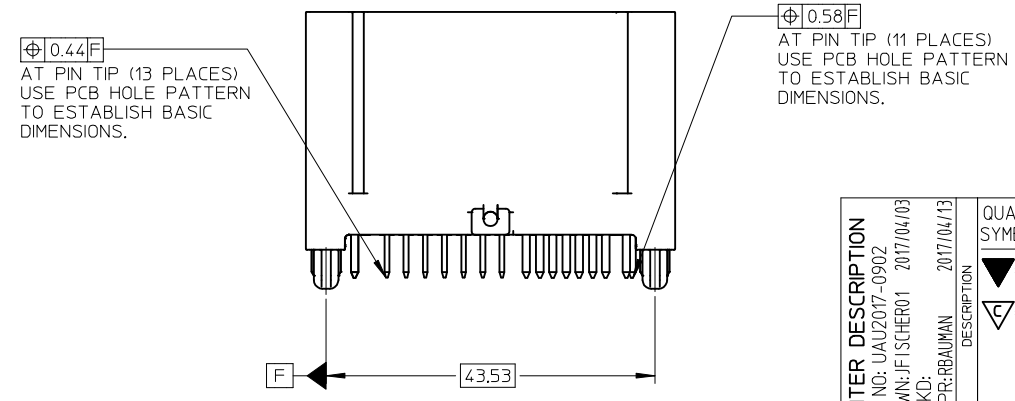
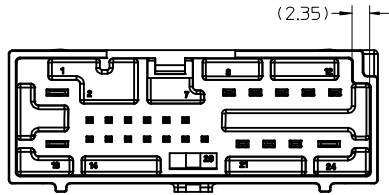


- NOTES:
- MATERIAL: HOUSING: SPS, GLASS FILLED, COLOR: SEE CHART. TERMINAL: COPPER ALLOY C26000. PIN ALIGNMENT PLATE: MYLAR, COLOR: NATURAL (WHITE).
  - FINISHES: TERMINAL: TIN (Sn) OVERALL; NICKEL (Ni) UNDERPLATE OVERALL.
  - PACKAGING SPECIFICATION : TRAY: PK-30907-261, TUBE: PK-30907-226
  - MATES WITH: SERIES 30700, SEE SALES DRAWING SD-30700-124.
  - DATECODE DESCRIPTION:
    - 1ST DIGIT: MACHINE ID# (ALWAYS WILL BE '2')
    - 2ND THROUGH 4TH DIGIT: DAY# OF THE CALENDAR YEAR (EXAMPLE: FEB. 3RD = '034')
    - 5TH DIGIT: LAST DIGIT OF THE CALENDAR YEAR (EXAMPLE: 1999 = '9')
    - 6TH THROUGH 7TH DIGIT: HOUR OF THE DAY.
  - RECOMMENDED OPTIONAL SCREW: M2 x 0.89, 6mm IN LENGTH, PAN COLLAR HEAD, 6 LOBE. TORQUE: 7 NEWTON CENTIMETERS

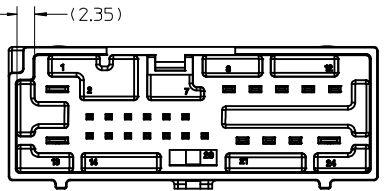


<b>ENTER DESCRIPTION</b> EC NO: UAU2017-0902 DRWN: JFSCHER01 2017/04/03 CHKD: APPR: RBAUMAN 2017/04/13 F3	QUALITY SYMBOLS $\nabla=0$ $\nabla=0$	GENERAL TOLERANCES (UNLESS SPECIFIED) <table border="1"> <tr> <th></th> <th>mm</th> <th>INCH</th> </tr> <tr> <td>4 PLACES</td> <td>± 0.25</td> <td>± 0.010</td> </tr> <tr> <td>3 PLACES</td> <td>± 0.25</td> <td>± 0.010</td> </tr> <tr> <td>2 PLACES</td> <td>± 0.13</td> <td>± 0.005</td> </tr> <tr> <td>1 PLACE</td> <td>± 0.25</td> <td>± 0.010</td> </tr> </table>		mm	INCH	4 PLACES	± 0.25	± 0.010	3 PLACES	± 0.25	± 0.010	2 PLACES	± 0.13	± 0.005	1 PLACE	± 0.25	± 0.010	DIMENSION STYLE <b>MM ONLY</b> DRAWN BY: RCARLSON CHECKED BY: CKRISHNA APPROVED BY: LGEIB DATE: 01/04/04 DATE: 01/04/24 DATE: 01/04/24	SCALE <b>2:1</b> DESIGN UNITS <b>METRIC</b> THIRD ANGLE PROJECTION	MATERIAL NO. <b>9999999999</b> DOCUMENT NO. <b>SD-30700-424</b>	SHEET NO. <b>1 OF 2</b>
		mm	INCH																		
	4 PLACES	± 0.25	± 0.010																		
3 PLACES	± 0.25	± 0.010																			
2 PLACES	± 0.13	± 0.005																			
1 PLACE	± 0.25	± 0.010																			
DRAFT WHERE APPLICABLE MUST REMAIN WITHIN DIMENSIONS		<b>24 CIRCUIT          VERTICAL HEADER ASSEMBLY          SALES DRAWING</b> <b>MOLEX INCORPORATED</b>		THIS DRAWING CONTAINS INFORMATION THAT IS PROPRIETARY TO MOLEX INCORPORATED AND SHOULD NOT BE USED WITHOUT WRITTEN PERMISSION																	

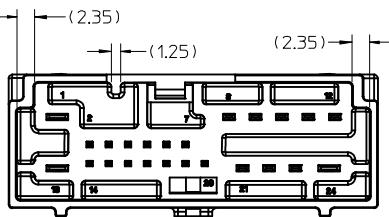
PACKAGING		POLARIZATION OPTIONS & COLOR	
ASSEMBLY P/N TRAY PACKED	ASSEMBLY P/N TUBE PACKED	VERTICAL HEADER ASSEMBLY (POLARIZATION OPTIONS)	HOUSING COLOR
30700-4240	30700-4244	POLARIZATION OPTION 'A'	GRAY
30700-4241	30700-4245	POLARIZATION OPTION 'B'	BLACK
30700-4242	30700-4246	POLARIZATION OPTION 'C'	NATURAL



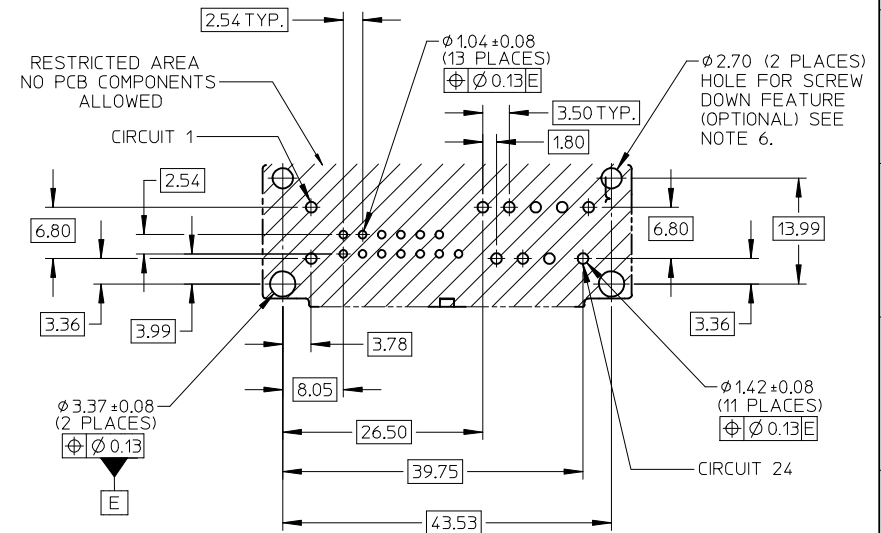
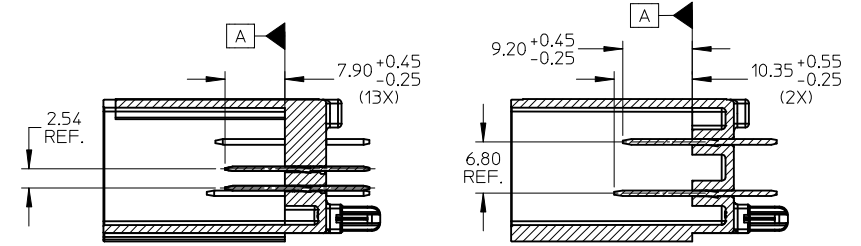
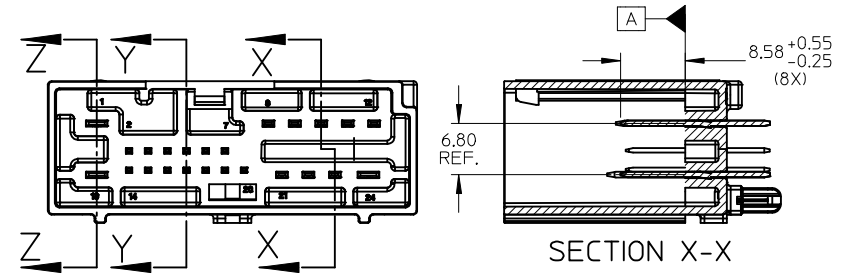
30700-4240  
POLARIZATION 'A'



30700-4241  
POLARIZATION 'B'

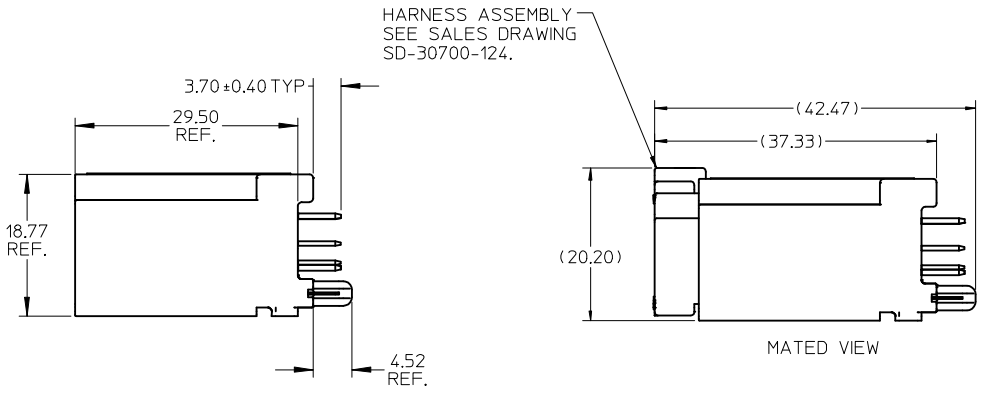
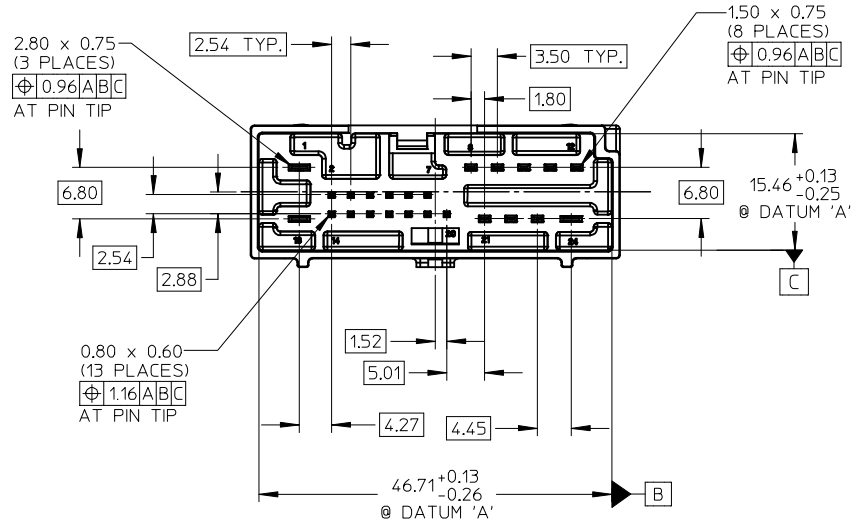
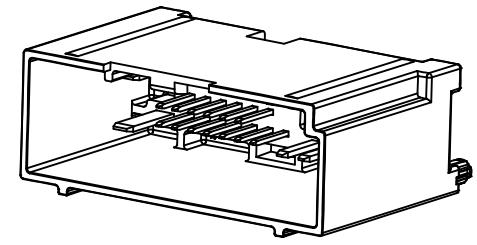
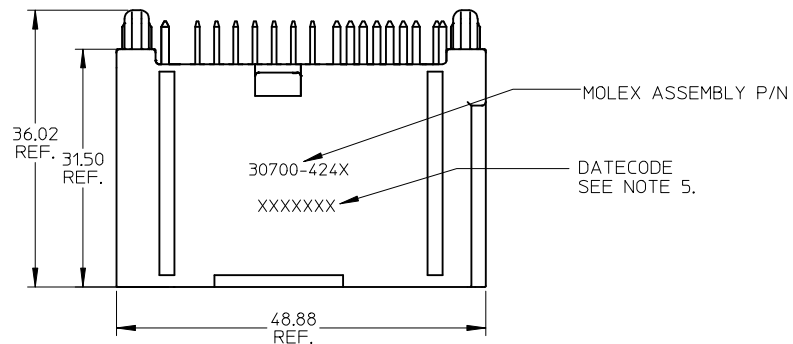


30700-4242  
POLARIZATION 'C'

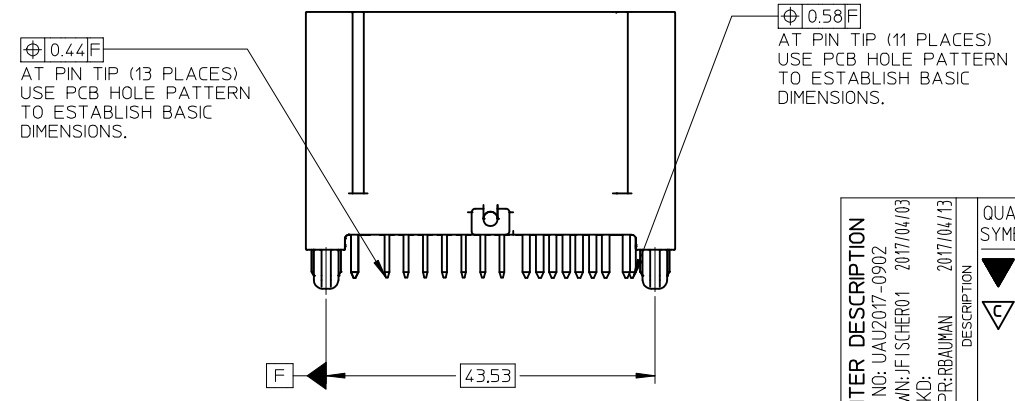


PCB LAYOUT: COMPONENT SIDE  
RECOMMENDED PCB THICKNESS: 1.57±0.17

<b>FIX PIN LENGTH TOL</b> EC NO: UAU2017-0902 DRWN: F. SCHER01 2017/04/03 CHKD: APPR: RBAUMAN 2017/04/13 REV: F3	QUALITY SYMBOLS ▽=0 ▽=0	GENERAL TOLERANCES (UNLESS SPECIFIED) <table border="1"> <thead> <tr> <th></th> <th>mm</th> <th>INCH</th> </tr> </thead> <tbody> <tr> <td>4 PLACES</td> <td>± 0.25</td> <td>± 0.010</td> </tr> <tr> <td>3 PLACES</td> <td>± 0.25</td> <td>± 0.010</td> </tr> <tr> <td>2 PLACES</td> <td>± 0.13</td> <td>± 0.005</td> </tr> <tr> <td>1 PLACE</td> <td>± 0.25</td> <td>± 0.010</td> </tr> </tbody> </table>		mm	INCH	4 PLACES	± 0.25	± 0.010	3 PLACES	± 0.25	± 0.010	2 PLACES	± 0.13	± 0.005	1 PLACE	± 0.25	± 0.010	DIMENSION STYLE <b>MM ONLY</b> DRAWN BY: R. CARLSON DATE: 01/04/04 CHECKED BY: CKRISHNA DATE: 01/04/24 APPROVED BY: LGEIB DATE: 01/04/24	SCALE: 2:1 DESIGN UNITS: METRIC THIRD ANGLE PROJECTION
		mm	INCH																
	4 PLACES	± 0.25	± 0.010																
	3 PLACES	± 0.25	± 0.010																
2 PLACES	± 0.13	± 0.005																	
1 PLACE	± 0.25	± 0.010																	
DRAFT WHERE APPLICABLE MUST REMAIN WITHIN DIMENSIONS	MATERIAL NO.: 9999999999 SIZE: C	MOLEX INCORPORATED DOCUMENT NO.: SD-30700-424	SHEET NO.: 2 OF 2																
THIS DRAWING CONTAINS INFORMATION THAT IS PROPRIETARY TO MOLEX INCORPORATED AND SHOULD NOT BE USED WITHOUT WRITTEN PERMISSION																			

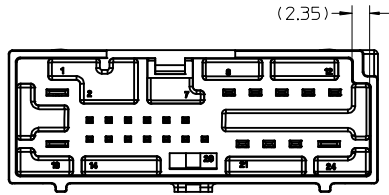


- NOTES:
- MATERIAL: HOUSING: SPS, GLASS FILLED, COLOR: SEE CHART. TERMINAL: COPPER ALLOY C26000. PIN ALIGNMENT PLATE: MYLAR, COLOR: NATURAL (WHITE).
  - FINISHES: TERMINAL: TIN (Sn) OVERALL; NICKEL (Ni) UNDERPLATE OVERALL.
  - PACKAGING SPECIFICATION : TRAY: PK-30907-261, TUBE: PK-30907-226
  - MATES WITH: SERIES 30700, SEE SALES DRAWING SD-30700-124.
  - DATECODE DESCRIPTION:
    - 1ST DIGIT: MACHINE ID# (ALWAYS WILL BE '2')
    - 2ND THROUGH 4TH DIGIT: DAY# OF THE CALENDAR YEAR (EXAMPLE: FEB. 3RD = '034')
    - 5TH DIGIT: LAST DIGIT OF THE CALENDAR YEAR (EXAMPLE: 1999 = '9')
    - 6TH THROUGH 7TH DIGIT: HOUR OF THE DAY.
  - RECOMMENDED OPTIONAL SCREW: M2 x 0.89, 6mm IN LENGTH, PAN COLLAR HEAD, 6 LOBE. TORQUE: 7 NEWTON CENTIMETERS

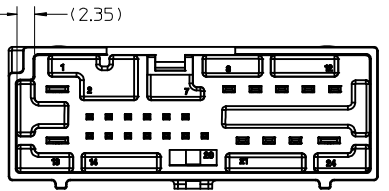


<b>ENTER DESCRIPTION</b> EC NO: UAU2017-0902 DRWN: JFSCHER01 2017/04/03 CHKD: CHPKD: 2017/04/13 APPR: RBAUMAN DESCRIPTION	QUALITY SYMBOLS $\nabla=0$ $\nabla=0$	GENERAL TOLERANCES (UNLESS SPECIFIED) <table border="1"> <tr> <th></th> <th>mm</th> <th>INCH</th> </tr> <tr> <td>4 PLACES</td> <td>± 0.25</td> <td>± 0.010</td> </tr> <tr> <td>3 PLACES</td> <td>± 0.25</td> <td>± 0.010</td> </tr> <tr> <td>2 PLACES</td> <td>± 0.13</td> <td>± 0.005</td> </tr> <tr> <td>1 PLACE</td> <td>± 0.25</td> <td>± 0.010</td> </tr> </table>		mm	INCH	4 PLACES	± 0.25	± 0.010	3 PLACES	± 0.25	± 0.010	2 PLACES	± 0.13	± 0.005	1 PLACE	± 0.25	± 0.010	DIMENSION STYLE <b>MM ONLY</b> DRAWN BY DATE RCARLSON 01/04/04 CHECKED BY DATE CKRISHNA 01/04/24 APPROVED BY DATE LGEIB 01/04/24	SCALE <b>2:1</b> DESIGN UNITS <b>METRIC</b> THIRD ANGLE PROJECTION	<b>24 CIRCUIT VERTICAL HEADER ASSEMBLY SALES DRAWING</b> <b>MOLEX INCORPORATED</b> MATERIAL NO. <b>9999999999</b> DOCUMENT NO. <b>SD-30700-424</b> SHEET NO. <b>1 OF 2</b>
		mm	INCH																	
	4 PLACES	± 0.25	± 0.010																	
	3 PLACES	± 0.25	± 0.010																	
2 PLACES	± 0.13	± 0.005																		
1 PLACE	± 0.25	± 0.010																		
DRAFT WHERE APPLICABLE MUST REMAIN WITHIN DIMENSIONS	SIZE <b>C</b>	THIS DRAWING CONTAINS INFORMATION THAT IS PROPRIETARY TO MOLEX INCORPORATED AND SHOULD NOT BE USED WITHOUT WRITTEN PERMISSION																		

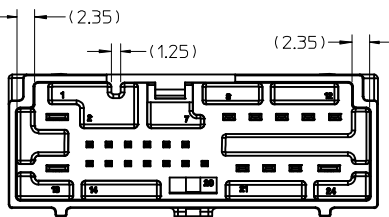
PACKAGING		POLARIZATION OPTIONS & COLOR	
ASSEMBLY P/N TRAY PACKED	ASSEMBLY P/N TUBE PACKED	VERTICAL HEADER ASSEMBLY (POLARIZATION OPTIONS)	HOUSING COLOR
30700-4240	30700-4244	POLARIZATION OPTION 'A'	GRAY
30700-4241	30700-4245	POLARIZATION OPTION 'B'	BLACK
30700-4242	30700-4246	POLARIZATION OPTION 'C'	NATURAL



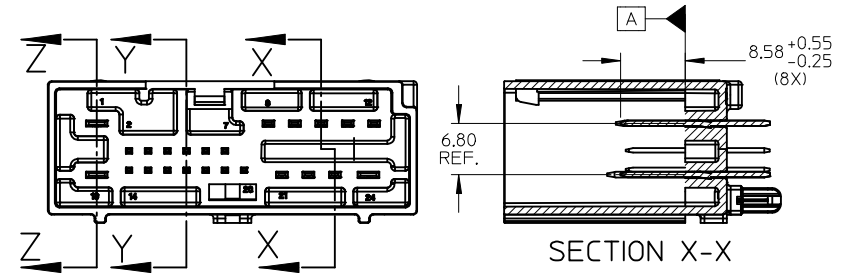
30700-4240  
POLARIZATION 'A'



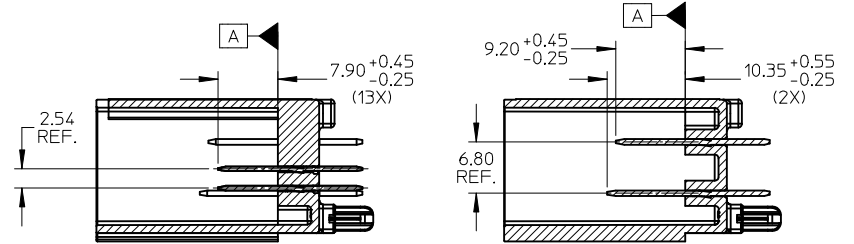
30700-4241  
POLARIZATION 'B'



30700-4242  
POLARIZATION 'C'

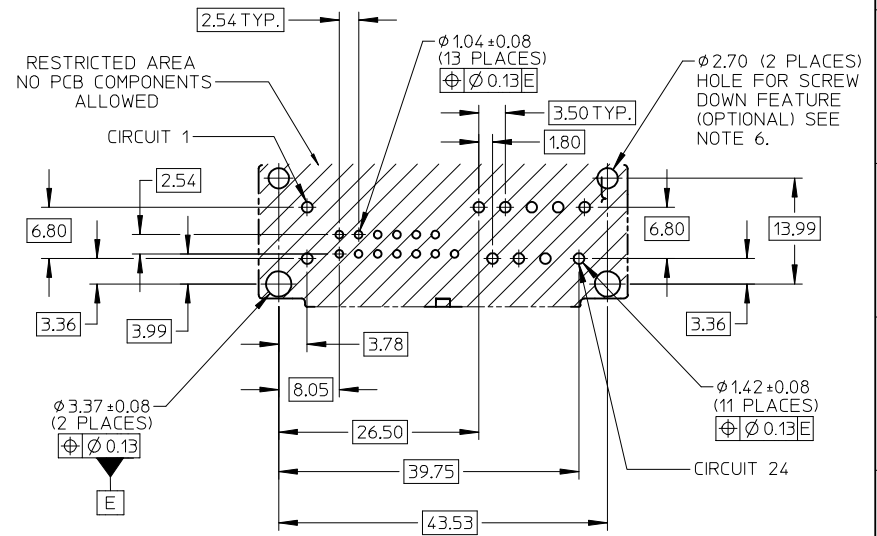


SECTION X-X



SECTION Y-Y

SECTION Z-Z



PCB LAYOUT: COMPONENT SIDE  
RECOMMENDED PCB THICKNESS: 1.57±0.17

<b>FIX PIN LENGTH TOL</b> EC NO: UAU2017-0902 DRWN: F. SCHER01 2017/04/03 CHKD: APPR: RBAUMAN 2017/04/13 REV: F3	QUALITY SYMBOLS ▽=0 ▽=0	GENERAL TOLERANCES (UNLESS SPECIFIED) <table border="1"> <thead> <tr> <th></th> <th>mm</th> <th>INCH</th> </tr> </thead> <tbody> <tr> <td>4 PLACES</td> <td>± 0.25</td> <td>± 0.010</td> </tr> <tr> <td>3 PLACES</td> <td>± 0.25</td> <td>± 0.010</td> </tr> <tr> <td>2 PLACES</td> <td>± 0.13</td> <td>± 0.005</td> </tr> <tr> <td>1 PLACE</td> <td>± 0.25</td> <td>± 0.010</td> </tr> </tbody> </table>		mm	INCH	4 PLACES	± 0.25	± 0.010	3 PLACES	± 0.25	± 0.010	2 PLACES	± 0.13	± 0.005	1 PLACE	± 0.25	± 0.010	DIMENSION STYLE <b>MM ONLY</b> DRAWN BY: RCARLSON DATE: 01/04/04 CHECKED BY: CKRISHNA DATE: 01/04/24 APPROVED BY: LGEIB DATE: 01/04/24	SCALE: 2:1 DESIGN UNITS: METRIC THIRD ANGLE PROJECTION
		mm	INCH																
	4 PLACES	± 0.25	± 0.010																
	3 PLACES	± 0.25	± 0.010																
2 PLACES	± 0.13	± 0.005																	
1 PLACE	± 0.25	± 0.010																	
DRAFT WHERE APPLICABLE MUST REMAIN WITHIN DIMENSIONS		MATERIAL NO.: 9999999999 SIZE: C	TITLE: 24 CIRCUIT VERTICAL HEADER ASSEMBLY SALES DRAWING MOLEX INCORPORATED DOCUMENT NO.: SD-30700-424 SHEET NO.: 2 OF 2																
THIS DRAWING CONTAINS INFORMATION THAT IS PROPRIETARY TO MOLEX INCORPORATED AND SHOULD NOT BE USED WITHOUT WRITTEN PERMISSION																			
PCB LAYOUT: COMPONENT SIDE RECOMMENDED PCB THICKNESS: 1.57±0.17																			