

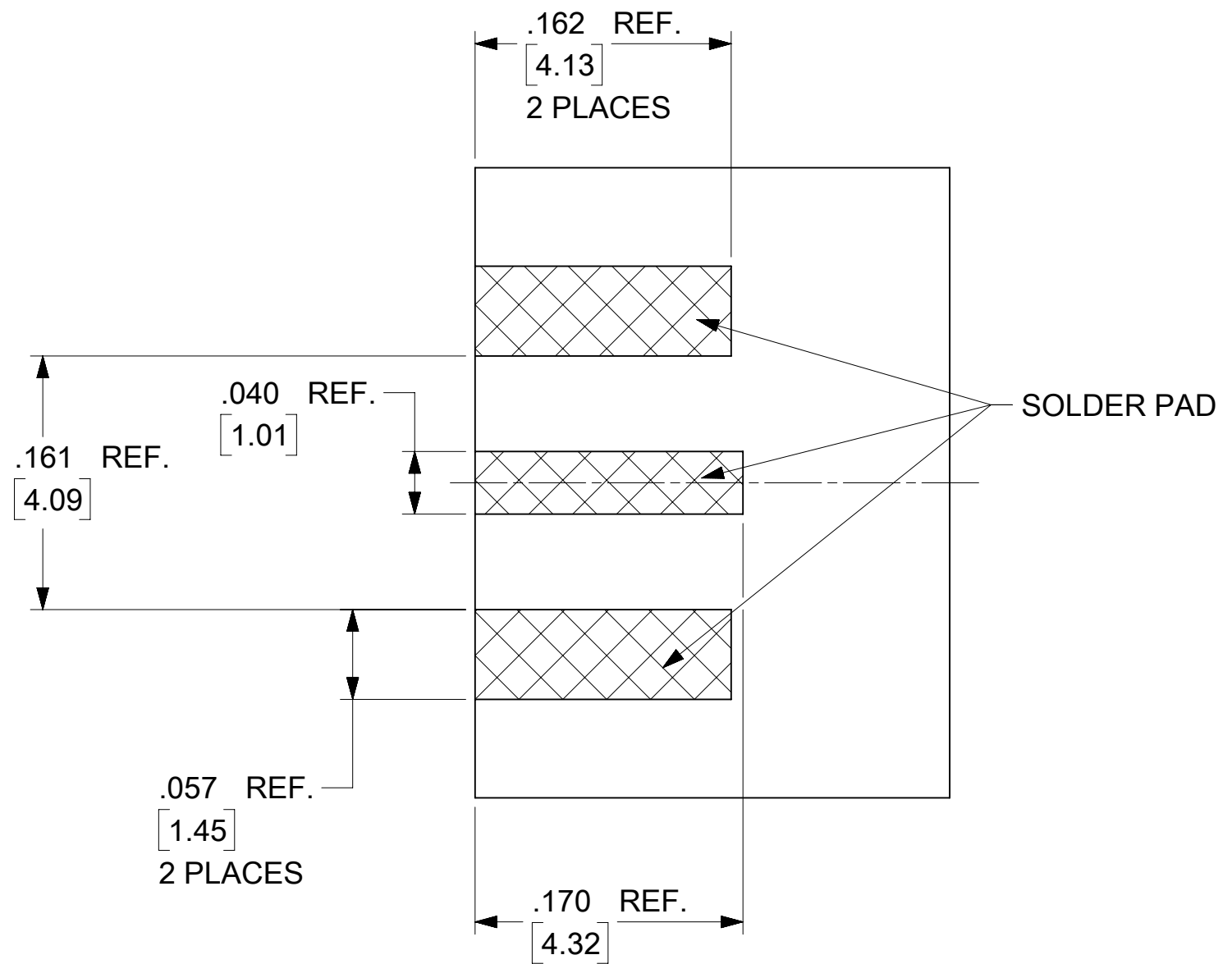
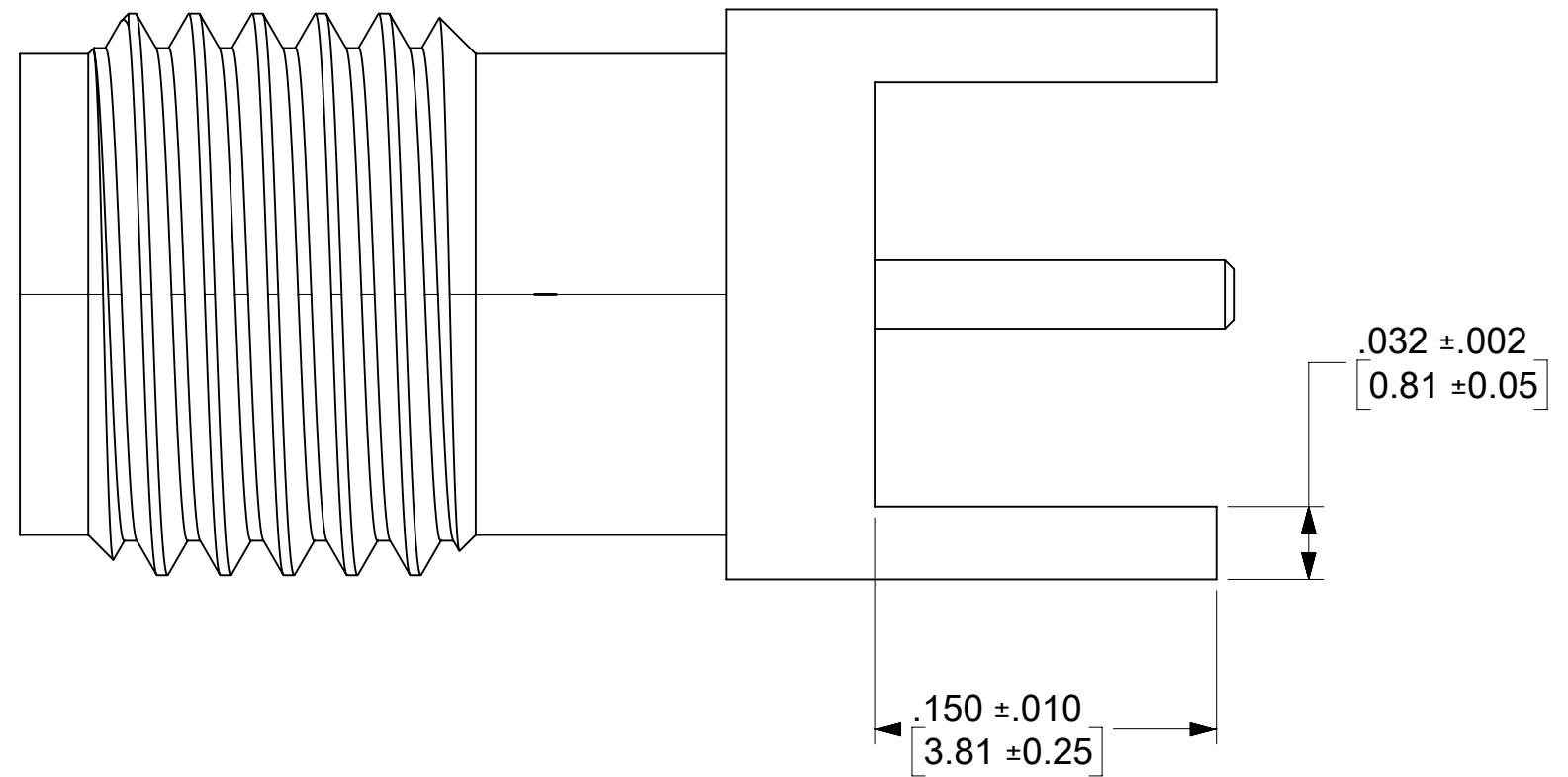
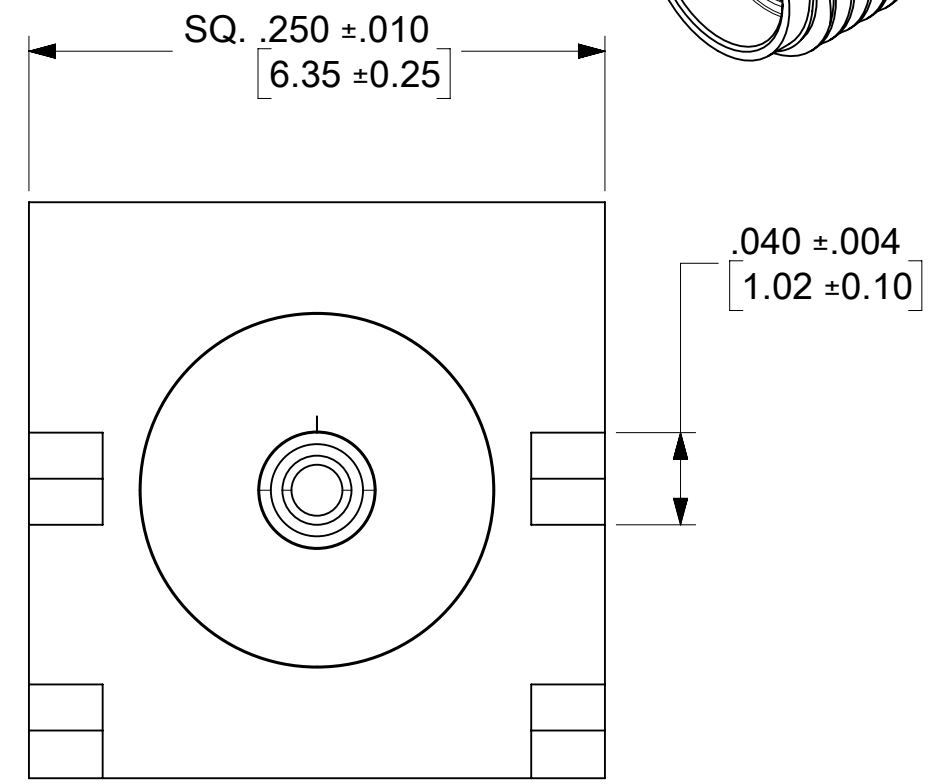
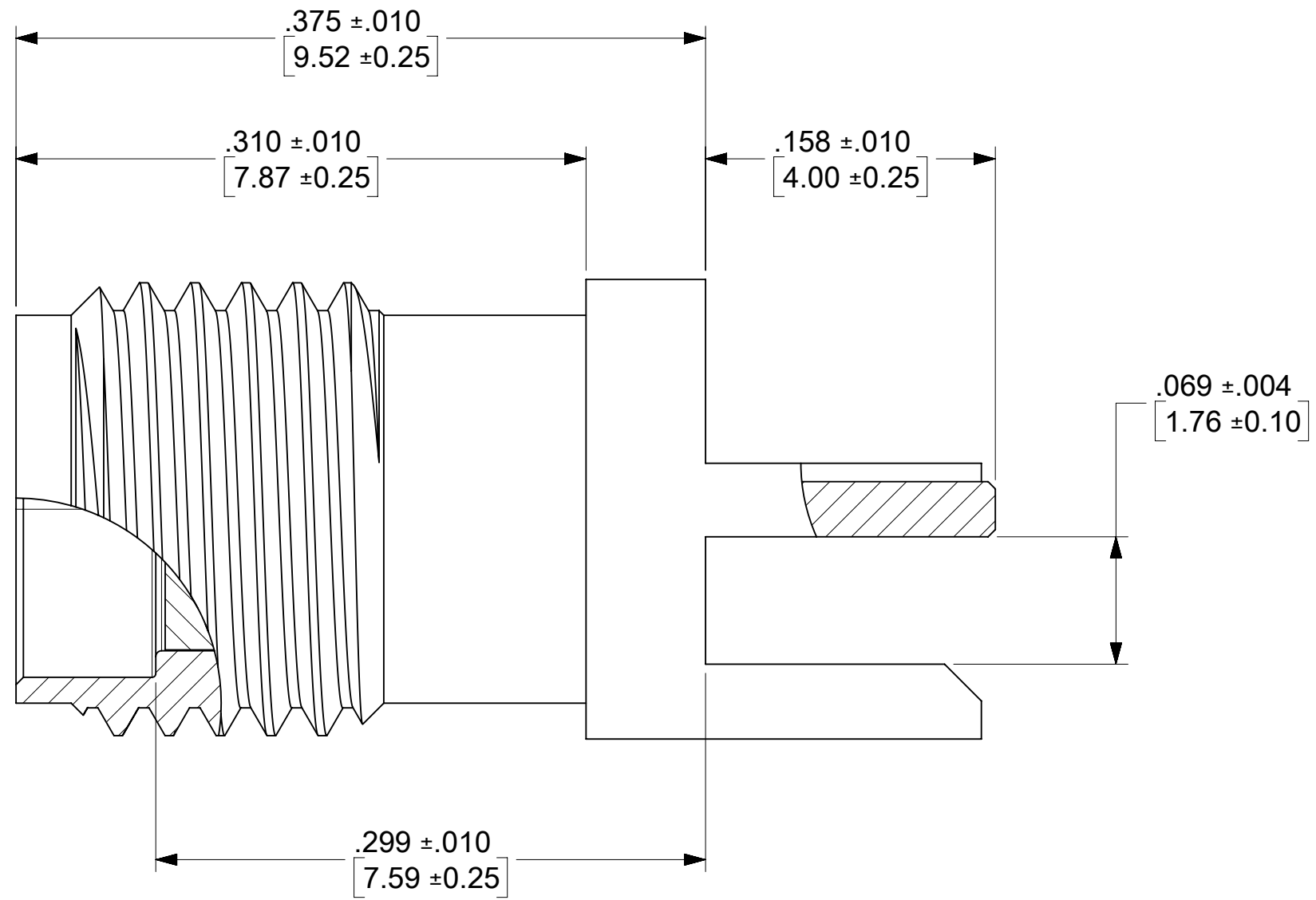
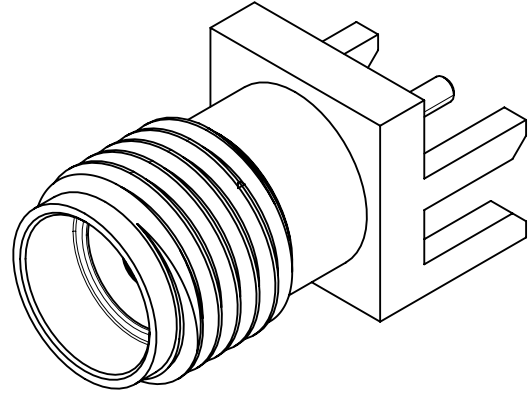
MATERIALS AND FINISHES

BODY: BRASS  
PLATED SEE TABLE

CENTER CONTACT: BERYLLIUM COPPER  
PLATED GOLD

INSULATOR: TEFLON

PACKAGE BY TRAY  
(PACKAGE SPECIFICATION 89542-0040)



RECOMMENDED PCB LAYOUT

PS-89675-3460	PRODUCT SPECIFICATION
MIL-STD-348A, FIG. 310-2	INTERFACE SMA JACK
SPECIFICATION	DESCRIPTION

73251-5461	NICKEL
73251-5460	GOLD
PART NO.	BODY

FUNCTIONAL SYMBOLS	THIS DRAWING CONTAINS INFORMATION THAT IS PROPRIETARY TO MOLEX ELECTRONIC TECHNOLOGIES, LLC AND SHOULD NOT BE USED WITHOUT WRITTEN PERMISSION										
FA = 0	DIMENSION UNITS	SCALE	CURRENT REV DESC: NEW PRODUCT PER EWR # 15054-A/PDR1007605								
FC = 0	INCH/MM	NTS									
FP = 0	GENERAL TOLERANCES (UNLESS SPECIFIED)										
DIVISIONAL SYMBOLS	ANGULAR TOL	± °	EC NO: 698213		2022/03/04		SMA JACK EDGE MOUNT 50 OHMS EWR # 15054, SMA-J/PCB				
	4 PLACES	±	DRWN: ELIN		2022/03/09		PRODUCT CUSTOMER DRAWING				
	3 PLACES	±	CHK'D: YCHENG		2022/03/09		DOCUMENT NUMBER				
	2 PLACES	±	APPR: YCHENG		2022/03/09		732515460		DOC TYPE	DOC PART	REVISION
	1 PLACE	±	INITIAL REVISION:								
	0 PLACES	±	DRWN: ELIN		2022/03/04						
			APPR: YCHENG		2022/03/09						
	DRAFT WHERE APPLICABLE MUST REMAIN WITHIN DIMENSIONS		THIRD ANGLE PROJECTION		DRAWING	SERIES	MATERIAL NUMBER	CUSTOMER	SHEET NUMBER		
					C-SIZE	73251	SEE TABLE	GENERAL MARKET	1 OF 1		

DOCUMENT STATUS	P1	RELEASE DATE	2022/03/09	08:08:44
-----------------	----	--------------	------------	----------