

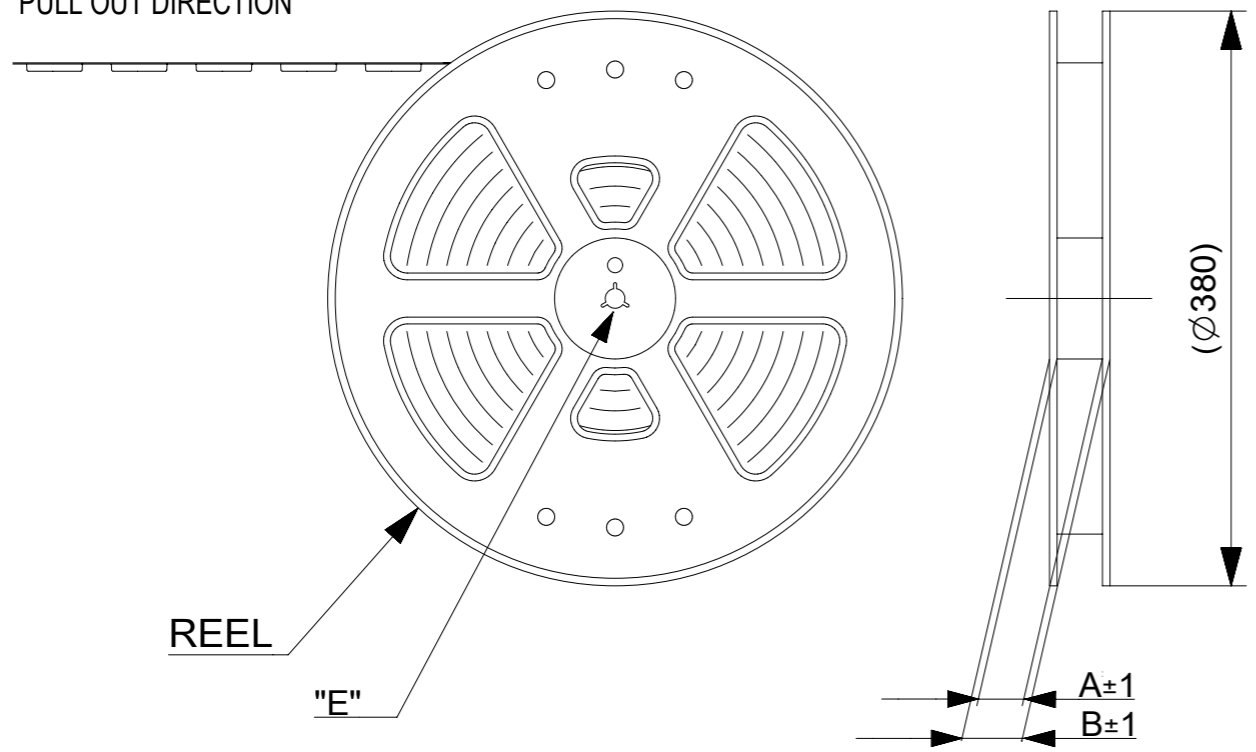
NOTES

- 1. 梱包数量 : 2000個 / リール  
NUMBER OF CONNECTORS : 2000 PCS/REEL
- 2. リードテープ長さ  
LEAD TAPE LENGTH



- 3. トッptapeの剥離強度については、IEC60286-3に準拠。  
TOP TAPE PEEL FORCE IS DEFINED BY IEC60286-3.
- 4. 製品詳細寸法については、図面781271001をご参照ください。  
REFER TO THE 781271001 ABOUT DIMENSIONS IN DETAIL.
- 5. 材料  
 キャリアテープ : ポリスチレン(PS)  
 トッptape : PET, OTHER  
 リール : ポリスチレン(PS)(リサイクル材を含む)  
 MATERIAL  
 CARRIER TAPE : POLYSTYRENE(PS)  
 TOP TAPE : PET, OTHER  
 REEL : POLYSTYRENE(PS) (RECYCLE MATERIAL CONTAINED)
- 6. 環境負荷物質の管理のため「化学物質ガイドライン(MCSS)」の内容を満足すること。  
"MOLEX CHEMICAL SUBSTANCES SPECIFICATION (MCSS)" SHALL BE APPLIED FOR MANAGEMENT OF ENVIRONMENTAL HAZARDOUS MATERIALS.

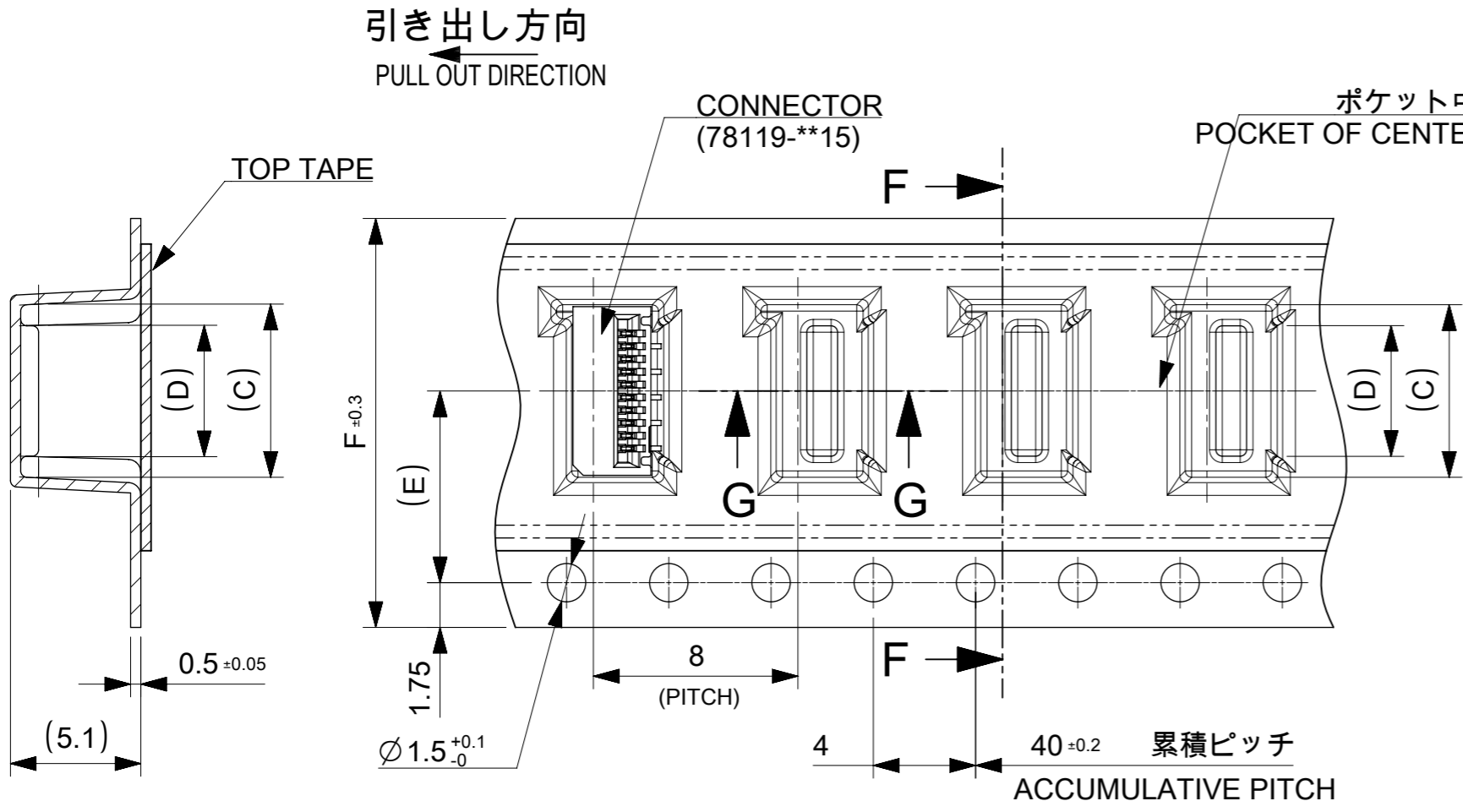
引き出し方向  
PULL OUT DIRECTION



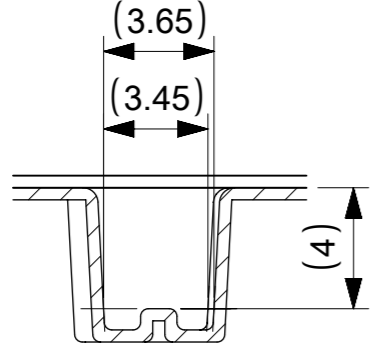
DETAIL "E"

CONNECTOR SERIES NO. 78127\*\*15

THIS DRAWING CONTAINS INFORMATION THAT IS PROPRIETARY TO MOLEX ELECTRONIC TECHNOLOGIES, LLC AND SHOULD NOT BE USED WITHOUT WRITTEN PERMISSION									
DIMENSION UNITS		SCALE		CURRENT REV DESC:				<b>molex</b>	
mm		2:1							
GENERAL TOLERANCES (UNLESS SPECIFIED)				EC NO: 681464				0.5 FPC CONN. N-ZIF ST SB EMBS TP PKG	
ANGULAR TOL ± 1.0°				DRWN: RAJMOK 2021/10/13				PRODUCT CUSTOMER DRAWING	
4 PLACES ± 0.1				CHK'D: TKON 2021/10/18				DOCUMENT NUMBER	
3 PLACES ± 0.1				APPR: SHOSHIKAWA 2021/10/18				781270001	
2 PLACES ± 0.1				INITIAL REVISION:				DOC TYPE	
1 PLACE ± 0.1				DRWN: NASANUMA 2016/06/27				PSD	
0 PLACES ± 0.1				APPR: KMORIKAWA 2016/08/02				000	
DRAFT WHERE APPLICABLE MUST REMAIN WITHIN DIMENSIONS				THIRD ANGLE PROJECTION		DRAWING		SHEET NUMBER	
				A3-SIZE		SERIES		1 OF 3	
						MATERIAL NUMBER		CUSTOMER	
						SEE TABLE			



SECTION F-F



SECTION G-G

16mm, 24mm幅キャリアテープ  
16mm, 24mm WIDTH CARRIER TAPE

24	11.5	14.1	15.8	29.4	25.4	781272810	28
		13.6	15.3			781272710	27
		13.1	14.8			781272610	26
		12.6	14.3			781272510	25
		12.1	13.8			781272410	24
		11.6	13.3			781272310	23
		11.1	12.8			781272210	22
		10.6	12.3			781272110	21
		10.1	11.8			781272010	20
		9.6	11.3			781271910	19
		9.1	10.8			781271810	18
		8.6	10.3			781271710	17
8.1	9.8	781271610	16				
7.6	9.3	781271510	15				
16	7.5	7.1	8.8	21.4	17.4	781271410	14
		6.6	8.3			781271310	13
		6.1	7.8			781271210	12
		5.6	7.3			781271110	11
		5.1	6.8			781271010	10
		4.6	6.3			781270910	9
		4.1	5.8			781270810	8
		3.6	5.3			781270710	7
3.1	4.8	781270610	6				
F TAPE WIDTH	E	D	C	B	A	EMBOSSED PACKAGE オーダー番号 ORDER NO	CIRCUIT

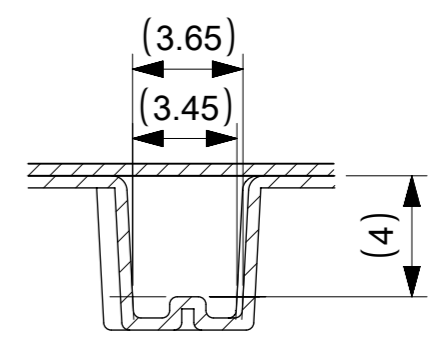
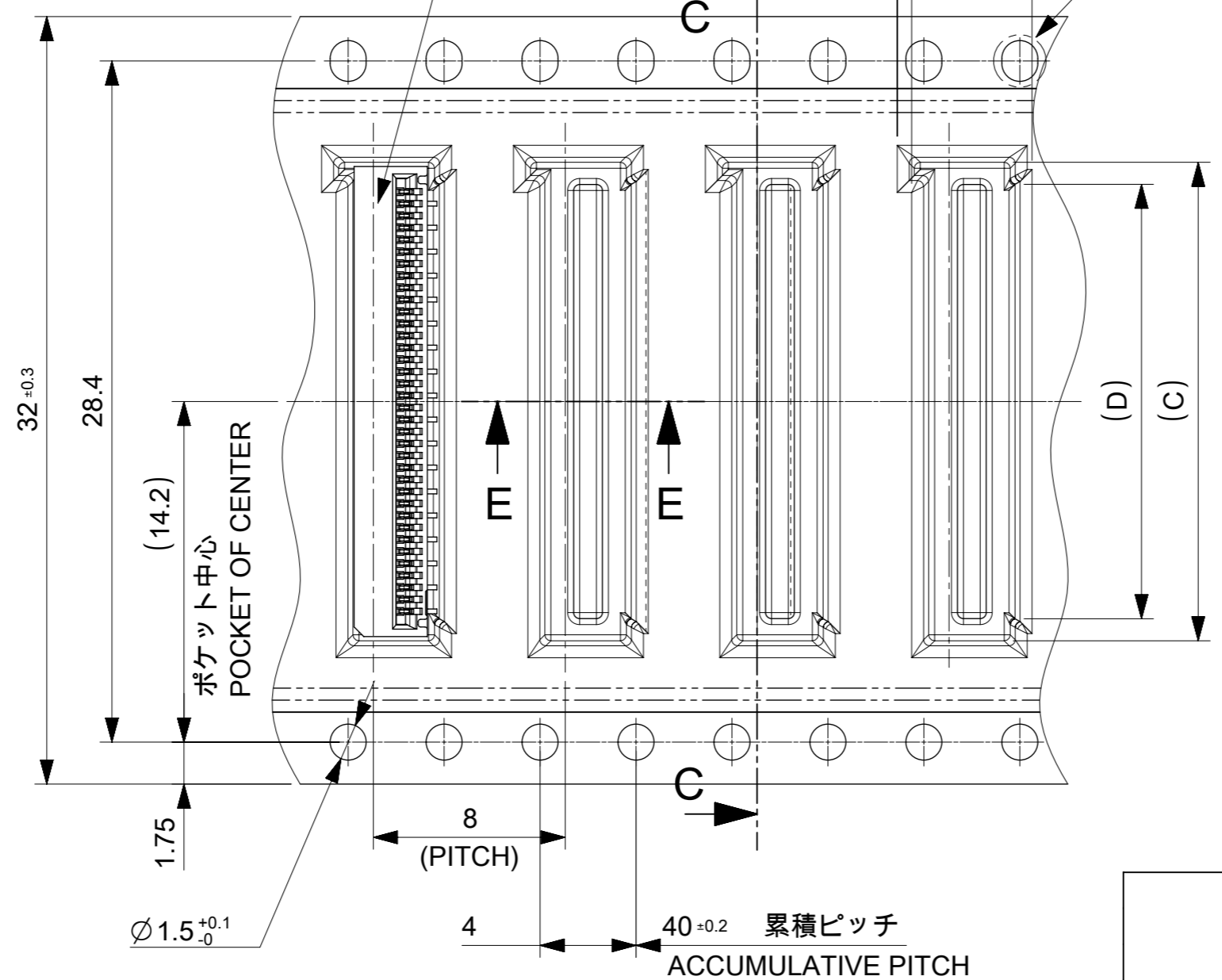
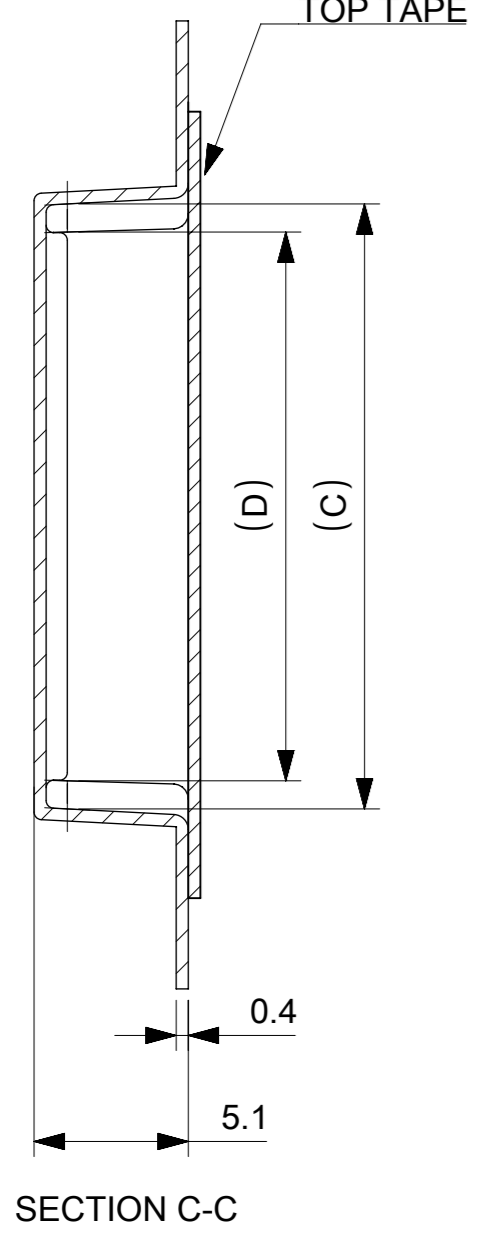
CONNECTOR SERIES NO. 78127\*\*15

THIS DRAWING CONTAINS INFORMATION THAT IS PROPRIETARY TO MOLEX ELECTRONIC TECHNOLOGIES, LLC AND SHOULD NOT BE USED WITHOUT WRITTEN PERMISSION											
DIMENSION UNITS mm		SCALE 4:1		CURRENT REV DESC:							
GENERAL TOLERANCES (UNLESS SPECIFIED)				<p><b>molex</b></p> <p>0.5 FPC CONN. N-ZIF ST SB EMBS TP PKG</p> <p>PRODUCT CUSTOMER DRAWING</p> <p>DOCUMENT NUMBER: 781270001   DOC TYPE: PSD   DOC PART: 000   REVISION: B</p>							
ANGULAR TOL ± 1.0°											
4 PLACES ± 0.1											
3 PLACES ± 0.1											
2 PLACES ± 0.1											
1 PLACE ± 0.1											
0 PLACES ± 0.1				EC NO: 681464				2021/10/13			
DRAFT WHERE APPLICABLE MUST REMAIN WITHIN DIMENSIONS				THIRD ANGLE PROJECTION				DRAWING: A3-SIZE			
SERIES: 78127				MATERIAL NUMBER: SEE TABLE				CUSTOMER: 2 OF 3			

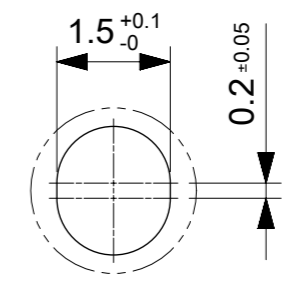
引き出し方向  
PULL OUT DIRECTION

CONNECTOR  
(78119-\*\*15)

ELV&RoHS COMPLINT



SECTION E-E



DETAIL 1  
SCALE 10:1

32	18.1	19.8	37.4	33.4	781273610	36
	17.6	19.3			781273510	35
	17.1	18.8			781273410	34
	16.6	18.3			781273310	33
	16.1	17.8			781273210	32
	15.6	17.3			781273110	31
	15.1	16.8			781273010	30
	14.6	16.3			781272910	29
TAPE WIDTH	D	C	B	A	EMBOSSED PACKAGE オーダー番号 ORDER NO	CIRCUIT

CONNECTOR SERIES NO. 78127\*\*15

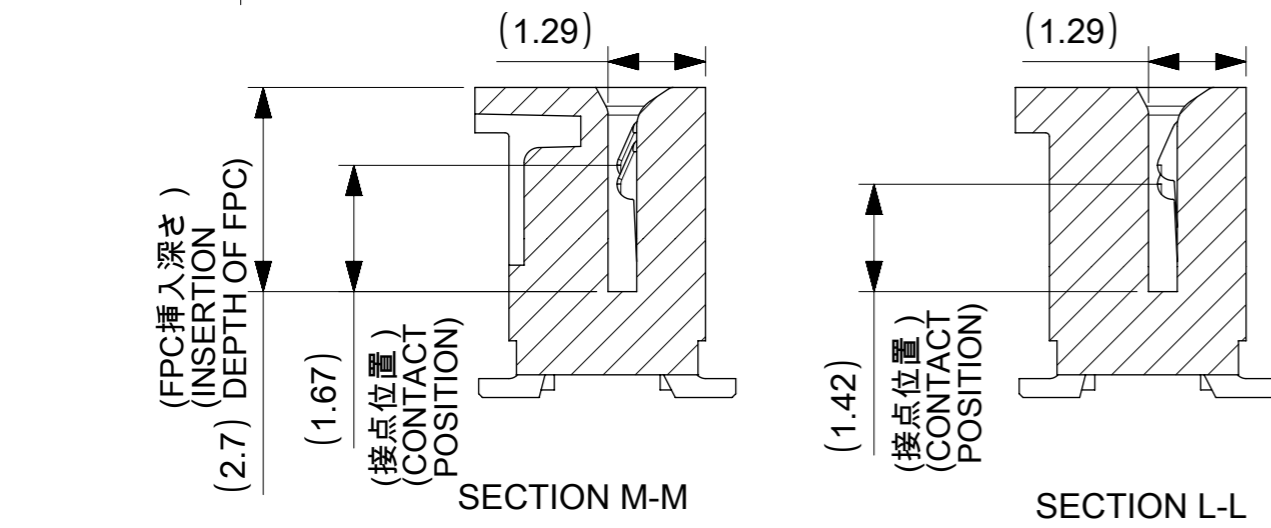
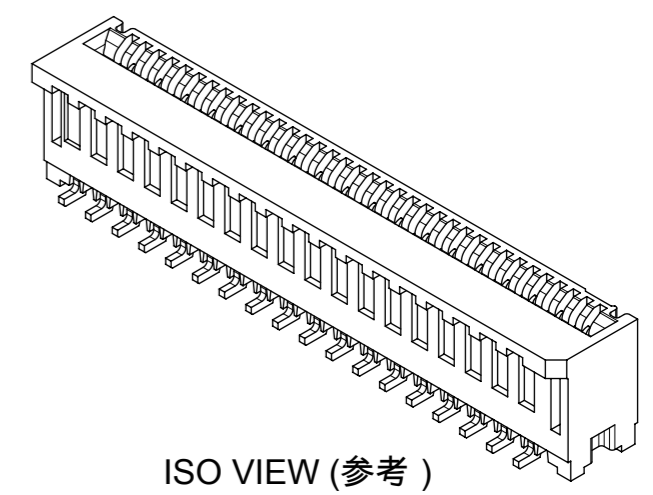
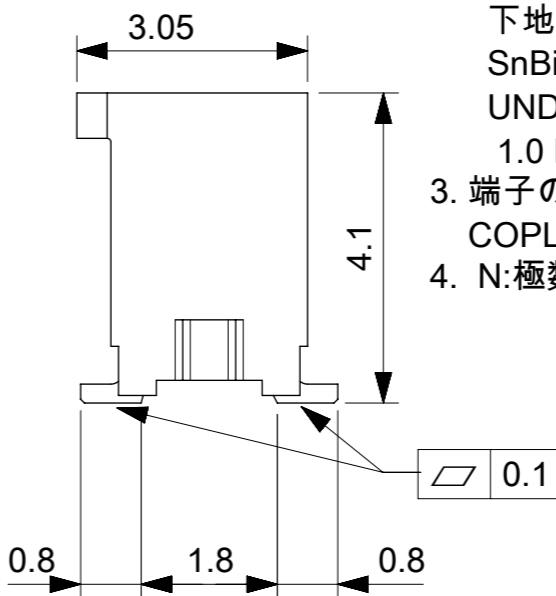
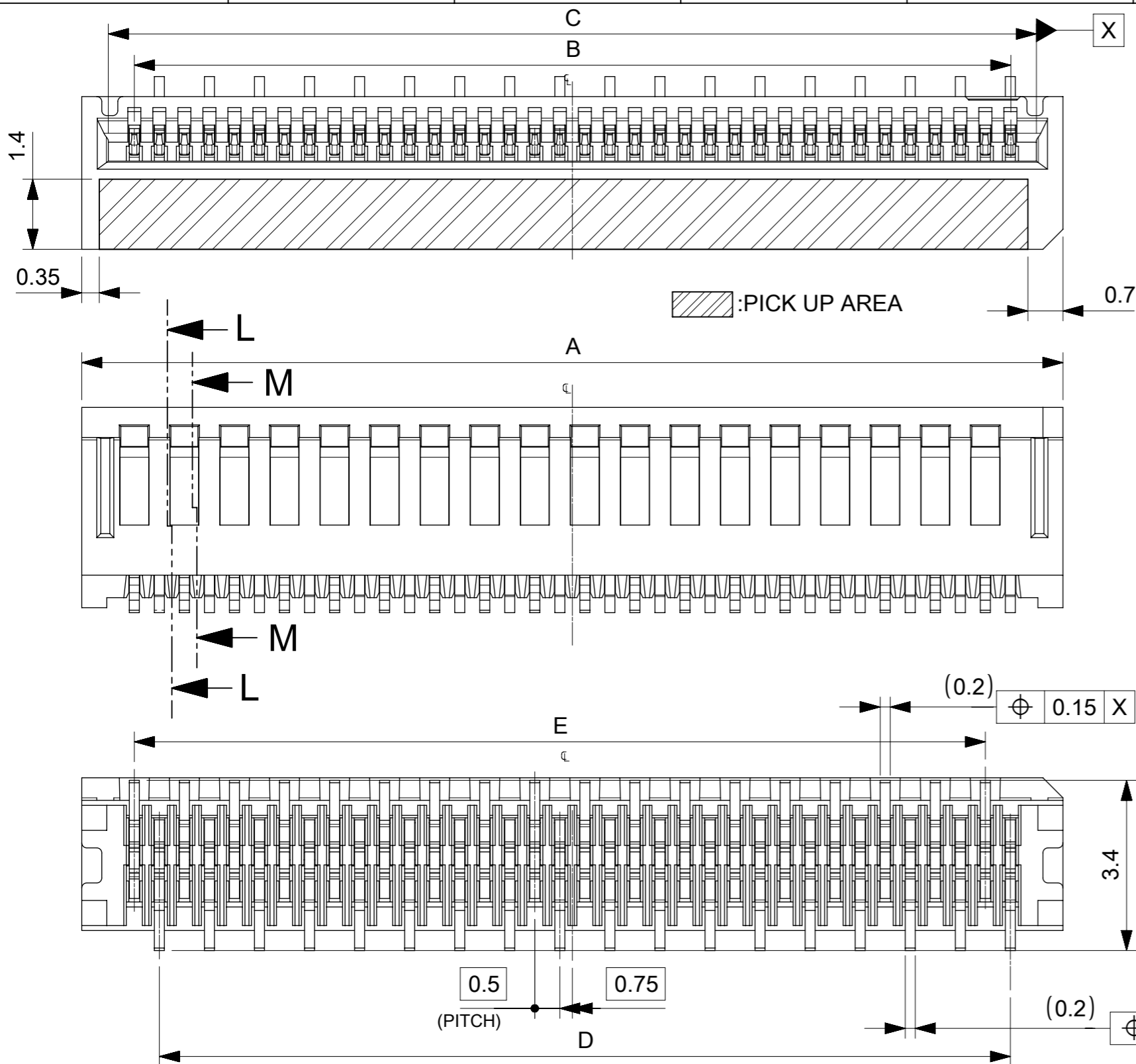
# 32mm幅キャリアテープ

## 32mm WIDTH CARRIER TAPE

THIS DRAWING CONTAINS INFORMATION THAT IS PROPRIETARY TO MOLEX ELECTRONIC TECHNOLOGIES, LLC AND SHOULD NOT BE USED WITHOUT WRITTEN PERMISSION									
DIMENSION UNITS	SCALE	CURRENT REV DESC:							
mm	4:1	<p><b>molex</b></p> <p>0.5 FPC CONN. N-ZIF ST SB EMBS TP PKG</p> <p>PRODUCT CUSTOMER DRAWING</p> <p>DOCUMENT NUMBER: 781270001   DOC TYPE: PSD   DOC PART: 000   REVISION: B</p> <p>MATERIAL NUMBER: SEE TABLE   CUSTOMER:   SHEET NUMBER: 3 OF 3</p>							
GENERAL TOLERANCES (UNLESS SPECIFIED)									
ANGULAR TOL	± 1.0 °								
4 PLACES	± 0.1								
3 PLACES	± 0.1								
2 PLACES	± 0.1								
1 PLACE	± 0.1								
0 PLACES	± 0.1	EC NO: 681464	2021/10/13						
DRAFT WHERE APPLICABLE MUST REMAIN WITHIN DIMENSIONS		DRWN: NASANUMA	2016/06/27						
THIRD ANGLE PROJECTION		APPR: KMORIKAWA	2016/08/02						
DRAWING		SERIES		MATERIAL NUMBER		CUSTOMER		SHEET NUMBER	
A3-SIZE		78127		SEE TABLE				3 OF 3	

**NOTES**

1. 使用材料 MATERIALS  
 ハウジング : 液晶ポリマー(LCP)  
 ガラス充填、UL94V-0、黒色  
 端子 : リン青銅 t=0.2mm  
 HOUSING : LIQUID CRYSTAL POLYMER(LCP)  
 GLASS FILLED, UL94V-0, BLACK  
 TERMINAL : PHOSPHOR BRONZE t=0.2mm
2. メッキ仕様 PLATING  
 端子 TERMINAL  
 錫ビスマスメッキ 1.0µm以上  
 下地 : ニッケルメッキ 1.0µm以上  
 SnBi PLATING 1.0 MICROMETER MINIMUM  
 UNDER PLATING: Nickel PLATING  
 1.0 MICROMETER MINIMUM
3. 端子の平坦度はテール部にて0.1mm以下とする。  
 COPLANALITY OF SOLDER TAILS: 0.1mm MAX.
4. N: 極数 N: CIRCUIT



CONNECTOR SERIES NO. 78127\*\*15

THIS DRAWING CONTAINS INFORMATION THAT IS PROPRIETARY TO MOLEX ELECTRONIC TECHNOLOGIES, LLC AND SHOULD NOT BE USED WITHOUT WRITTEN PERMISSION			
EC NO: 107065	DRWN: NASANUMA	CHK'D: YKOBAYASHI02	APPR: KMORIKAWA
2016/01/12	2016/08/01	2016/08/02	
GENERAL TOLERANCES (UNLESS SPECIFIED)		DIMENSION UNITS	SCALE
ANGULAR TOL ± 0.5 °		MM	10:1
4 PLACES ± 0.01	3 PLACES ± 0.01	DRWN BY	DATE
2 PLACES ± 0.02	1 PLACE ± 0.05	NASANUMA	2016/01/12
0 PLACES ± 0.05		CHK'D BY	DATE
		YKOBAYASHI02	2016/08/01
DRAFT WHERE APPLICABLE MUST REMAIN WITHIN DIMENSIONS		APPR BY	DATE
		KMORIKAWA	2016/08/02
		DRAWING SIZE	THIRD ANGLE PROJECTION
		A3	
<b>molex</b>			
0.5 PITCH NON-ZIF CONN. SMT ST ASSY			
PRODUCT CUSTOMER DRAWING			
SERIES	MATERIAL NUMBER	CUSTOMER	
78127			
DOCUMENT NUMBER	DOC TYPE	DOC PART	SHEET NUMBER
781271001	PSD	000	1 OF 3



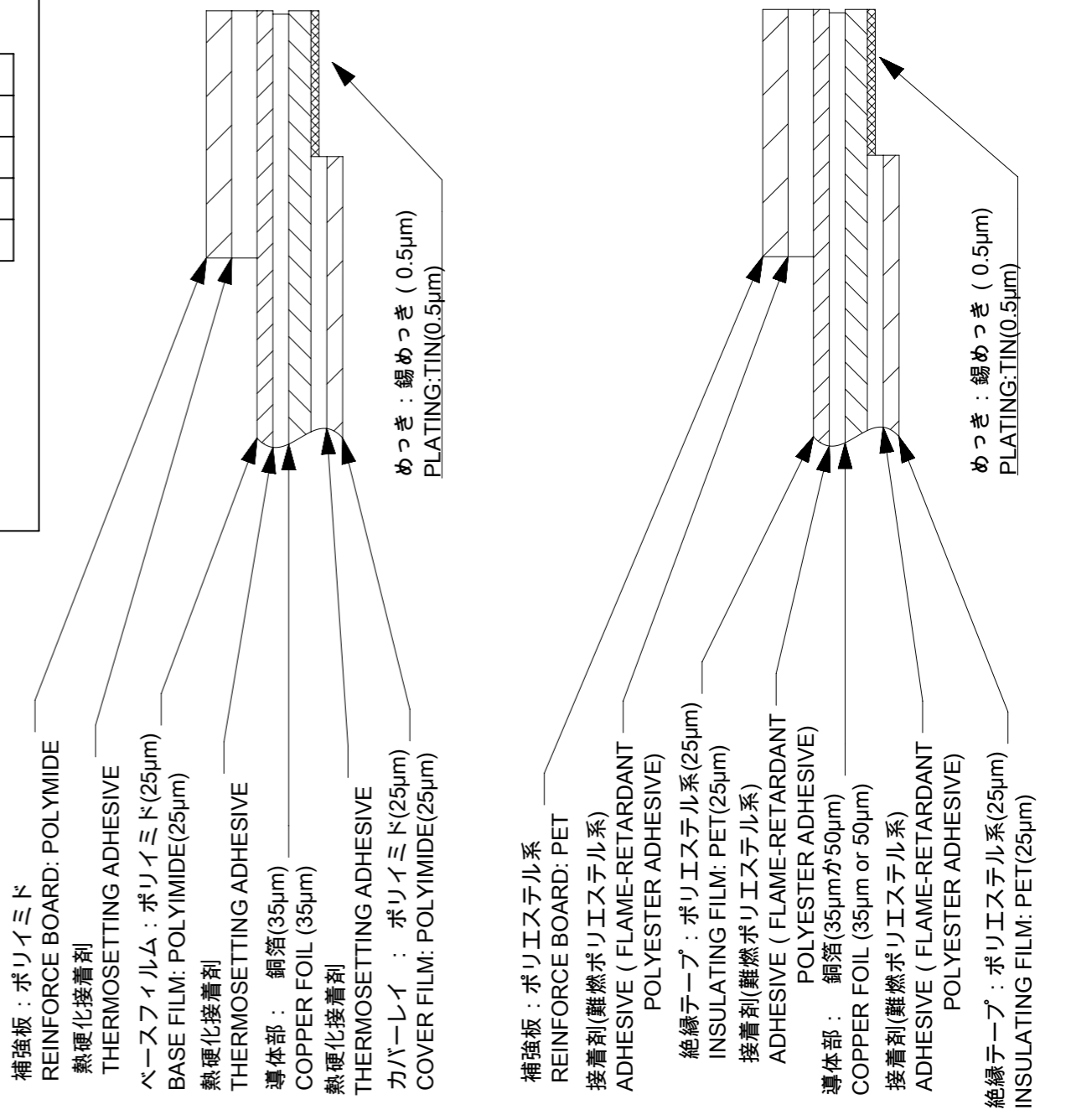
ELV & RoHS COMPLIANT

FPC/FFCについて  
打抜き方向は導体側から補強版側を推奨します。  
導体部については軟箔銅35μmまたは、50μmを推奨いたします。  
接着剤の接点部への付着は導通不良の原因になりますので、染み出し無きことを推奨いたします。  
FPC/FFCに規定された定格温度が、FPC/FFC単体前提である場合が御座います。  
コネクタと組み合わせての実使用において、接着層が劣化する等の信頼性を満足できないケースを回避する為、  
実機での評価 / 確認をお願い致します。

ABOUT FPC/FFC  
RECOMMENDED PUNCHING DIRECTION: FROM CONDUCTOR SIDE TO STIFFENER SIDE.  
RECOMMENDED CONDUCTOR SPEC: SOFT COPPER FOIL.  
RECOMMENDED CONDUCTOR THICKNESS: 35 MICROMETER OR 50 MICROMETER.  
RECOMMENDED PUT APPROPRIATE AMOUNT OF ADHESIVE ON ADHEREND BECAUSE THERE IS  
A POSSIBILITY THAT EXTRA ADHESIVE CAUSES THE DEFECT IN ELECTRICAL CONTINUITY.  
THE HEAT RESISTANCE OF FPC/FFC IS ONLY FPC/FFC SPEC.  
TO PREVENT THE CASE THAT RELIABILITY CANNOT BE SATISFIED (THE ADHESIVE IS  
DETERIORATED etc.) PLEASE DO THE EVALUATION AND THE CONFIRMATION  
WITH ACTUAL CONNECTOR.

FPCについて  
補強フィルム材は、ポリイミドを推奨します。ベースフィルムは25μmを推奨します。  
接着剤は熱硬化接着剤を推奨します。

ABOUT FPC  
RECOMMENDED STIFFENER MATERIAL: POLYIMIDE.  
RECOMMENDED BASE FILM THICKNESS: 25 MICROMETER.  
RECOMMENDED ADHESIVE: THERMOSETTING ADHESIVE.



FPC構成推奨仕様  
STRUCTURE OF FPC

FFC構成推奨仕様  
STRUCTURE OF FFC

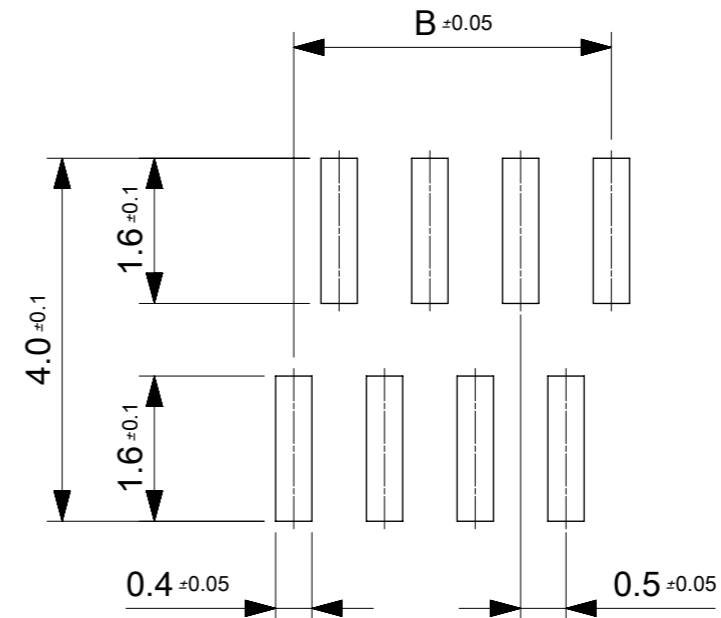
THIS DRAWING CONTAINS INFORMATION THAT IS PROPRIETARY TO MOLEX ELECTRONIC TECHNOLOGIES, LLC AND SHOULD NOT BE USED WITHOUT WRITTEN PERMISSION

EC NO: 107065 DRWN: NASANUMA CHK'D: YKOBAYASHI02 APPR: KMORIKAWA	2016/01/12	GENERAL TOLERANCES (UNLESS SPECIFIED)		DIMENSION UNITS	SCALE	
	2016/08/01	ANGULAR TOL ± 0.5 °		MM	12:1	
	2016/08/02	4 PLACES	± 0.01	DRWN BY	DATE	
		3 PLACES	± 0.01	NASANUMA	2016/01/12	
		2 PLACES	± 0.02	CHK'D BY	DATE	
	1 PLACE	± 0.05	YKOBAYASHI02	2016/08/01		
	0 PLACES	± 0.05	APPR BY	DATE		
			KMORIKAWA	2016/08/02		
			DRAFT WHERE APPLICABLE MUST REMAIN WITHIN DIMENSIONS	DRAWING SIZE	THIRD ANGLE PROJECTION	
				A3		

PRODUCT CUSTOMER DRAWING			
SERIES	MATERIAL NUMBER	CUSTOMER	
78127			
DOCUMENT NUMBER	DOC TYPE	DOC PART	SHEET NUMBER
781271001	PSD	000	2 OF 3

17	17	18.6	17.5	19.6	781273610	36
16	17	18.1	17	19.1	781273510	35
16	16	17.6	16.5	18.6	781273410	34
15	16	17.1	16	18.1	781273310	33
15	15	16.6	15.5	17.6	781273210	32
14	15	16.1	15	17.1	781273110	31
14	14	15.6	14.5	16.6	781273010	30
13	14	15.1	14	16.1	781272910	29
13	13	14.6	13.5	15.6	781272810	28
12	13	14.1	13	15.1	781272710	27
12	12	13.6	12.5	14.6	781272610	26
11	12	13.1	12	14.1	781272510	25
11	11	12.6	11.5	13.6	781272410	24
10	11	12.1	11	13.1	781272310	23
10	10	11.6	10.5	12.6	781272210	22
9	10	11.1	10	12.1	781272110	21
9	9	10.6	9.5	11.6	781272010	20
8	9	10.1	9	11.1	781271910	19
8	8	9.6	8.5	10.6	781271810	18
7	8	9.1	8	10.1	781271710	17
7	7	8.6	7.5	9.6	781271610	16
6	7	8.1	7	9.1	781271510	15
6	6	7.6	6.5	8.6	781271410	14
5	6	7.1	6	8.1	781271310	13
5	5	6.6	5.5	7.6	781271210	12
4	5	6.1	5	7.1	781271110	11
4	4	5.6	4.5	6.6	781271010	10
3	4	5.1	4	6.1	781270910	9
3	3	4.6	3.5	5.6	781270810	8
2	3	4.1	3	5.1	781270710	7
2	2	3.6	2.5	4.6	781270610	6

E	D	C	B	A	EMBOSSED PACKAGE	CIRCUIT
オーダー番号 ORDER NO.						



推奨基板レイアウト  
RECOMMENDED PCB LAYOUT

参考マスク厚:100μm  
参考開口率:100%  
REFERENCE SCREEN THICKNESS:100  
REFERENCE SCREEN OPEN RATIO:100%

CONNECTOR SERIES NO. 78127\*\*15

THIS DRAWING CONTAINS INFORMATION THAT IS PROPRIETARY TO MOLEX ELECTRONIC TECHNOLOGIES, LLC AND SHOULD NOT BE USED WITHOUT WRITTEN PERMISSION									
EC NO: 107065 DRWN: NASANUMA CHK'D: YKOBAYASHI02 APPR: KMORIKAWA	GENERAL TOLERANCES (UNLESS SPECIFIED)			DIMENSION UNITS	SCALE	<b>molex</b>			
	ANGULAR TOL ± 0.5 °			MM	12:1				
	4 PLACES ± 0.01	NASANUMA		DATE		0.5 PITCH NON-ZIF CONN. SMT ST ASSY			
	3 PLACES ± 0.01	YKOBAYASHI02		2016/01/12					
	2 PLACES ± 0.02	YKOBAYASHI02		DATE		PRODUCT CUSTOMER DRAWING			
	1 PLACE ± 0.05	KMORIKAWA		2016/08/01					
0 PLACES ± 0.05	KMORIKAWA		DATE		SERIES: 78127 MATERIAL NUMBER: 781271001 CUSTOMER: PSD 000				
DRAFT WHERE APPLICABLE MUST REMAIN WITHIN DIMENSIONS			DRAWING SIZE	THIRD ANGLE PROJECTION					
A	REV	A3			THIRD ANGLE PROJECTION		SHEET NUMBER: 3 OF 3		