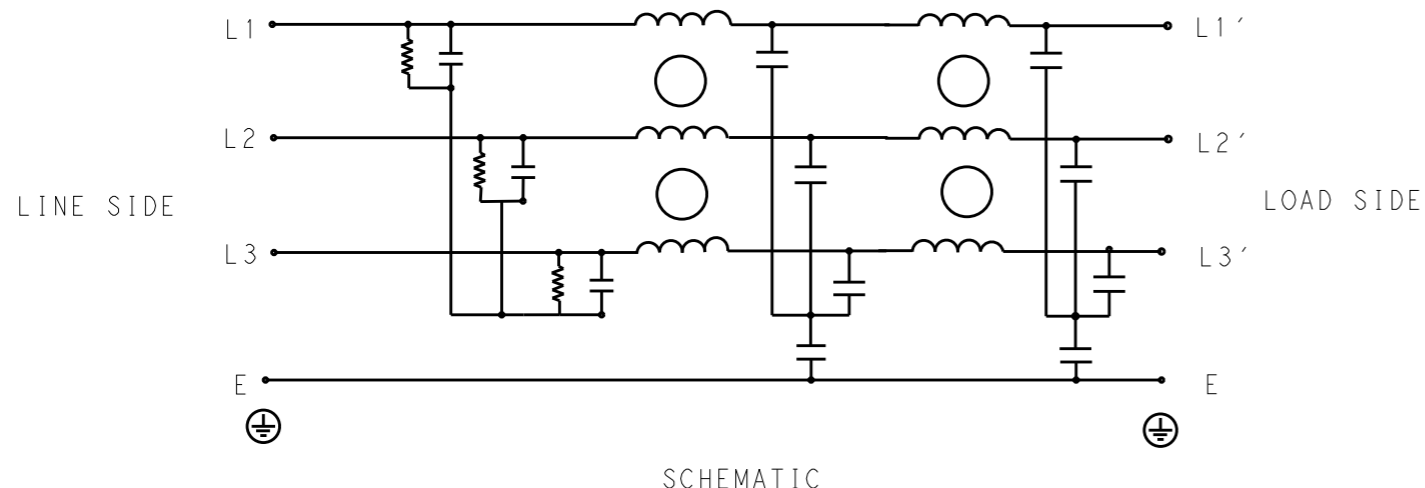
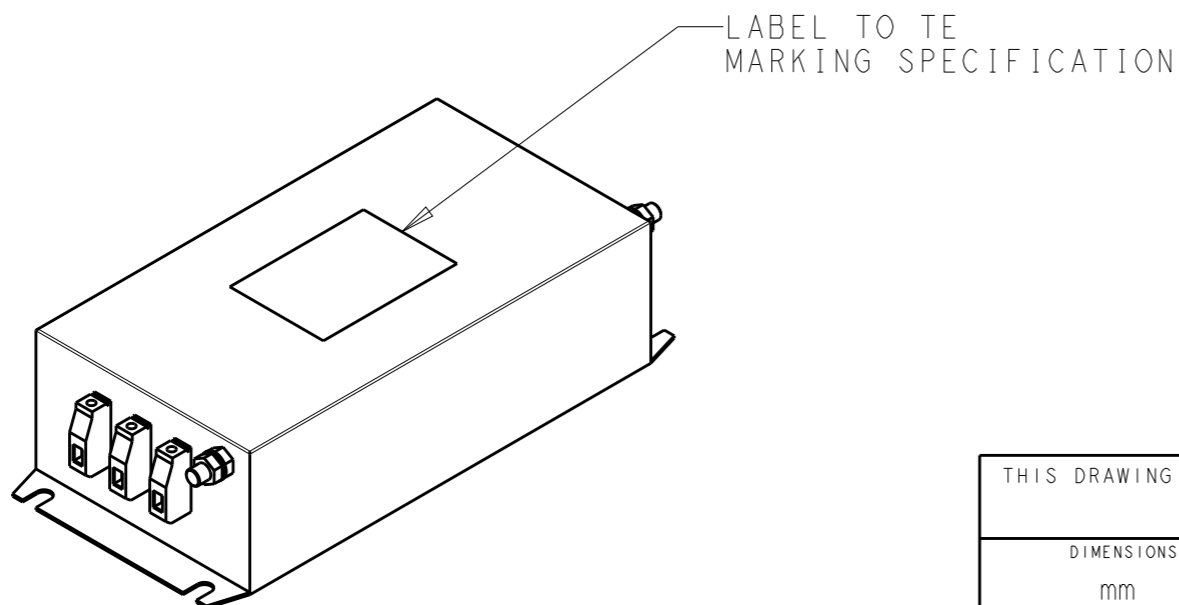


P	LTR	DESCRIPTION	DATE	DWN	APVD
	B	INITIAL RELEASE	08JUL2020	SB	LI



TYPICAL INSERTION LOSS
COMMON MODE 50/50Ω; DIFFERENTIAL MODE 50/50Ω

MHz	0.01	0.05	0.15	0.5	1	3	5	10	30
CM	3	8	35	77	68	57	51	42	28
DM	28	29	32	75	66	46	37	27	25



SAFETY ORGANIZATIONS

THIS FILTER WILL BE FORMALLY RECOGNIZED, CERTIFIED OR APPROVED BY THE LISTED AGENCY. THEREFORE, ALL TEST/REQUIREMENTS SPECIFIED IN THE LATEST REVISION OF THE FOLLOWING AGENCY STANDARDS WILL BE MET:

UL RECOGNIZED* 100A 440V 50Hz/60Hz 40°C
 CSA CERTIFIED** 100A 440V 50Hz/60Hz 40°C

*31 JULY 2020 ; **31 AUGUST 2020

OPERATING SPECIFICATION

LINE CURRENT/VOLTAGE: 100A, 440VAC
 LINE FREQUENCY: 50/60Hz

MAXIMUM LEAKAGE CURRENT: 6mA @ 230VAC, 50Hz

OPERATING AMBIENT TEMPERATURE RANGE @ RATED CURRENT: -25°C TO +40°C

IN AN AMBIENT, T_a, HIGHER THAN 40°C, THE MAXIMUM OPERATING CURRENT, I_o, IS AS FOLLOWS:

$$I_o = I_r \sqrt{\frac{85 - T_a}{45}}$$

RELIABILITY SPECIFICATIONS

STORAGE TEMPERATURE: -40°C TO +85°C
 HUMIDITY: 21 DAYS @ 40°C AND 95% RH

TEST SPECIFICATIONS

INDUCTANCE, NOMINAL: 0.2mH

CAPACITANCE @ 1kHz

LINE TO GROUND, NOMINAL: 0.19μF
 LINE TO LINE, NOMINAL: 3.3μF

DISCHARGE RESISTOR

L/L I.R. 2MΩ 2W
 L/N I.R. XXX
 L/G I.R. 1MΩ 2W
 N/G I.R. XXX
 IR (NO DISCHARGE RESISTOR) 20°C, 50% RH AND 100VDC, MIN: 6MΩ

RECOMMENDED RECEIVING INSPECTION HIPOT

LINE TO GROUND FOR 1 MINUTE: 2632VDC
 LINE TO LINE FOR 1 MINUTE: 1892VDC

FILTER APPROVAL

THE BEST WAY TO SELECT AND QUALIFY A FILTER IS FOR YOUR ENGINEERING TO TEST THE UNIT IN YOUR EQUIPMENT.

THIS DRAWING IS A CONTROLLED DOCUMENT.		DWN	27FEB2020	TE TE Connectivity
		CHK	27FEB2020	
		APVD	27FEB2020	
		NAME	LEO IRUDHAYARAJ	
DIMENSIONS:		TOLERANCES UNLESS OTHERWISE SPECIFIED:		PRODUCT SPEC
mm				APPLICATION SPEC
		0 PLC	±0.5	WEIGHT
		1 PLC	±0.40	
		2 PLC	±0.130	
		3 PLC	±0.0500	
MATERIAL		FINISH		SCALE
				1:4
				SHEET
				1 OF 2
				REV
				B

SIZE	CAGE CODE	DRAWING NO	RESTRICTED TO
A3	00779	1-1609969-6	-

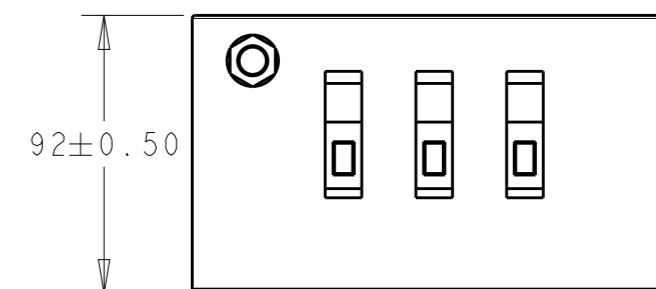
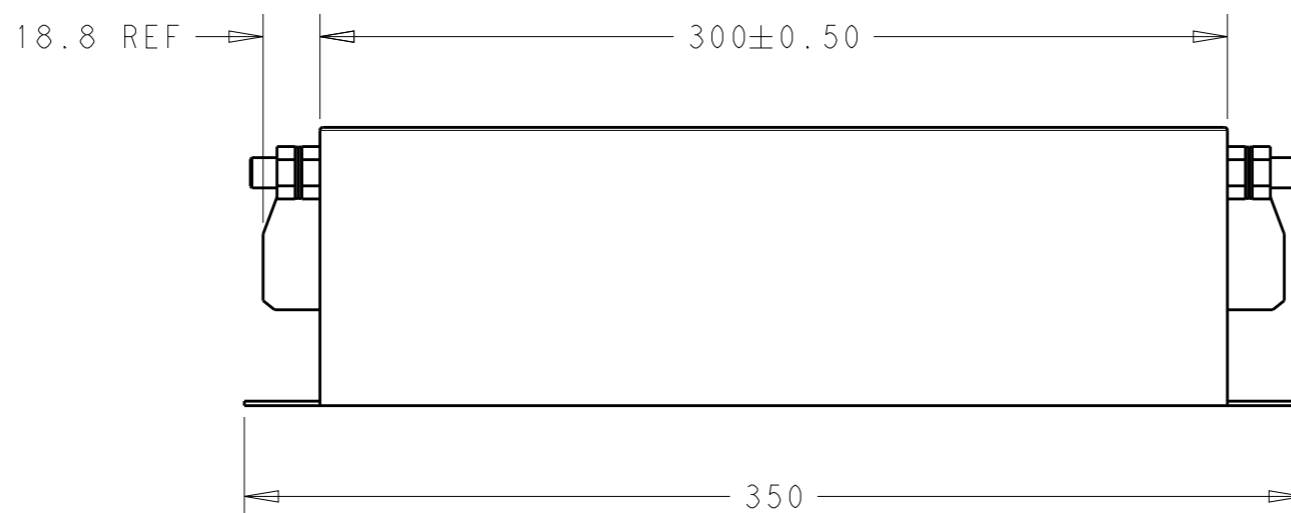
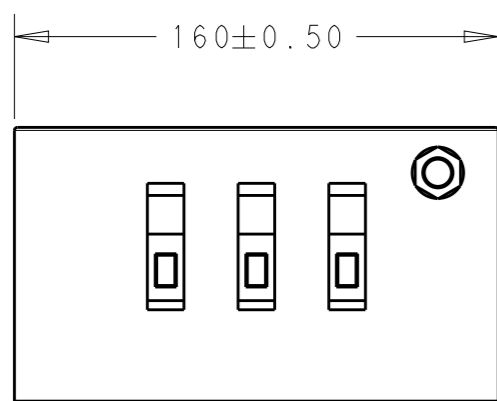
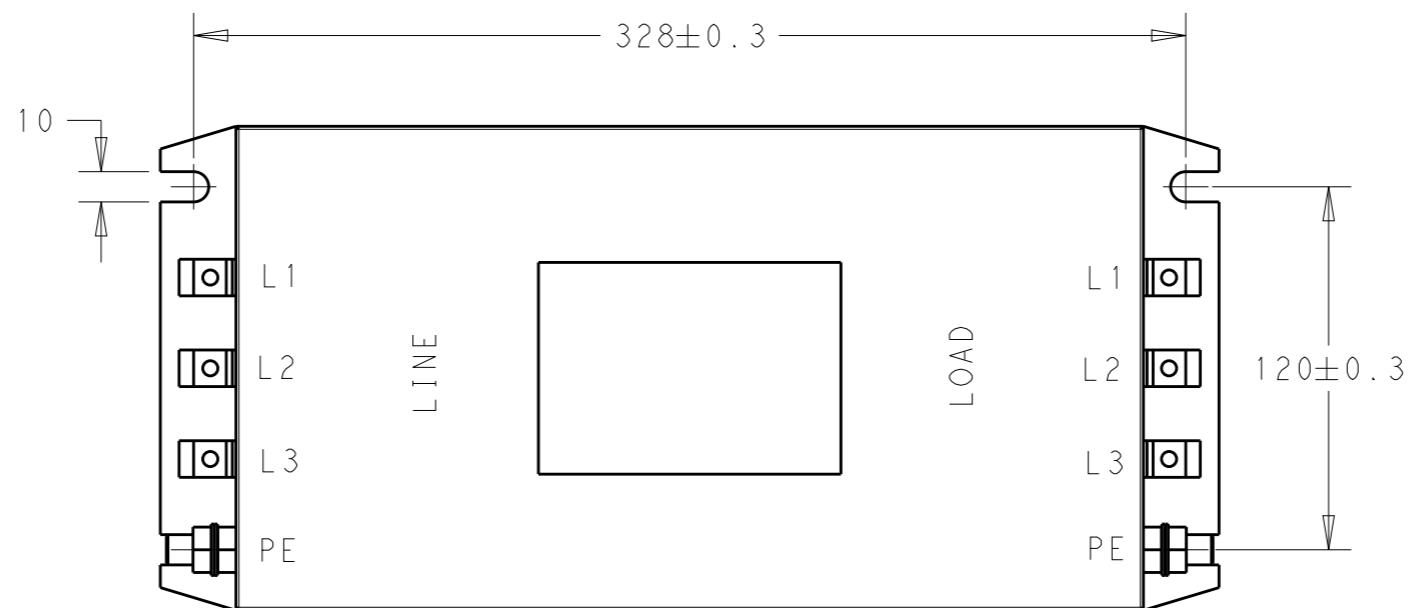
© 2020 TE Connectivity. All Rights Reserved.

NOTE 1 GROUND CONNECTION:
 DO NOT LOOSEN INNER GROUND NUTS.
 TORQUE OUTER TERMINAL SCREWS: 2 Nm / 18 in lbs
 TORQUE GROUND NUTS: 4-10Nm

NOTE 2 INPUT OUTPUT CONNECTION TERMINAL
 AWG SIZE: 8-4 AWG
 WIRE SECTION: 25 mm²
 THREADED BOLT SIZE FOR GROUND: M10

REVISIONS

P	LTR	DESCRIPTION	DATE	DWN	APVD
		SEE SHEET 1			



THIS DRAWING IS A CONTROLLED DOCUMENT.		DWN SHRICHARANA B 27FEB2020														
DIMENSIONS: mm		CHK LEO IRUDHAYARAJ 27FEB2020														
TOLERANCES UNLESS OTHERWISE SPECIFIED:		APVD LEO IRUDHAYARAJ 27FEB2020	NAME POWER LINE FILTER 100KEHD10AFPD													
<table border="1"> <tr><td>0 PLC</td><td>±-</td></tr> <tr><td>1 PLC</td><td>±0.5</td></tr> <tr><td>2 PLC</td><td>±0.40</td></tr> <tr><td>3 PLC</td><td>±0.130</td></tr> <tr><td>4 PLC</td><td>±0.0500</td></tr> <tr><td>ANGLES</td><td>±-</td></tr> </table>		0 PLC	±-	1 PLC	±0.5	2 PLC	±0.40	3 PLC	±0.130	4 PLC	±0.0500	ANGLES	±-	PRODUCT SPEC -	RESTRICTED TO -	
0 PLC	±-															
1 PLC	±0.5															
2 PLC	±0.40															
3 PLC	±0.130															
4 PLC	±0.0500															
ANGLES	±-															
MATERIAL -		FINISH -	APPLICATION SPEC -	SIZE A3												
-		WEIGHT -	CAGE CODE 00779	DRAWING NO 1-1609969-6												
CUSTOMER DRAWING			SCALE 2:5	SHEET 2 OF 2												
			REV B													